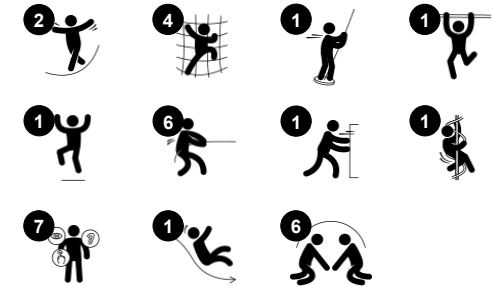


Mega Deck with Banister Bars

NRO1025



Item no. NRO1025-1021	
General Product Information	
Dimensions LxWxH	587x498x417 cm
Age group	4+
Play capacity (users)	16
Colour options	



The Mega Deck Play Tower is a fun-filled tower that keeps the kids entertained for hours. With its fun selection of scaled play challenges and meeting points, it stimulates all children to play again and again. The accessible stairway leads to a lower slide, finishing with a practical loop for those with assistive devices or assistants. A play desk adds a ground-level destination and

a great place to socialise. The tower can be climbed in multiple ways: via the stair, the vertical climbing wall with window openings to decks, or the net. Climbing trains major muscle groups and cross-coordination which stimulates cross-modal perception, necessary for reading. For daredevils, the banister bars add an exciting and fast way to ground level,

with the slide providing a smoother ride to the ground. Both train spatial awareness, which is important for managing the world securely.



Data is subject to change without prior notice.

Mega Deck with Banister Bars

NRO1025



Climbing wall

Physical: supports cross coordination and leg, arm and hand strength. Climbing through the hole trains proprioception. **Social-Emotional:** children develop courage when climbing up high. This positively affects self-confidence.



Accessible stairway

Physical: climbing the accessible stairway is for all and supports cross coordination as well as arm and leg muscles. **Social-Emotional:** room for active breaks and adult helpers. An inclusive space.



Slide

Physical: develops spatial awareness, sense of balance and trains core muscles when sitting upright going down. **Social-Emotional:** empathy stimulated by turn-taking.



Banister bars

Physical: supports coordination, arm and core muscles. Landing strengthens bone density **Social-Emotional:** turn-taking and risk-taking.



Side desk

Social-Emotional: fine meeting place and a space creator. Sharing and cooperation from both sides to create a social scenario that supports communication and cooperation.

Mega Deck with Banister Bars

NRO1025



All organic Robinia products by KOMPAN are made of Robinia wood which is sourced from sustainable plantation farms. On request it can be supplied as FSC® Certified (FSC® C004450).



The paint used for coloured components is water based, which is environmentally friendly and has excellent UV resistance. The paint complies with Australian Standards.



The product/activities are preassembled from the factory to ensure all safety requirements are considered.

Item no. NRO1025-1021

Installation Information

Max. fall height	210 cm
Safety surfacing area	47.0 m ²
Total installation time	36.9
Excavation volume	1.67 m ³
Concrete volume	0.17 m ³
Footing depth (standard)	100 cm
Shipment weight	1,713 kg
Anchoring options	In-ground ✓

Warranty Information

Robinia Wood	15 years
Ropes & Nets	10 years
Spare Parts Guarantee	10 years
Stainless Steel Components	Lifetime
Stainless Steel Components	Lifetime



The slide is made of moulded PE, which has excellent impact strength and is suitable for hot climates.



The hardware is made of stainless steel or galvanised steel to ensure durable connections that has high corrosion resistance.



The Robinia products come in a number of standard colour options. The wood can also be supplied as untreated or with brown painted with a pigment that maintains the wood colour.



Sustainability Data

NRO1025



Cradle to Gate A1-A3	Total CO ₂ emission	CO ₂ e/kg	Recycled materials
	kg CO ₂ e	kg CO ₂ e/kg	%
NRO1025-1021	535.31	0.38	4.39

The overall framework applied for these factors is the Environmental Product Declaration (EPD), which quantifies "environmental information on the life cycle of a product and enable comparisons between products fulfilling the same function" (ISO, 2006). This follows the structure and applies a Life-Cycle Assessment approach to the entire Product stage from raw material through manufacturing (A1-A3))

Kompan A/S
 C.F. Tietgens Boulevard 32C
 DK-5220 Odense SØ
 Denmark



Verification of CO₂ calculation of: Nature play



Data version no. 2023-10-05

The CO₂ calculation and data are in compliance with the principles of a carbon footprint impact according to the GHG protocol (Greenhouse Gas Protocol), Scope 3, cradle to gate related to all individual components in the product category: "Nature play" represented by item no.: NRO409-0621.

(Scope 3 emissions include emission sources in the upstream and downstream value chain).

Date: 30. October 2023 | Valid until: 30. October 2025

Verified by:

Julie Marie Vejsgaard Larsen, LCA & EPD Consultant

Verification based on report: Validation of CO₂ calculation of 9 categories of Kompan product line, version 1.0, prepared by: Bureau Veritas HSE, Denmark: Julie M. V. Larsen.

Publication date: 30. October 2023

By Bureau Veritas HSE
 www.bureauveritas.dk
 +45 7731 1000

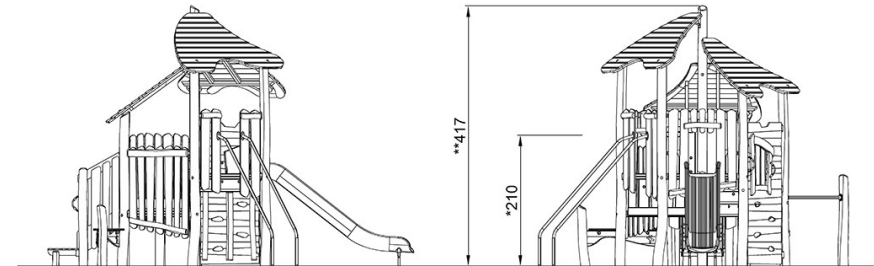
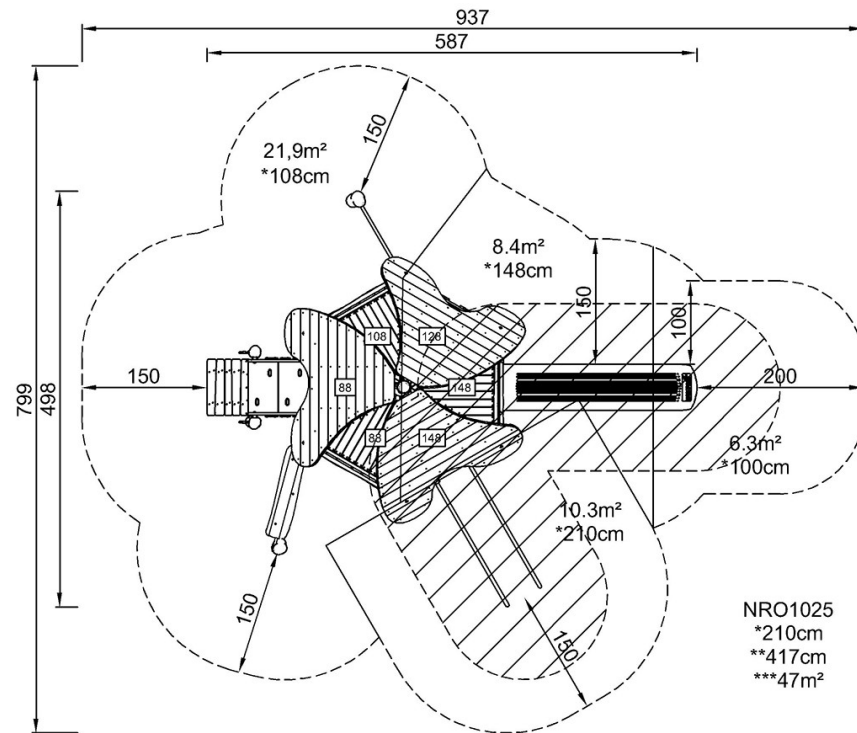


Mega Deck with Banister Bars

NRO1025

* Max fall height | ** Total height | *** Safety surfacing area

* Max fall height | ** Total height



[Click to see TOP VIEW](#)

[Click to see SIDE VIEW](#)