

Rotating Sand Table


PCM501



The Rotating Sand Table is a wonderful sand play experience for children: the lower table can be turned, so that sand or other materials can be shifted through the holes or down on a platform. The upper table has a sand bowl for mixing materials. There is a sieve to filter materials through and a funnel to shift materials from the upper to the lower table. The

lower table can be turned to transport materials around to friends on the opposite side of the table. All these play options stimulate an understanding of cause and effect in the child, that feeds into logical thinking skills: if the lower table is turned, materials can be collected or discharged from the higher table. A wealth of manufacturing possibilities in the Rotating

Table, producing or transporting, motivate cooperation and dramatic play, and thus communication skills.

| | |
|------------------------------------|---|
| Item no. PCM501-0501 | |
| General Product Information | |
| Dimensions LxWxH | 66x60x64 cm |
| Age group | 2 - 5 |
| Play capacity (users) | 2 |
| Colour options |  |



Rotating Sand Table

PCM501



Desk with bowl and sieve

Social-Emotional: children can gather and store materials, cooperate and take a break together. **Creative:** sand can be shifted through the sieve, for understanding of cause and effect and object permanence.



Rotating table

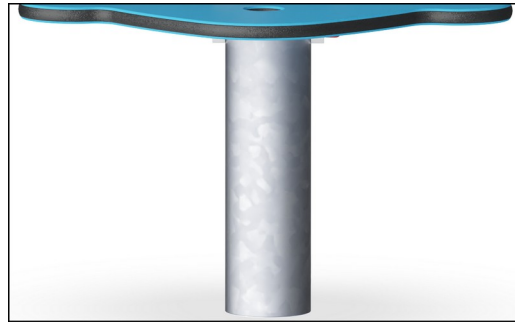
Cognitive: the rotating element stimulate cause and effect understanding and logical thinking.

Rotating Sand Table

PCM501



Panels of 19mm EcoCore™. EcoCore™ is a highly durable, eco friendly material, which is not only recyclable after use, but also consists of material produced from +95% recycled post consumer material from food packing waste.



The steel surfaces are hot dip galvanized inside and outside with lead free zinc. The galvanization has excellent corrosion resistance in outside environments and requires low maintenance.



Play activities like the shouter is made of injection molded high quality UV-stabilized nylon (PA6). The binoculars are made of PUR.



Sand strainer is made of high-quality stainless steel to ensure durability of the product.

| Item no. PCM501-0501 | |
|----------------------------|--------------------------|
| Installation Information | |
| Max. fall height | 0 cm |
| Safety surfacing area | 0.0 m ² |
| Total installation time | 1.1 |
| Excavation volume | 0.18 m ³ |
| Concrete volume | 0.00 m ³ |
| Footing depth (standard) | 46 cm |
| Shipment weight | 32 kg |
| Anchoring options | In-ground ✓ Surface ✓ |
| Warranty Information | |
| EcoCore HDPE | Lifetime |
| Hot dip galvanised steel | Lifetime |
| Solid plastic parts | 10 years |
| Spare parts guaranteed | 10 years |
| Stainless steel components | Lifetime |

| Elevated activities 0 | Accessible elevated activities | Accessible ground level activities | Accessible ground level play types |
|-----------------------|--------------------------------|------------------------------------|------------------------------------|
| Present | 0 | 1 | 1 |
| Required | 0 | 1 | 1 |



Sustainability Data

PCM501



| Cradle to Gate A1-A3 | Total CO ₂ emission | CO ₂ e/kg | Recycled materials |
|----------------------|--------------------------------|-------------------------|--------------------|
| | kg CO ₂ e | kg CO ₂ e/kg | % |
| PCM501-0501 | 37.75 | 1.65 | 56.44 |

The overall framework applied for these factors is the Environmental Product Declaration (EPD), which quantifies "environmental information on the life cycle of a product and enable comparisons between products fulfilling the same function" (ISO, 2006). This follows the structure and applies a Life-Cycle Assessment approach to the entire Product stage from raw material through manufacturing (A1-A3))

Kompan A/S
 C.F. Tietgens Boulevard 32C
 DK-5220 Odense SØ
 Denmark



Verification of CO₂ calculation of: Themed play systems



Data version no. 2023-10-05

The CO₂ calculation and data are in compliance with the principles of a carbon footprint impact according to the GHG protocol (Greenhouse Gas Protocol), Scope 3, cradle to gate related to all individual components in the product category: "Themed play systems" represented by item no.: MSC641100-3717P.

(Scope 3 emissions include emission sources in the upstream and downstream value chain).

Date: 30. October 2023 | Valid until: 30. October 2025

Verified by:

Julie Marie Vejsgaard Larsen, LCA & EPD Consultant

Verification based on report: Validation of CO₂ calculation of 9 categories of Kompan product line, version 1.0, prepared by: Bureau Veritas HSE, Denmark: Julie M. V. Larsen.

Publication date: 30. October 2023

By Bureau Veritas HSE
 www.bureauveritas.dk
 +45 7731 1000

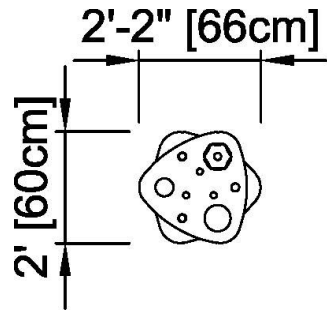


Rotating Sand Table

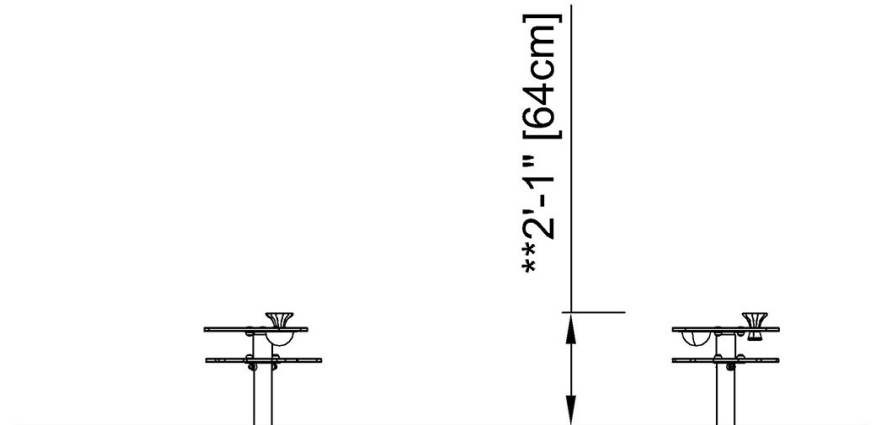
PCM501

* Max fall height | ** Total height | *** Safety surfacing area

* Max fall height | ** Total height



PCM501
** 2'-1" / 64cm



PCM501

[Click to see TOP VIEW](#)

[Click to see SIDE VIEW](#)