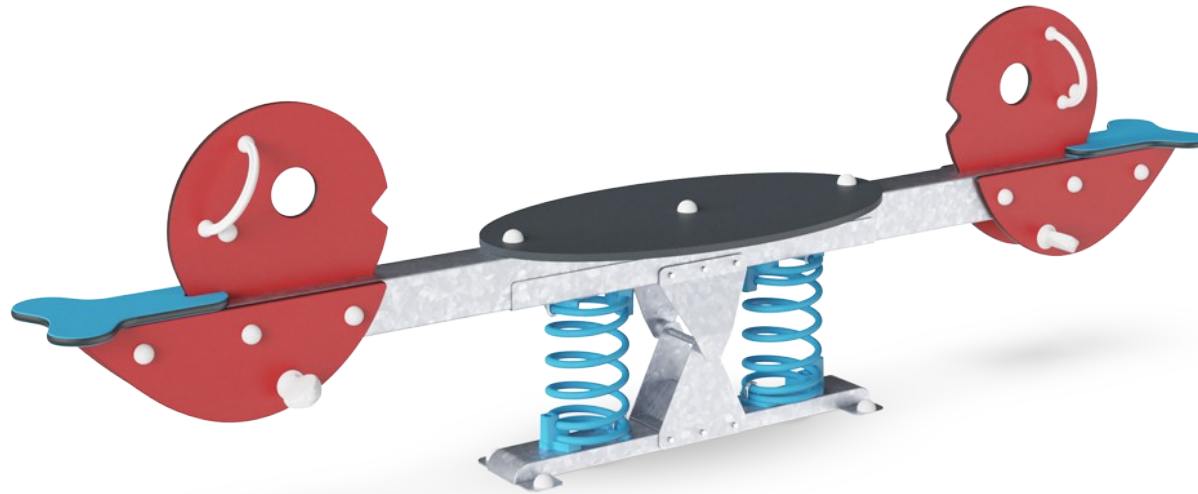


# Albatross

M143



Item no. M14374-01P

## General Product Information

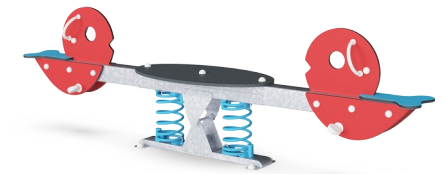
Dimensions LxWxH	1'10"x10'2"x3'0"
Age group	2 - 12
Play capacity (users)	4
Color options	



The classic Albatross seesaw motivates children to join in play, rocking together. The whimsical design, a KOMPAN classic, attracts children. The sturdy hand and foot support allow for mild and wild rocking. The spring base makes it possible for different ages, even adult and children, to rock together. Risk seekers can stand on the middle platform, sensing the

movement of the others. The platform also allows for socializing, lying or sitting. There is room enough for a caregiver, too. The seats at the end are big enough for older children as well as adults. The fun thrill of rocking, individually, or in pairs or groups, will make children play for longer. Rocking on the Albatross trains the children's muscles and

motor skills, e.g. balance and coordination. The Albatross supports development of social-emotional skills as well, like cooperation, consideration and taking turns.



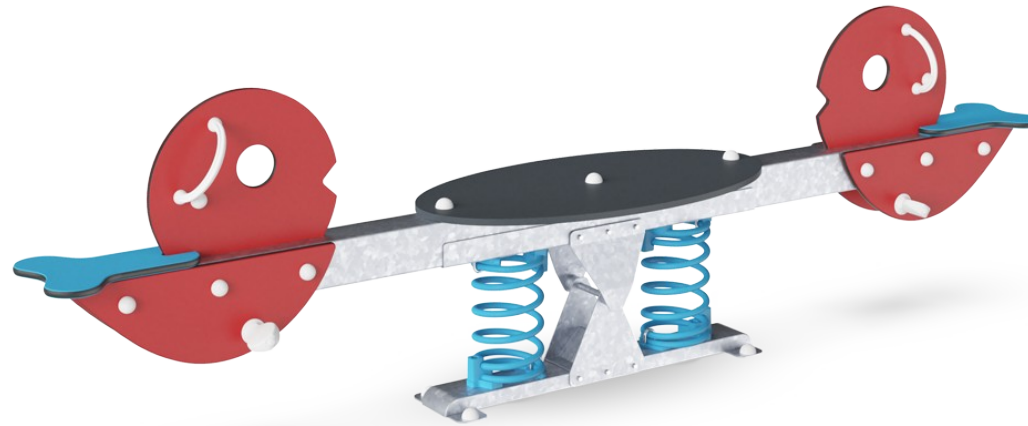
# Albatross

M143



## Handhold

**Physical:** the vertical handgrips ensure a firm grip at different heights, necessary for rocking intensely. This trains hand and arm muscles.



## Center platform

**Physical:** supports agility, balance and coordination when standing, using leg and core muscles, building bone density when jumping. Also facilitates sitting. **Social-Emotional:** teamwork and socializing when rocking together.



## Rocking together

**Social-Emotional:** the possibility of rocking together develops cooperation skills and consideration of others when rocking.



## Rocking spring

**Physical:** response to movement increases spatial awareness and sense of balance. These are fundamental motor skills that help the child's ability to sit still on a chair which takes a good sense of balance. **Cognitive:** trains the understanding of cause and effect: when I move my body, the spring responds with movement.



## Foot support

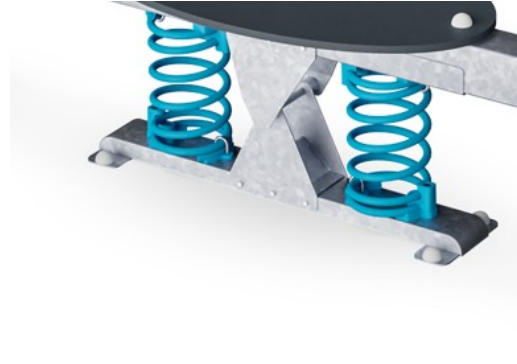
**Physical:** a good footrest supports intense rocking. Rocking stimulates the senses of balance and space that are fundamental in managing the world securely. Intense rocking also develops coordination and muscle strength.

# Albatross

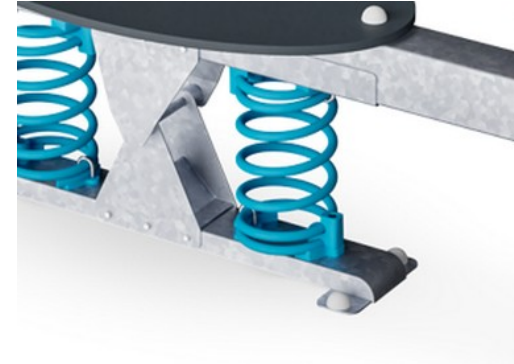
M143



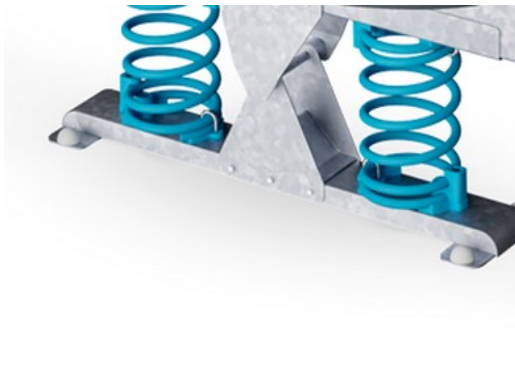
Panels of 19mm EcoCore™. EcoCore™ is a highly durable, eco friendly material, which is not only recyclable after use, but also consists of a core produced from 100% recycled material.



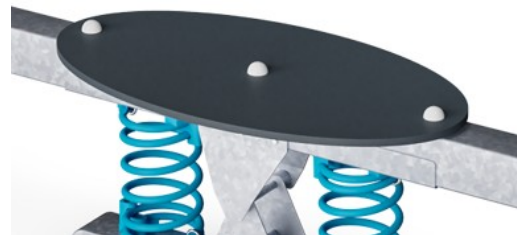
KOMPAN Springs are made of high quality spring steel according to EN10270. The springs are cleaned by phosphating before they are painted with an epoxy primer and a polyester powder coating as top finish. The springs are fixed by unique anti pinch fittings for maximum safety and long lifetime.



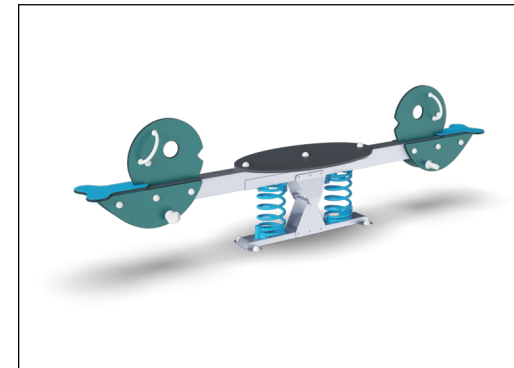
The springs are fixed by unique anti pinch fittings for maximum safety and long lifetime.



The steel support posts are hot dip galvanized inside and outside with lead free zinc. The galvanization has excellent corrosion resistance in outside environments and requires low maintenance.



Platform and seats are made of HPL with a thickness of 17.8mm with a very high wearing strength and a unique KOMPAN nonskid surface texture.



KOMPAN GreenLine versions are designed with the most environmentally friendly materials with the lowest possible CO2e emission factor such as EcoCore™ panels of 100% post-consumer recycled ocean waste.

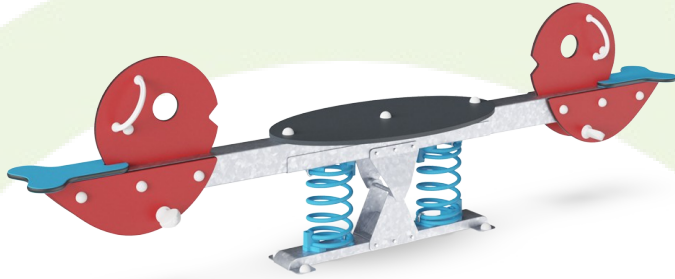
Item no. M14374-01P	
Installation Information	
Max. fall height	3'3"
Safety surfacing area	276ft²
Total installation time	4.4
Excavation volume	0.55yd³
Concrete volume	0yd³
Footing depth (standard)	1'5"
Shipment weight	259lbs
Anchoring options	In-ground ✓ Surface ✓
Warranty Information	
EcoCore HDPE	Lifetime
Hot dip galvanized steel	Lifetime
HPL platform	15 Years
Spare Parts Availability	10 Years
Springs	5 Years

Elevated activities 0	Accessible elevated activities	Accessible ground level activities	Accessible ground level play types
Present	0	1	1
Required	0	1	1



# Sustainability Data

M143



Cradle to Gate A1-A3	Total CO <sub>2</sub> emission	CO <sub>2</sub> e/kg	Recycled materials
	kg CO <sub>2</sub> e	kg CO <sub>2</sub> e/kg	%
<b>M14374-01P</b>	268.18	2.21	44.80

The overall framework applied for these factors is the Environmental Product Declaration (EPD), which quantifies "environmental information on the life cycle of a product and enable comparisons between products fulfilling the same function" (ISO, 2006). This follows the structure and applies a Life-Cycle Assessment approach to the entire Product stage from raw material through manufacturing (A1-A3))

**Kompan A/S**  
 C.F. Tietgens Boulevard 32C  
 DK-5220 Odense SØ  
 Denmark



## Verification of CO<sub>2</sub> calculation of: Freestanding play equipment



Data version no. 2023-10-05

The CO<sub>2</sub> calculation and data are in compliance with the principles of a carbon footprint impact according to the GHG protocol (Greenhouse Gas Protocol), Scope 3, cradle to gate related to all individual components in the product category: "Freestanding play equipment" represented by item no.: GXY916012-3417.

(Scope 3 emissions include emission sources in the upstream and downstream value chain).

**Date: 30. October 2023 | Valid until: 30. October 2025**

Verified by:

Julie Marie Vejsgaard Larsen, LCA & EPD Consultant

Verification based on report: Validation of CO<sub>2</sub> calculation of 9 categories of Kompan product line, version 1.0, prepared by: Bureau Veritas HSE, Denmark: Julie M. V. Larsen.

**Publication date: 30. October 2023**

By Bureau Veritas HSE  
 www.bureauveritas.dk  
 +45 7731 1000

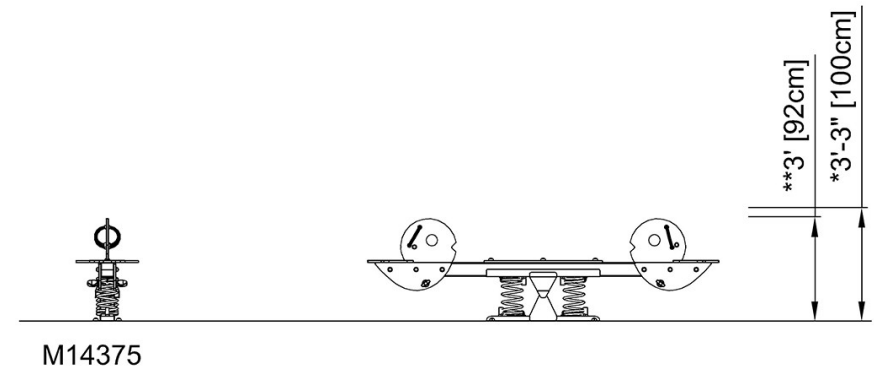
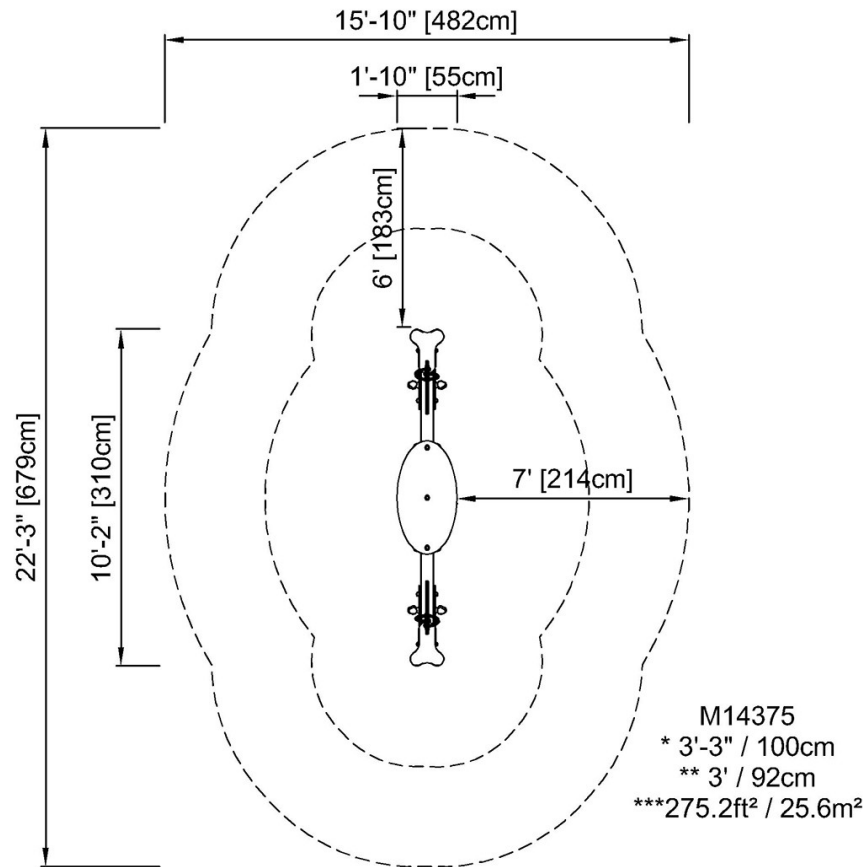


# Albatross

M143

\* Max fall height | \*\* Total height | \*\*\* Safety surfacing area

\* Max fall height | \*\* Total height



[Click to see TOP VIEW](#)

[Click to see SIDE VIEW](#)