

# Panca Sit Up Pro

FAZ606

**KOMPAN**  
Let's play



Con supporti per le gambe posizionati in modo ergonomico, la panca facilita i crunch addominali (sit-up) rafforzando tutti i muscoli addominali senza esercitare uno stress dannoso sulla parte bassa della schiena.

Codice articolo FAZ60600-0001	
<b>Informazioni generali prodotto</b>	
Dimensioni (LxLxA)	44x153x93 cm
Età d'uso	13+
Capacità di gioco	1
Opzioni colori	



Maggiori Informazioni sull'App KOMPAN Fit

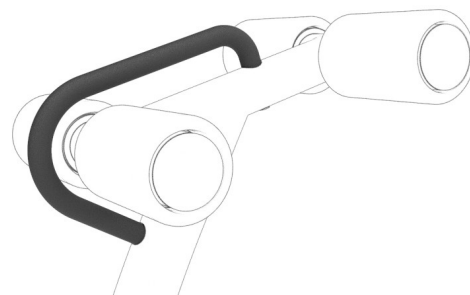


# Panca Sit Up Pro

FAZ606



The seat and back support are made of Polyurethane Rubber (PUR) and have an electro-galvanized steel insert plate that connects the seat to the steel frame. The seat and the back support are positioned under an 8-degree angle for the correct ergonomics. The back support has a groove to relieve the spine, accommodating a comfortable seating position, another benefit is that it drains water easily.



The bench has a support handle with a diameter of  $\varnothing 30\text{mm}$ . The support handle will make it easier to get on and off the bench and it will allow a variation in exercises. The grip powder coating, used on the support handle, is highly durable against wear and tear, offers isolation, and simultaneously gives users an outstanding grip during their workout.



All Steel components are made from carbon steel, with a hot-dip galvanized surface according to ISO1461, and a powder coating corrosion class C3 according to ISO12944-2. Lead content for surfaces is below 90ppm, and below 100ppm for base material.

Codice articolo FAZ60600-0001

## Informazione installazione

Max. altezza di caduta	93 cm
Superficie di sicurezza	13,7 m <sup>2</sup>
Tempo d'installazione totale	3,4
Volume di scavo	0,00 m <sup>3</sup>
Volume di calcestruzzo	0,00 m <sup>3</sup>
Profondità di base (standard)	0 cm
Peso della spedizione	104 kg
Opzioni ancoraggio	Superficie ✓

## Garanzie

Acciaio zincato	Garanzia a vita
Componenti PUR	10 anni
Garanzia pezzi di ricambio	10 anni



The Grip Powdercoating, used on the support handle, is highly durable against wear and tear, offers isolation, and simultaneously gives users an outstanding grip during their workout.



The rotating rollers are  $\varnothing 110\text{mm}$  and made from PUR (Polyurethane Rubber, compact foam). The rollers have a steel insert that is electro galvanized. They provide support and ensure a comfortable position.



Tutti i prodotti per il fitness KOMPAN sono conformi agli standard di fitness outdoor ASTM F3101 e EN16630. I test di carico vengono eseguiti come test statici aggiungendo fattori dinamici e fattori di sicurezza al carico specificato di 78 kg per utente. Un prodotto destinato a 1 utente viene caricato con 420 kg.



# Sustainability Data

FAZ606



Cradle to Gate A1-A3	Total CO <sub>2</sub> emission	CO <sub>2</sub> e/kg	Recycled materials
	kg CO <sub>2</sub> e	kg CO <sub>2</sub> e/kg	%
FAZ60600-0001	197,10	3,72	27,34

The overall framework applied for these factors is the Environmental Product Declaration (EPD), which quantifies "environmental information on the life cycle of a product and enable comparisons between products fulfilling the same function" (ISO, 2006). This follows the structure and applies a Life-Cycle Assessment approach to the entire Product stage from raw material through manufacturing (A1-A3))

**Kompan A/S**  
 C.F. Tietgens Boulevard 32C  
 DK-5220 Odense SØ  
 Denmark



## Verification of CO<sub>2</sub> calculation of: Fitness



Data version no. 2023-10-05

The CO<sub>2</sub> calculation and data are in compliance with the principles of a carbon footprint impact according to the GHG protocol (Greenhouse Gas Protocol), Scope 3, cradle to gate related to all individual components in the product category: "Fitness" represented by item no.: FAZ10100-0900.

(Scope 3 emissions include emission sources in the upstream and downstream value chain).

**Date: 30. October 2023 | Valid until: 30. October 2025**

Verified by:

Julie Marie Vejsgaard Larsen, LCA & EPD Consultant

Verification based on report: Validation of CO<sub>2</sub> calculation of 9 categories of Kompan product line, version 1.0, prepared by: Bureau Veritas HSE, Denmark: Julie M. V. Larsen.

**Publication date: 30. October 2023**

By Bureau Veritas HSE  
 www.bureauveritas.dk  
 +45 7731 1000



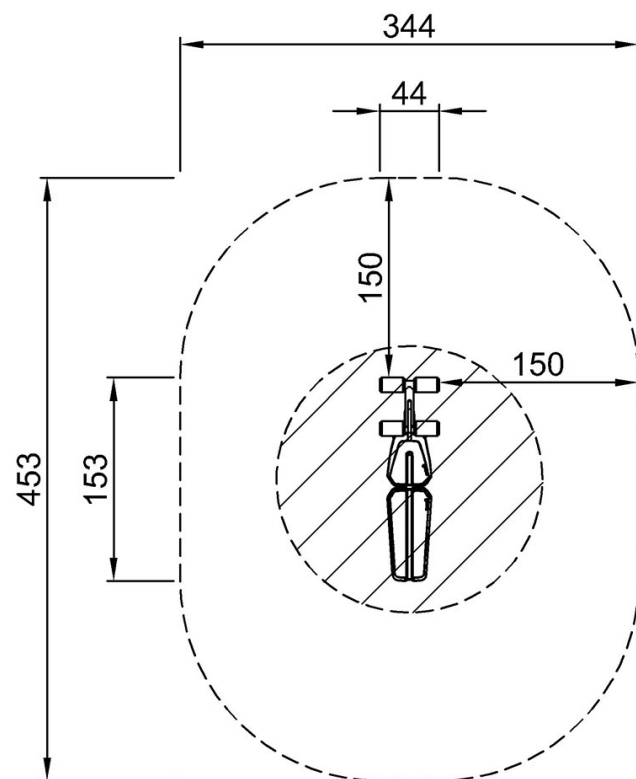
# Panca Sit Up Pro

FAZ606

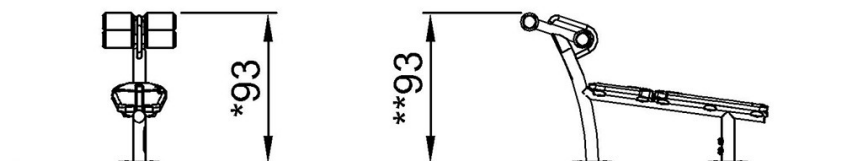
**KOMPAN**  
Let's play

Altezza di caduta massima | Altezza totale | Superficie di sicurezza

Altezza di caduta massima | Altezza totale



FAZ60600  
\*93cm  
\*\*93cm  
\*\*\*13.7m<sup>2</sup>



FAZ60600

[Fai clic per visualizzare il rapporto VISTA SUPERIORE](#)

[Fai clic per visualizzare il rapporto VISTA LATERALE](#)