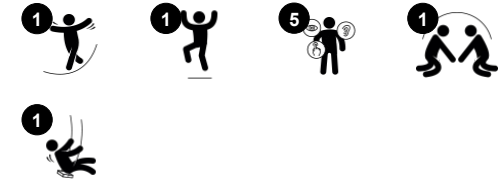


# Giant Dino Swing

M986



Item no. M98601-1401	
<b>General Product Information</b>	
Dimensions LxWxH	478x123x371 cm
Age group	6+
Play capacity (users)	7
Colour options	



The Giant Dino Swing will attract children time and time again. The multiple directions, and ability to swing at great heights, provide thrill and fun. The bird's nest seat has room for more children to be seated or standing while swinging, making it a sociable and fun experience. It teaches children to take turns and cooperate. The seat can also be used

individually for a more relaxing swing. The seat caters to all abilities and most ages, meaning swinging can be a common experience. The movements cause both thrill, laughter, and relaxation. The swinging movement trains children's sense of balance and space, fundamental for spatial judgment and body awareness. Swinging the seat trains arm, leg,

and core muscles, while jumping off builds bone density. The Giant Dino Swing thus develops children in fun and social play.



# Giant Dino Swing

M986



## Bird nest swing

**Physical:** balance, coordination and spatial awareness are developed when swinging. The swinging movement trains the arm, leg and core muscles. **Social-Emotional:** the spacious seat allows for many children standing, lying, seated together and is inclusive for all. **Cognitive:** 'Cause and effect' understanding, rhythm and thinking skills are developed in younger children.



## Swinging 360

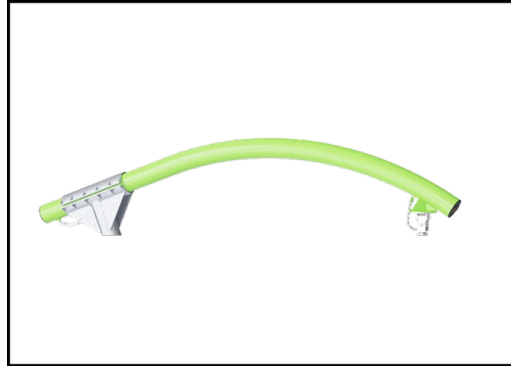
**Physical:** the rotating swing movement trains spatial awareness intensely, balance and coordination are further developed. **Social-Emotional:** cooperation and empathy are trained when cooperating on directions of swinging. **Cognitive:** figuring out how to use your body to navigate the swing in different directions is a great trainer of embodied cognition.

# Giant Dino Swing

M986



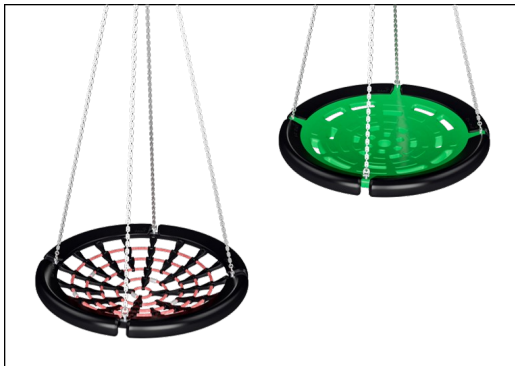
The steel surfaces are hot-dip galvanised inside and outside with lead-free zinc. The galvanisation has excellent corrosion resistance in outside environments and requires low maintenance.



Galvanisation is manufactured with a two-step process which includes light grinding and clean sweeping, which is then finished with a top powder coating to 70-120 µm thickness.



The 360-degree rotating swing hanger is made from stainless steel, and all moving parts are lifetime sealed and lubricated. The hanger system is equipped with a safety chain to prevent the swing hanger from falling if damaged.



KOMPAN's bird's nest seats have been designed to be light in weight and compliant with global safety standards. The soft, shock-absorbent bumpers has a non-slip surface, making the swing seat extremely user friendly. You can choose between a rope version with reinforced PA rope or a moulded PE version.



The seat suspensions are available in stainless steel chain or rope options. The ropes are made of UV-stabilised PA with inner steel cable reinforcement. The rope is induction treated to create a durable connection between the steel and rope, resulting in longevity.



The Giant Swing is available in multiple combinations which can be fully customised to meet your project visions. Customiation includes; galvanised steel with an optional coloured powder-coated top finish, rope or stainless-steel chain suspensions, in-ground or surface anchoring and rope or shell Birds Nets seat.

Item no. M98601-1401

## Installation Information

Max. fall height	180 cm
Safety surfacing area	61.4 m <sup>2</sup>
Total installation time	8.9
Excavation volume	3.58 m <sup>3</sup>
Concrete volume	2.56 m <sup>3</sup>
Footing depth (standard)	140 cm
Shipment weight	692 kg
Anchoring options	In-ground ✓

## Warranty Information

Galvanised Steel	Lifetime
Ropes & Nets	10 years
Spare Parts Guarantee	10 years
Swing Hangers	5 years
Swing Seat	10 years

**AS**  
**4685**  
compliant

# Sustainability Data

M986



Cradle to Gate A1-A3	Total CO <sub>2</sub> emission	CO <sub>2</sub> e/kg	Recycled materials
	kg CO <sub>2</sub> e	kg CO <sub>2</sub> e/kg	%
<b>M98601-1401</b>	1,493.01	2.77	48.33

The overall framework applied for these factors is the Environmental Product Declaration (EPD), which quantifies "environmental information on the life cycle of a product and enable comparisons between products fulfilling the same function" (ISO, 2006). This follows the structure and applies a Life-Cycle Assessment approach to the entire Product stage from raw material through manufacturing (A1-A3))

**Kompan A/S**  
 C.F. Tietgens Boulevard 32C  
 DK-5220 Odense SØ  
 Denmark



## Verification of CO<sub>2</sub> calculation of: Freestanding play equipment



Data version no. 2023-10-05

The CO<sub>2</sub> calculation and data are in compliance with the principles of a carbon footprint impact according to the GHG protocol (Greenhouse Gas Protocol), Scope 3, cradle to gate related to all individual components in the product category: "Freestanding play equipment" represented by item no.: KSW92011-0910.

(Scope 3 emissions include emission sources in the upstream and downstream value chain).

**Date: 30. October 2023 | Valid until: 30. October 2025**

**Verified by:**

Julie Marie Vejsgaard Larsen, LCA & EPD Consultant

Verification based on report: Validation of CO<sub>2</sub> calculation of 9 categories of Kompan product line, version 1.0, prepared by: Bureau Veritas HSE, Denmark: Julie M. V. Larsen.

**Publication date: 30. October 2023**

**By Bureau Veritas HSE**  
 www.bureauveritas.dk  
 +45 7731 1000

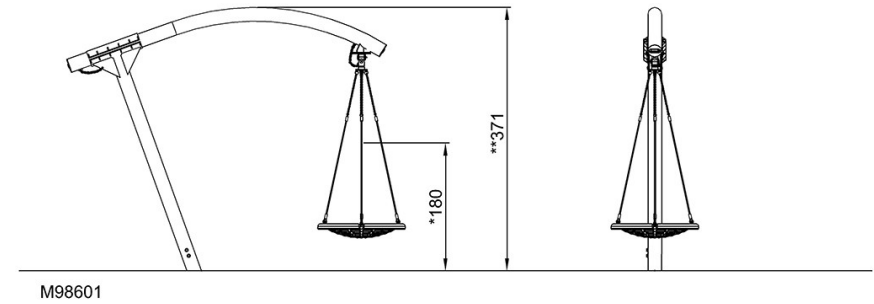
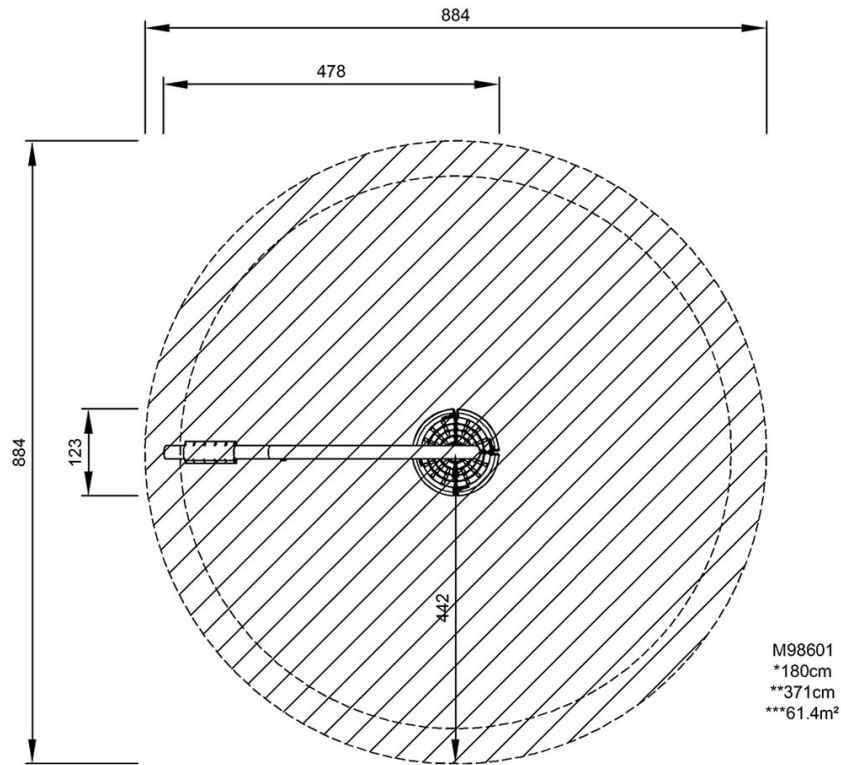


# Giant Dino Swing

M986

\* Max fall height | \*\* Total height | \*\*\* Safety surfacing area

\* Max fall height | \*\* Total height



[Click to see TOP VIEW](#)

[Click to see SIDE VIEW](#)