

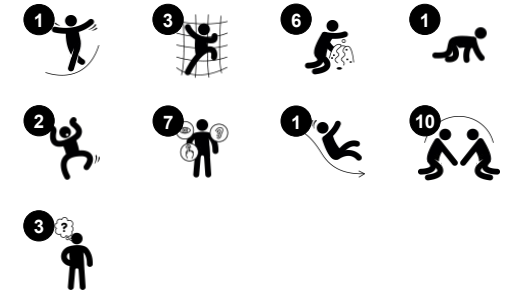
Play Tower & House with Balcony

PCM200631

KOMPAN
Let's play



Item no. PCM200631-0603	
General Product Information	
Dimensions LxWxH	13'2"x10'0"x7'1"
Age group	2 - 5
Play capacity (users)	24
Color options	



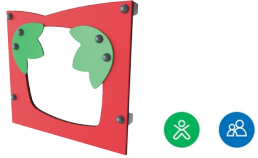
The Play Tower and House with Balcony is a wonderful condensed play opportunity for toddlers. It invites both physical, social and cognitive play, ensuring high attraction again and again. The variety of entrance openings and climbers allow for all to benefit from play. Climbing helps develop cross-modal perception which is fundamental for improving reading

skills. The many tactile and explorative details can be used from both inside and outside, encouraging social interaction and conversations. The house with balcony is spacious enough for several children to play at once, building up their skillset of turn-taking. The inclined bridge and the slide both stimulate the sense of balance in the child. The sense of

balance is fundamental for the development of all other motor skills. The transparent design allows for communication across the play unit and lays the fundamentals for life-long friendships.

Play Tower & House with Balcony

PCM200631



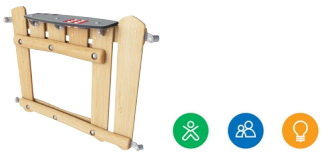
Crawl-through hole

Physical: the hole allows for climbing and crawling through, developing cross coordination, proprioception and spatial awareness. **Social-Emotional:** cooperation and turn-taking when passing one another.



Flower panel

Social-Emotional: invites cooperation with two sides and provides for parallel play. **Cognitive:** suggests a theme and supports dramatic play, which stimulates language and communication skills.



Desk with conveyor belt

Physical: tactile stimulation from running hands over rolling spheres on conveyor belt. **Social-Emotional:** sharing and cooperation from both sides create a social scenario that supports communication and cooperation. **Cognitive:** supports dramatic play scenarios, trains cause and effect understanding.



Mailbox panel

Social-Emotional: spurs group play and conversations with its dual-sidedness. **Cognitive:** suggests a theme and supports dramatic play, which stimulates language and communication skills.



Climb bridge

Physical: the skid-preventing cross-bars function as support for toddlers going up and down, supporting spatial awareness.



Slide

Physical: sliding develops spatial awareness and a sense of balance. Furthermore, the core muscles are trained when sitting upright going down. **Social-Emotional:** empathy stimulated by turn-taking. **Cognitive:** young children develop their understanding of space, speed and distances when sliding down quickly.



Gear wheels

Social-Emotional: cooperation skills and taking turns are developed when turning the gearing wheel. **Cognitive:** cause and effect understanding, and logical thinking are supported.

Play Tower & House with Balcony

PCM200631



Panels are available in two different materials: 19 mm EcoCore™ HDPE or impregnated and brown painted pine wood. EcoCore™ is a highly durable, ecofriendly material, which is not only recyclable after use, but also consists of a core produced from 100% recycled material. Pine wood boards are embedded in stainless steel frames.

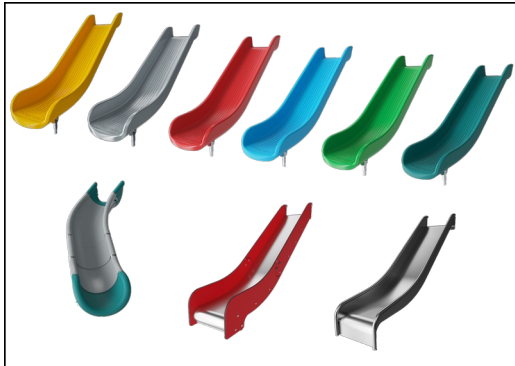


Main posts with hot-dip galvanized steel footing are available in different materials: Pressure impregnated pinewood posts. Pre-galvanized inside and outside with powder-coated top finish steel posts. Lead-free aluminum with color anodized top finish. Greenline TexMade posts of 100% post-consumer recycled PE and textile waste.



All decks are supported by uniquely designed low-carbon aluminum profiles with multiple attachment options. The grey-colored molded decks are made of 75% post-consumer ocean waste PP material with a non-skid pattern and texture surface.

Item no. PCM200631-0603	
Installation Information	
Max. fall height	1'11"
Safety surfacing area	428ft ²
Total installation time	20.7
Excavation volume	0.56yd ³
Concrete volume	0yd ³
Footing depth (standard)	2'0"
Shipment weight	1322lbs
Anchoring options	In-ground ✓ Surface ✓
Warranty Information	
EcoCore HDPE	Lifetime
Post	10 Years
PP Decks	10 Years
Spare Parts Availability	10 Years



The slides can be chosen in six different colors and three materials: Straight or curved one-piece molded PE slides. Combined EcoCore™ sides and stainless steel. Full stainless steel in a one-piece design for more vandalism-proof solutions.



Colored steel components have a base of hot-dip galvanization and a powder-coated top finish. This provides ultimate corrosion resistance in all climates around the world.



KOMPAN GreenLine versions are constructed with the most environmentally friendly materials with the lowest possible CO2e emission factor. TexMade posts, EcoCore™ panels of 100% post-consumer recycled ocean waste, and molded PP decks.

Elevated activities 6	Accessible elevated activities	Accessible ground level activities	Accessible ground level play types
Present	6	2	2
Required	3	2	2

ASTM F1487
compliant

Sustainability Data

PCM200631



Cradle to Gate A1-A3	Total CO ₂ emission	CO ₂ e/kg	Recycled materials
	kg CO ₂ e	kg CO ₂ e/kg	%
PCM200631-0651	700.13	1.57	67.29
PCM200631-0603	740.49	1.64	27.23

The overall framework applied for these factors is the Environmental Product Declaration (EPD), which quantifies "environmental information on the life cycle of a product and enable comparisons between products fulfilling the same function" (ISO, 2006). This follows the structure and applies a Life-Cycle Assessment approach to the entire Product stage from raw material through manufacturing (A1-A3))

Kompan A/S
 C.F. Tietgens Boulevard 32C
 DK-5220 Odense SØ
 Denmark



Verification of CO₂ calculation of: Play systems



Data version no. 2023-10-05

The CO₂ calculation and data are in compliance with the principles of a carbon footprint impact according to the GHG protocol (Greenhouse Gas Protocol), Scope 3, cradle to gate related to all individual components in the product category: "Play systems" represented by item no.: PCM200321-0950.

(Scope 3 emissions include emission sources in the upstream and downstream value chain).

Date: 30. October 2023 | Valid until: 30. October 2025

Verified by:

Julie Marie Vejsgaard Larsen, LCA & EPD Consultant

Verification based on report: Validation of CO₂ calculation of 9 categories of Kompan product line, version 1.0, prepared by: Bureau Veritas HSE, Denmark: Julie M. V. Larsen.

Publication date: 30. October 2023

By Bureau Veritas HSE
 www.bureauveritas.dk
 +45 7731 1000

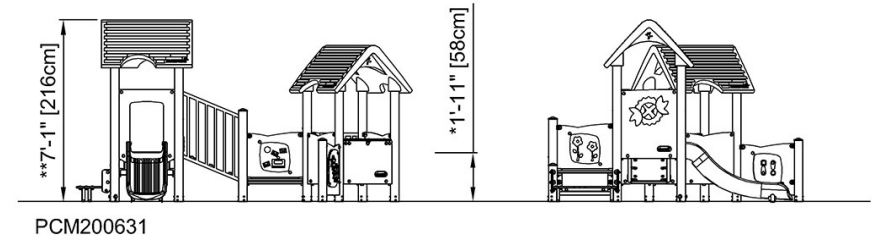
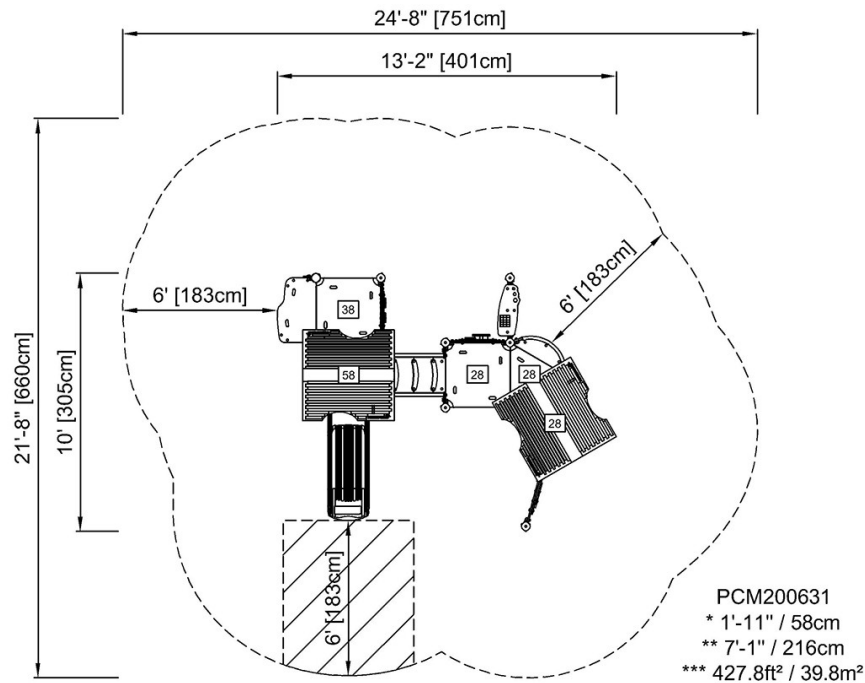


Play Tower & House with Balcony

PCM200631

* Max fall height | ** Total height | *** Safety surfacing area

* Max fall height | ** Total height



[Click to see TOP VIEW](#)

[Click to see SIDE VIEW](#)