

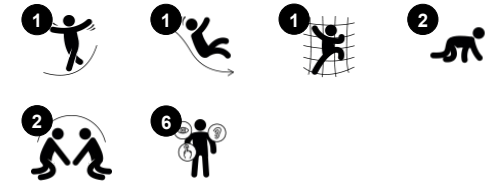
# Medium Slide Tower

PCM104421

**KOMPAN**  
Let's play



Item no. PCM104421-0901	
<b>General Product Information</b>	
Dimensions LxWxH	267x121x170 cm
Age group	2+
Play capacity (users)	4
Colour options	



This slide play tower will inspire children to slide, climb, and come back to play actively again and again. The proportions and activities are scaled to provide optimal play stimulation for preschoolers. The pipe ladder offers a fast way up, training cross-coordination and muscles. Cross-coordination stimulates cross-modal perception, necessary for skills such as

reading. Climbing the tower is rewarded with a stomach-tickling ride down the slide, training posture, balance and core muscles when sitting upright going down. When deciding whom to go next, children develop empathy and negotiation skills. The platform provides a place to be together with friends, and the windows encourage children to communicate

with friends outside the platform.

# Medium Slide Tower

PCM104421



## Slide

**Physical:** develops spatial awareness, sense of balance and trains core muscles when sitting upright going down. **Social-Emotional:** empathy stimulated by turn-taking. **Cognitive:** young children develop their understanding of space, speed and distances when sliding down.



## Window

**Social-Emotional:** invites interaction between sides and cooperative play.



## Pipe ladder

**Physical:** cross coordination and eye-hand coordination are supported when children climb the ladder. The climbing also supports leg and arm muscles. **Social-Emotional:** learning about turn taking and cooperation.

# Medium Slide Tower

PCM104421



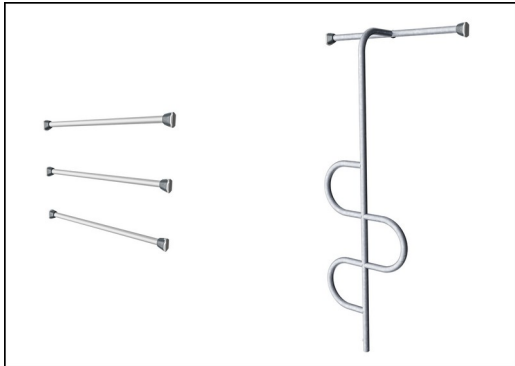
Panels of 19mm EcoCore™. EcoCore™ is a highly durable, eco-friendly material, which is not only recyclable after use but also consists of a core produced from 100% recycled material.



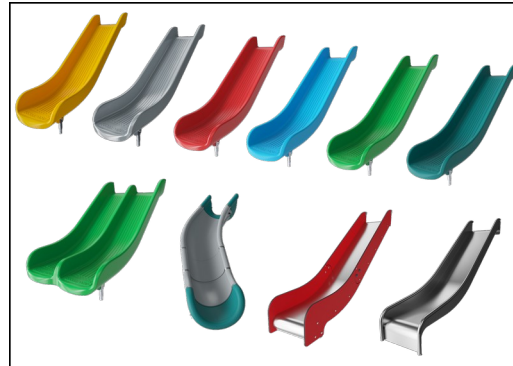
Main posts with hot dip galvanized steel footing are available in different materials: Pressure impregnated pine wood posts. Pre-galvanized inside and outside with powder coated top finish steel posts. Lead free aluminum with color anodized top finish. Greenline TexMade posts of 95% post-consumer recycled PE and textile waste.



All decks are supported by unique designed low-carbon aluminum profiles with multiple attachment options. The grey colored molded decks are made of 75% post-consumer waste PP material with a non-skid pattern and texture surface.



Pipe ladder bars are hot-dip galvanised inside and outside with lead free zinc. The galvanisation has excellent corrosion resistance in outside environments and requires low maintenance.



The slides can be chosen in six different colors and three materials: Straight or curved one-piece molded PE slides, made from 33% recycled post-consumer materials in different colours. Combined EcoCore™ sides and stainless-steel. Full stainless steel in one piece design for more vandalism proof solutions.



KOMPAN GreenLine versions are designed with ultimate environmentally friendly materials with lowest possible CO2e emission factor. TexMade post, EcoCore™ panels of 95% post-consumer recycled waste and molded PP decks.

Item no. PCM104421-0901

### Installation Information

Max. fall height	100 cm
Safety surfacing area	18.7 m <sup>2</sup>
Total installation time	6.5
Excavation volume	0.27 m <sup>3</sup>
Concrete volume	0.00 m <sup>3</sup>
Footing depth (standard)	90 cm
Shipment weight	188 kg
Anchoring options	Surface ✓ In-ground ✓

### Warranty Information

EcoCore HDPE	Lifetime
Galvanised Steel	Lifetime
Post	10 years
PP Decks	10 years
Spare Parts Guarantee	10 years



# Sustainability Data

PCM104421



Cradle to Gate A1-A3	Total CO <sub>2</sub> emission	CO <sub>2</sub> e/kg	Recycled materials
	kg CO <sub>2</sub> e	kg CO <sub>2</sub> e/kg	%
<b>PCM104421-0950</b>	223.18	1.42	70.07
<b>PCM104421-0901</b>	256.80	1.87	61.76

The overall framework applied for these factors is the Environmental Product Declaration (EPD), which quantifies "environmental information on the life cycle of a product and enable comparisons between products fulfilling the same function" (ISO, 2006). This follows the structure and applies a Life-Cycle Assessment approach to the entire Product stage from raw material through manufacturing (A1-A3))

**Kompan A/S**  
 C.F. Tietgens Boulevard 32C  
 DK-5220 Odense SØ  
 Denmark



## Verification of CO<sub>2</sub> calculation of: Play systems



Data version no. 2023-10-05

The CO<sub>2</sub> calculation and data are in compliance with the principles of a carbon footprint impact according to the GHG protocol (Greenhouse Gas Protocol), Scope 3, cradle to gate related to all individual components in the product category: "Play systems" represented by item no.: PCM200321-0950.

(Scope 3 emissions include emission sources in the upstream and downstream value chain).

**Date: 30. October 2023 | Valid until: 30. October 2025**

Verified by:

Julie Marie Vejsgaard Larsen, LCA & EPD Consultant

Verification based on report: Validation of CO<sub>2</sub> calculation of 9 categories of Kompan product line, version 1.0, prepared by: Bureau Veritas HSE, Denmark: Julie M. V. Larsen.

**Publication date: 30. October 2023**

By Bureau Veritas HSE  
 www.bureauveritas.dk  
 +45 7731 1000

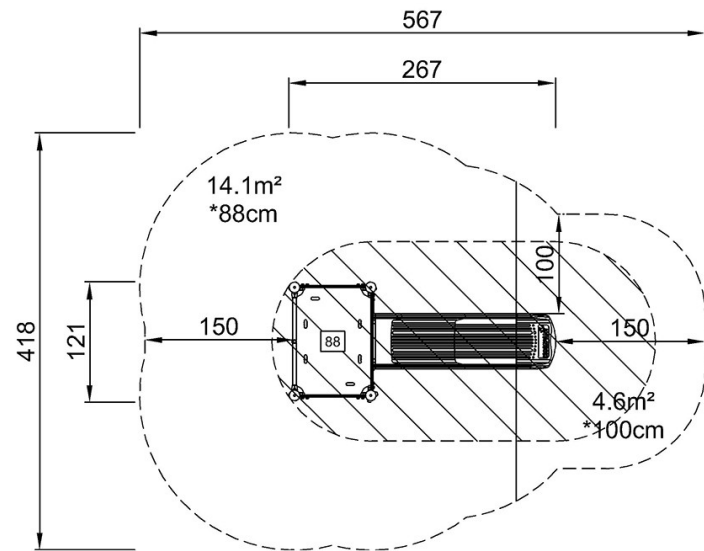


# Medium Slide Tower

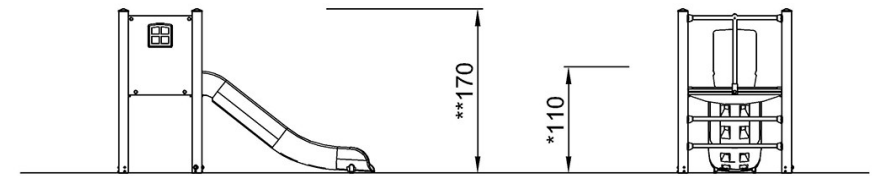
PCM104421

\* Max fall height | \*\* Total height | \*\*\* Safety surfacing area

\* Max fall height | \*\* Total height



PCM104421  
\*100cm  
\*\*170cm  
\*\*\*18.7m<sup>2</sup>



PCM104421

[Click to see TOP VIEW](#)

[Click to see SIDE VIEW](#)