

Water Channel with Splash Table

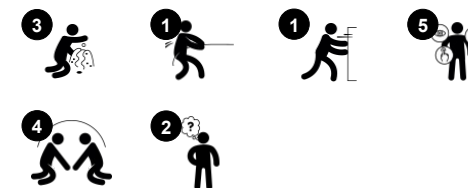
NRO508



Item no. NRO508-0601

General Product Information

Dimensions LxWxH	137x317x107 cm
Age group	2+
Play capacity (users)	13
Colour options	 



If you want the dynamic fun of water play in your play space, then this combination is the all-encompassing unit for water splashing fun! Water supply easily taps into the galvanised pipe, which has a robust on/off dial tap above a sturdy podium that keeps the children off the watery ground below. Water flows through the timber channel, into the giant splash table at

the end. The unit is made of beautiful hand-crafted Robinia timber, which children can touch and feel and learn what natural timber is like.



Data is subject to change without prior notice.

Water Channel with Splash Table

NRO508



Water tap

Social-Emotional: develops turn-taking and cooperation when helping get water. Opens when pushed with hand, elbow, foot, chin or shoulder. Placed to also be reachable from a seated position. **Cognitive:** supports 'cause and effect' understanding and logical thinking when figuring out how to push for water and let go for stopping the water stream. **Creative:** changing the amounts and sequences of the water flow.



Splash table with plug

Social-Emotional: meeting point for cooperation and sharing. Develops turn-taking and cooperation. **Cognitive:** logical thinking and understanding of 'cause and effect' are trained when children stop or let go of water from the basin. **Creative:** the water plug makes changing water levels possible, which adds to logical thinking skills.



Water channel

Social-Emotional: children cooperate and communicate from both ends when running water through the channel. **Cognitive:** supports logical thinking and 'cause and effect' understanding when children wait for the water to run through.



Lower platform

Physical: climbing up and jumping down develops muscle and motor skills such as coordination, important in navigating your body securely through the world. **Social-Emotional:** children can sit and talk together. The step helps children who need extra height to maneuver the tap and water channel.

Water Channel with Splash Table

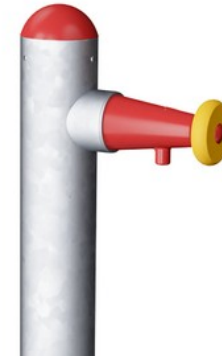
NRO508



All organic Robinia products by KOMPAN are made of Robinia wood which is sourced from sustainable plantation farms. On request it can be supplied as FSC® Certified (FSC® C004450).

The steel surfaces are hot-dip galvanised inside and outside with lead-free zinc. The galvanisation has excellent corrosion resistance in outside environments and requires low maintenance.

Play activities like the megaphone are made of injection moulded high-quality nylon (PA6) which has excellent wearing and impact strength and is UV stabilised.



The Robinia wood can be supplied as untreated raw wood or painted with a brown coloured transparent pigment that maintains the golden wood colour of the wood.

Item no. NRO508-0601	
Installation Information	
Max. fall height	0 cm
Safety surfacing area	22.9 m ²
Total installation time	5.5
Excavation volume	0.57 m ³
Concrete volume	0.00 m ³
Footing depth (standard)	64 cm
Shipment weight	278 kg
Anchoring options	In-ground ✓
Warranty Information	
Galvanised Steel	Lifetime
Robinia Wood	15 years
Spare Parts Guarantee	10 years
Stainless Steel Components	Lifetime



Sustainability Data

NRO508



Cradle to Gate A1-A3	Total CO ₂ emission	CO ₂ e/kg	Recycled materials
	kg CO ₂ e	kg CO ₂ e/kg	%
NRO508-0601	144.56	0.65	8.50

The overall framework applied for these factors is the Environmental Product Declaration (EPD), which quantifies "environmental information on the life cycle of a product and enable comparisons between products fulfilling the same function" (ISO, 2006). This follows the structure and applies a Life-Cycle Assessment approach to the entire Product stage from raw material through manufacturing (A1-A3))

Kompan A/S
 C.F. Tietgens Boulevard 32C
 DK-5220 Odense SØ
 Denmark



Verification of CO₂ calculation of: Nature play



Data version no. 2023-10-05

The CO₂ calculation and data are in compliance with the principles of a carbon footprint impact according to the GHG protocol (Greenhouse Gas Protocol), Scope 3, cradle to gate related to all individual components in the product category: "Nature play" represented by item no.: NRO409-0621.

(Scope 3 emissions include emission sources in the upstream and downstream value chain).

Date: 30. October 2023 | Valid until: 30. October 2025

Verified by:

Julie Marie Vejsgaard Larsen, LCA & EPD Consultant

Verification based on report: Validation of CO₂ calculation of 9 categories of Kompan product line, version 1.0, prepared by: Bureau Veritas HSE, Denmark: Julie M. V. Larsen.

Publication date: 30. October 2023

By Bureau Veritas HSE
 www.bureauveritas.dk
 +45 7731 1000

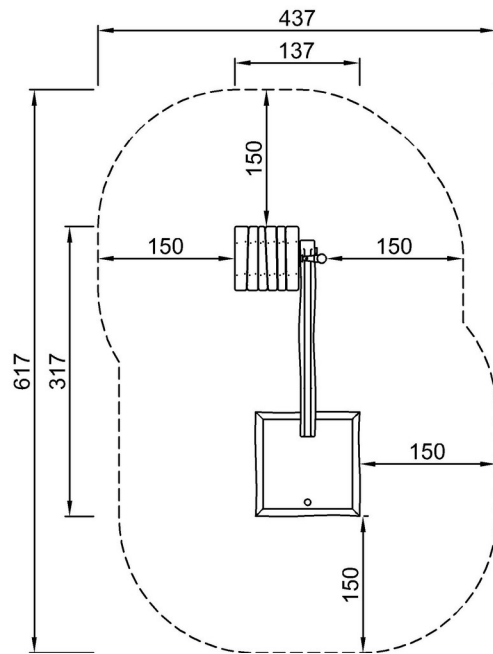


Water Channel with Splash Table

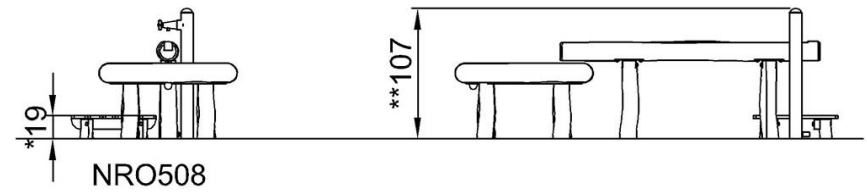
NRO508

* Max fall height | ** Total height | *** Safety surfacing area

* Max fall height | ** Total height



NRO508-xx01
*19cm
**107cm
***22.9m²



[Click to see TOP VIEW](#)

[Click to see SIDE VIEW](#)