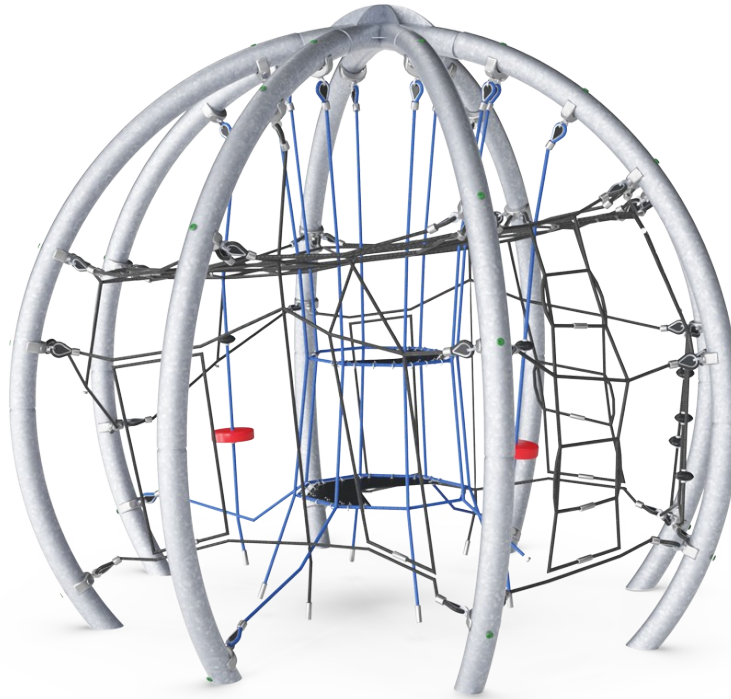

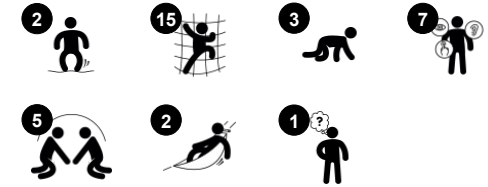


Miracle Sphere

COR88100



Item no. COR881001-0402	
General Product Information	
Dimensions LxWxH	400x400x330 cm
Age group	5+
Play capacity (users)	32
Color options	



The eight legged, spider-like Miracle Sphere hugely appeals to children. With its webs of diverse climbing opportunities, it will attract children again and again. The swaying ropes, nets and rubber ladders offer fun climbing challenges to the vertical top net. With its spread out access points to the top net, the Miracle Sphere caters for a lot of children in fun

play at the same time. Apart from being great fun, the Miracle Sphere offers ample training of all major muscles and fundamental motor skills, all muscles are in use when clinging on to the ropes or climbing up high. Important motor skills such as cross-body coordination and spatial awareness are used. These skills are fundamental e.g. when judging distances and

managing traffic securely. The horizontal top net is a great venue for meeting friends, socializing and helping one another up find a way up to chill and enjoy the view.



Miracle Sphere

COR88100



Corocord membranes consist of friction-proof rubberized material of conveyor belt quality with excellent UV resistance. Tested and compliant with REACH requirements for PAH. Embedded is a four-layered armoring made of woven polyester. The armoring and the two surface layers result in a total thickness of 7.5 mm.



Corocord aluminium clamps are used as connectors between steel posts and rope. The aluminium casting is screwed into the steel post and connects safely to the rope.



Fully coloured EPDM rubber discs with smooth surface. The moulded EPDM surrounds a hot dip galvanised steel core that ensures both the stability of the discs and durable fixation to the rope.

Item no. COR881001-0402

Installation Information

Max. fall height	240 cm
Safety surfacing area	48.5 m ²
Total installation time	27.1
Excavation volume	6.32 m ³
Concrete volume	2.43 m ³
Footing depth (standard)	65 cm
Shipment weight	1,076 kg
Anchoring options	In-ground ✓



Ropes of UV-stabilized PES rope strands with inner steel cable reinforcement. The polyester yarn is made from +95% post-consumer materials and is inductively melted onto each strand. The ropes are highly wear- and vandalism-resistant and can be replaced at site if needed.

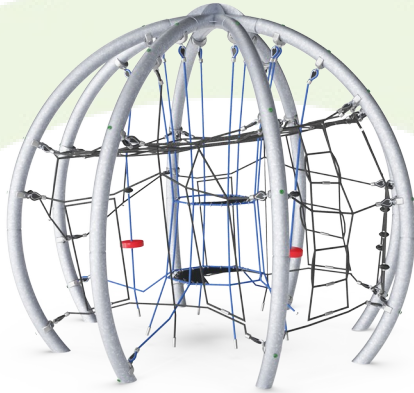


Corocord 'S' clamps are used as universal connections in Corocord products. 8mm stainless steel rods with rounded edges are pressed around the ropes with a special hydraulic press, making them the ideal connector: safe, durable and vandalism-proof, all while allowing the typical movement of rope play structures.



Sustainability Data

COR88100



Cradle to Gate A1-A3	Total CO ₂ emission	CO ₂ e/kg	Recycled materials
	kg CO ₂ e	kg CO ₂ e/kg	%
COR881001-0402	2,889.60	3.16	47.10

The overall framework applied for these factors is the Environmental Product Declaration (EPD), which quantifies "environmental information on the life cycle of a product and enable comparisons between products fulfilling the same function" (ISO, 2006). This follows the structure and applies a Life-Cycle Assessment approach to the entire Product stage from raw material through manufacturing (A1-A3))

Kompan A/S
 C.F. Tietgens Boulevard 32C
 DK-5220 Odense SØ
 Denmark



Verification of CO₂ calculation of: Corocord



Data version no. 2023-10-05

The CO₂ calculation and data are in compliance with the principles of a carbon footprint impact according to the GHG protocol (Greenhouse Gas Protocol), Scope 3, cradle to gate related to all individual components in the product category: "Corocord" represented by item no.: COR314011-1101.

(Scope 3 emissions include emission sources in the upstream and downstream value chain).

Date: 30. October 2023 | Valid until: 30. October 2025

Verified by:

Julie Marie Vejsgaard Larsen, LCA & EPD Consultant

Verification based on report: Validation of CO₂ calculation of 9 categories of Kompan product line, version 1.0, prepared by: Bureau Veritas HSE, Denmark: Julie M. V. Larsen.

Publication date: 30. October 2023

By Bureau Veritas HSE
 www.bureauveritas.dk
 +45 7731 1000

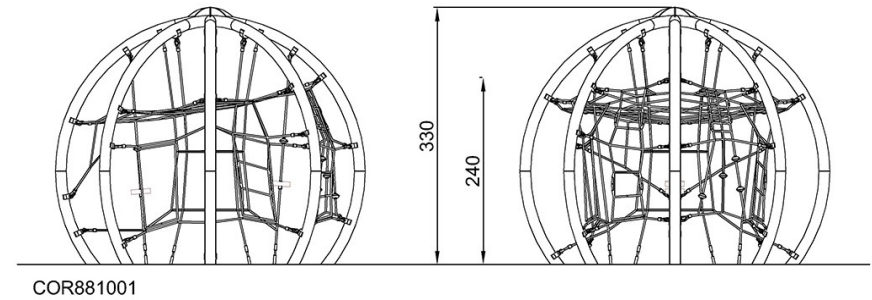
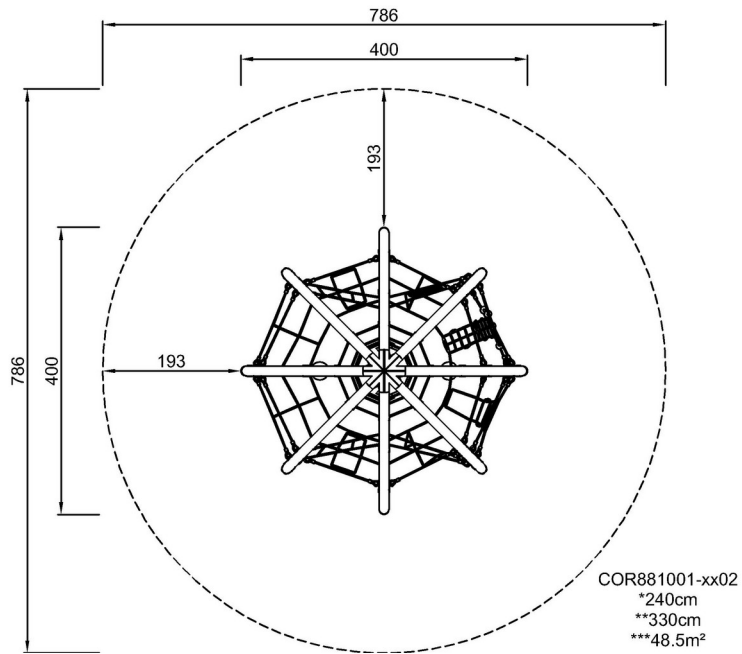


Miracle Sphere

COR88100

* Max fall height | ** Total height | *** Safety surfacing area

* Max fall height | ** Total height



[Click to see TOP VIEW](#)

[Click to see SIDE VIEW](#)