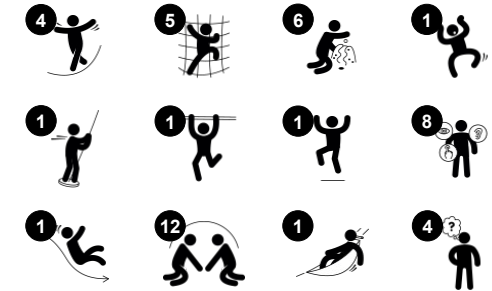


Four Towers with Net & Bridges

PCM400521



Item no. PCM400521-0602	
General Product Information	
Dimensions LxWxH	563x408x306 cm
Age group	2+
Play capacity (users)	34
Color options	



This fantastic play tower has four towers and a variety of play activities resulting in longer play time and many benefits for health and well-being. The many access points all provide a different challenge, helping children to strengthen their muscles and coordination as they will be eager to play with the many stimulating activities in the towers. The platy

panels provide opportunities to create fun and imaginative play themes that will extend the play. The talking tubes are a responsive element that will spark children's curiosities and will encourage imagination and social play. Many bridges and means of exiting the play tower support physical decision making. Sliding and gliding supports posture and balance, all

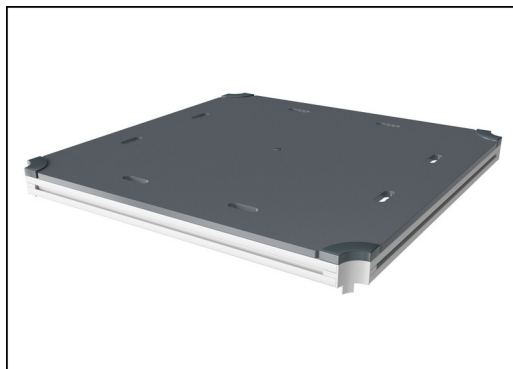
important skills, and fun! The variety of play activities will encourage children to play together and will enrich and extend their play activities in active outdoor play that stimulates creativity and thinking.

Four Towers with Net & Bridges

PCM400521



Panels of 19mm EcoCore™. EcoCore™ is a highly durable, eco friendly material, which is not only recyclable after use, but is also produced from +95% recycled post consumer material from food packing waste. Wooden panels of impregnated and brown painted pine wood with vertical steel profiles.



All decks are supported by unique designed low-carbon aluminum profiles with multiple attachment options. The grey colored molded decks are made of 75% post-consumer waste PP material with a non-skid pattern and texture surface.

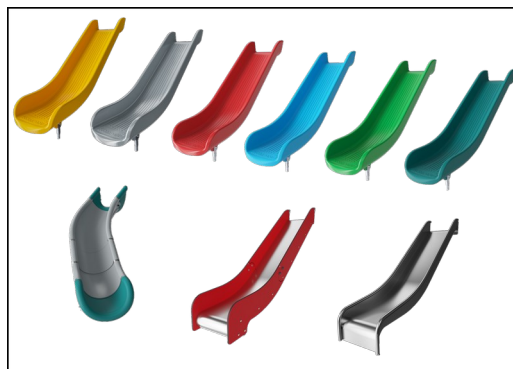


Main posts with hot dip galvanized steel footing are available in different materials: Pressure impregnated pine wood posts. Pre-galvanized inside and outside with powder coated top finish steel posts. Lead free aluminum with color anodized top finish. Greenline TexMade posts of 95% post-consumer recycled PE and textile waste.

Item no. PCM400521-0602	
Installation Information	
Max. fall height	118 cm
Safety surfacing area	47.4 m ²
Total installation time	31.0
Excavation volume	0.77 m ³
Concrete volume	0.00 m ³
Footing depth (standard)	60 cm
Shipment weight	913 kg
Anchoring options	



Ropes of UV-stabilized PES rope strands with inner steel cable reinforcement. The polyester yarn is made from +95% post-consumer materials and is inductively melted onto each strand.



The slides can be chosen in six different colors and three materials: Straight or curved one-piece molded PE slides, made from 33% recycled post-consumer materials in different colours. Combined EcoCore™ sides and stainless-steel. Full stainless steel in one piece design for more vandalism proof solutions.



KOMPAN GreenLine versions are designed with ultimate environmentally friendly materials with lowest possible CO2e emission factor. TexMade post, EcoCore™ panels of 95% post-consumer recycled waste and molded PP decks.



Sustainability Data

PCM400521



Cradle to Gate A1-A3	Total CO ₂ emission	CO ₂ e/kg	Recycled materials
	kg CO ₂ e	kg CO ₂ e/kg	%
PCM400521-0651	1,466.80	1.94	67.20
PCM400521-0602	1,847.00	2.87	50.50

The overall framework applied for these factors is the Environmental Product Declaration (EPD), which quantifies "environmental information on the life cycle of a product and enable comparisons between products fulfilling the same function" (ISO, 2006). This follows the structure and applies a Life-Cycle Assessment approach to the entire Product stage from raw material through manufacturing (A1-A3))

Kompan A/S
 C.F. Tietgens Boulevard 32C
 DK-5220 Odense SØ
 Denmark



Verification of CO₂ calculation of: Play systems



Data version no. 2023-10-05

The CO₂ calculation and data are in compliance with the principles of a carbon footprint impact according to the GHG protocol (Greenhouse Gas Protocol), Scope 3, cradle to gate related to all individual components in the product category: "Play systems" represented by item no.: PCM200321-0950.

(Scope 3 emissions include emission sources in the upstream and downstream value chain).

Date: 30. October 2023 | Valid until: 30. October 2025

Verified by:

Julie Marie Vejsgaard Larsen, LCA & EPD Consultant

Verification based on report: Validation of CO₂ calculation of 9 categories of Kompan product line, version 1.0, prepared by: Bureau Veritas HSE, Denmark: Julie M. V. Larsen.

Publication date: 30. October 2023

By Bureau Veritas HSE
 www.bureauveritas.dk
 +45 7731 1000

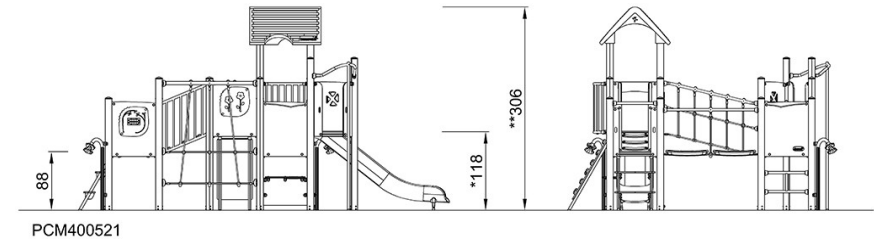
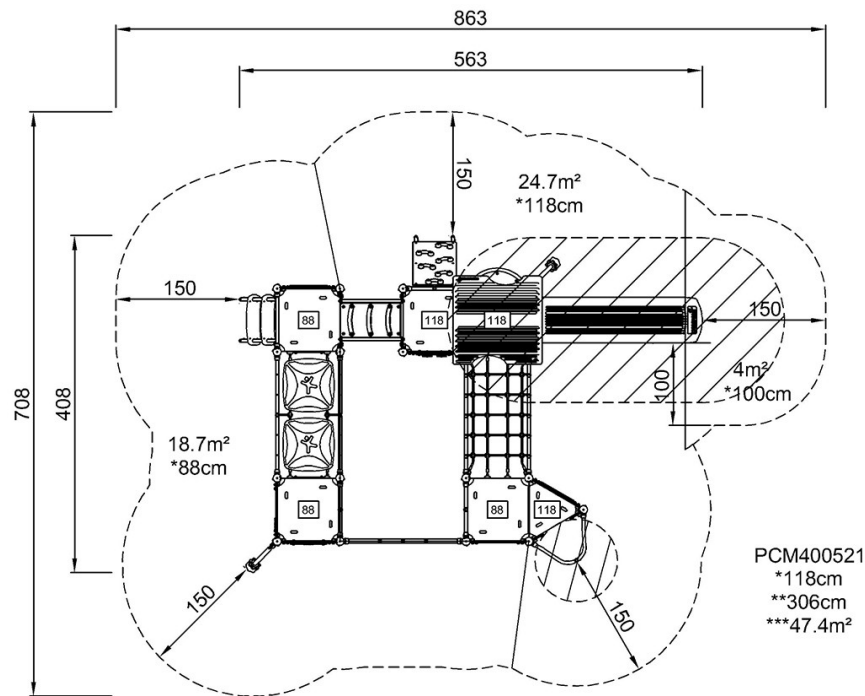


Four Towers with Net & Bridges

PCM400521

* Max fall height | ** Total height | *** Safety surfacing area

* Max fall height | ** Total height



[Click to see TOP VIEW](#)

[Click to see SIDE VIEW](#)