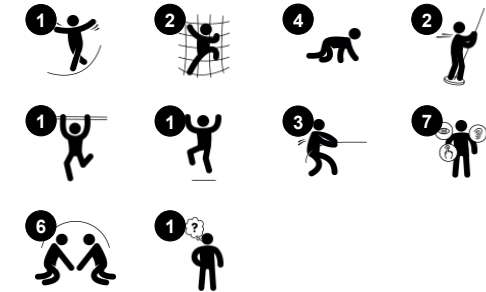


Elements Cliff Rider

PCE112421



产品编号 PCE112421-0901	
产品信息概览	
长宽高尺寸	140x502x443 cm
适用年龄段	6+
容纳人数	12
颜色选择	



The amazing taller Cliff Rider is hugely attractive to school age children. It calls for repeated loops of action, again and again. The intensely thrilling ride high up in the air, on a small footrest, is for the courageous. And those who aren't at the first go, get there with a little help from their friends. Till then, there is ample climbing and gliding on the climbing walls,

climbing cleats on poles and the fireman's pole. The Cliff Rider trains muscle force, tension, timing and sequencing of movements. Judging your body's movements, object control as well as timing is quite a complex task, but a necessary life skill that makes it possible to navigate the body securely and confidently through environments, e.g. street traffic.

Furthermore, the self-confidence that children gain from overcoming their initial hesitations to travel on the Cliff Rider, is the more reason that they should.

Elements Cliff Rider

PCE112421



Wall climber

身体素质 : climbing supports cross coordination, proprioception, and the development of major muscle groups and hand strength. **社交情感** : two-sided climbing spurs social interaction and turn-taking.



Fireman's pole

身体素质 : 当下降时, 协调得到支持, 同时也锻炼了手臂和核心肌肉。落地时会增强骨密度, 这对于儿童早期生活中的骨骼建设至关重要。
社交情感 : 训练轮流意识和风险意识。



支撑手持装置

身体素质 : 手柄可为不太自信的攀爬儿童提供良好的抓力。将自己拉起并拉入绳网, 可锻炼上身肌肉。 **社交情感** : 不同能力的儿童都可以独立、安全地进入, 是适合所有人的游戏。



Cliff rider

身体素质 : pushing and pulling train major muscles. Timing and force of movement to make a smooth ride train proprioception and coordination. **社交情感** : supports cooperating, turn-taking skills and empathy. Stepping into the open air builds courage. **认知能力** : the force and coordination of movements add to childrens' confidence and teach them important life skills.

Elements Cliff Rider

PCE112421



撑竿跳高杆由焊接钢结构制成，带有 360° 站立式 Ekogrip 平台。双面弧形手柄由 EcoCore 材料制成。杆结合了卓越的人体工程学和出色的功能。



来回摇摆运动由重型比例的双橡胶扭转弹簧元件控制。橡胶元件可确保安全运动并降低朝向塔台平台的速度。模压 PE 材料的底盖具有高抗冲击性。



有弧度的出发平台由具有防滑结构的弯曲不锈钢板制成。平台的下部由 EcoCore 板支撑，以确保安全立足。橡胶缓冲器为游戏杆提供安全停靠。

产品编号 PCE112421-0901

安装信息

最大跌落高度	260 cm
安全面积	41.1 m ²
安装总时长	20.9
开挖量	0.70 m ³
混凝土使用量	0.32 m ³
标准入地深度	90 cm
运输重量	687 kg
固定选项	地表 ✓ 入地 ✓

质保信息

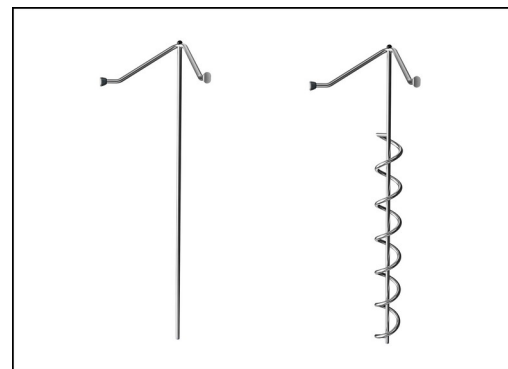
EcoCore HDPE	终身质保
镀锌钢结构	终身质保
立柱	10 年
PP 板	10 年
承保零部件	10 年



所展示的攀爬部件为一体成型的，壁厚 5 毫米（最低厚度），由可循环的聚乙烯材料制成，抗冲击性强，适用温度范围广，在任何位置都能抵抗破坏。



立柱由优质预镀锌钢制成，表面覆盖粉末涂层。柱顶由防紫外线的尼龙 (PA6) 盖封闭。灰色模压平台底板由 75% 海洋渔业消费后可循环 PP 材料制成，表面有防滑图案和纹理。所有平台底板均由独特设计的低碳铝型材支撑，可安装多种不同游戏板功能配件。



不锈钢游戏活动部件由优质不锈钢制成。在制造后使用酸洗工艺对钢进行清洁，以确保光滑和清洁的顺滑表面。



Sustainability Data

PCE112421



从原材料到成品

CO₂ 排放总量

kg CO₂e

CO₂ 排放量 / 千克

kg CO₂e/kg

回收的原料

%

PCE112421-0901

1,532.32

2.87

50.36

这些因素采用的总体框架为环保产品声明 (EPD), 该声明可量化“产品生命周期的环保信息, 并对相同功能的产品进行对比” (ISO, 2006)。在遵循该框架的同时, 对从原材料到制造的整个产品阶段 (A1-A3) 应用生命周期评估法。

Kompan A/S

C.F. Tietgens Boulevard 32C
DK-5220 Odense SØ
Denmark

Validation of CO₂ calculation method
BUREAU VERITAS
HSE Denmark A/S



Verification of CO₂ calculation of: Play systems



Data version no. 2023-10-05

The CO₂ calculation and data are in compliance with the principles of a carbon footprint impact according to the GHG protocol (Greenhouse Gas Protocol), Scope 3, cradle to gate related to all individual components in the product category: "Play systems" represented by item no.: PCM200321-0950.

(Scope 3 emissions include emission sources in the upstream and downstream value chain).

Date: 30. October 2023 | Valid until: 30. October 2025

Verified by:

Julie Marie Vejsgaard Larsen, LCA & EPD Consultant

Verification based on report: Validation of CO₂ calculation of 9 categories of Kompan product line, version 1.0, prepared by: Bureau Veritas HSE, Denmark: Julie M. V. Larsen.

Publication date: 30. October 2023

By Bureau Veritas HSE

www.bureauveritas.dk

+45 7731 1000

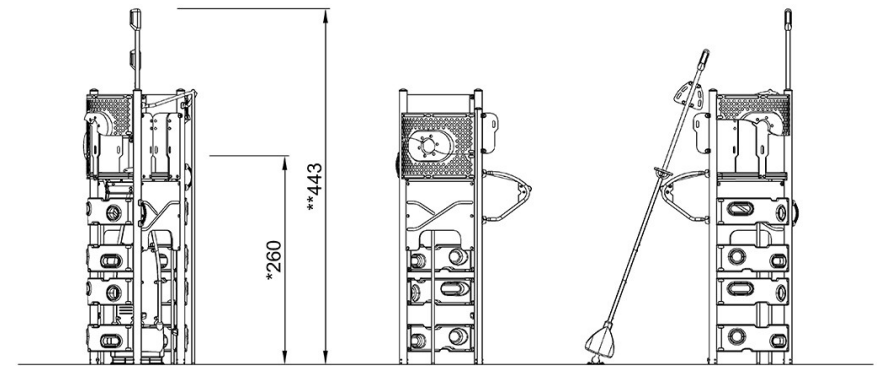
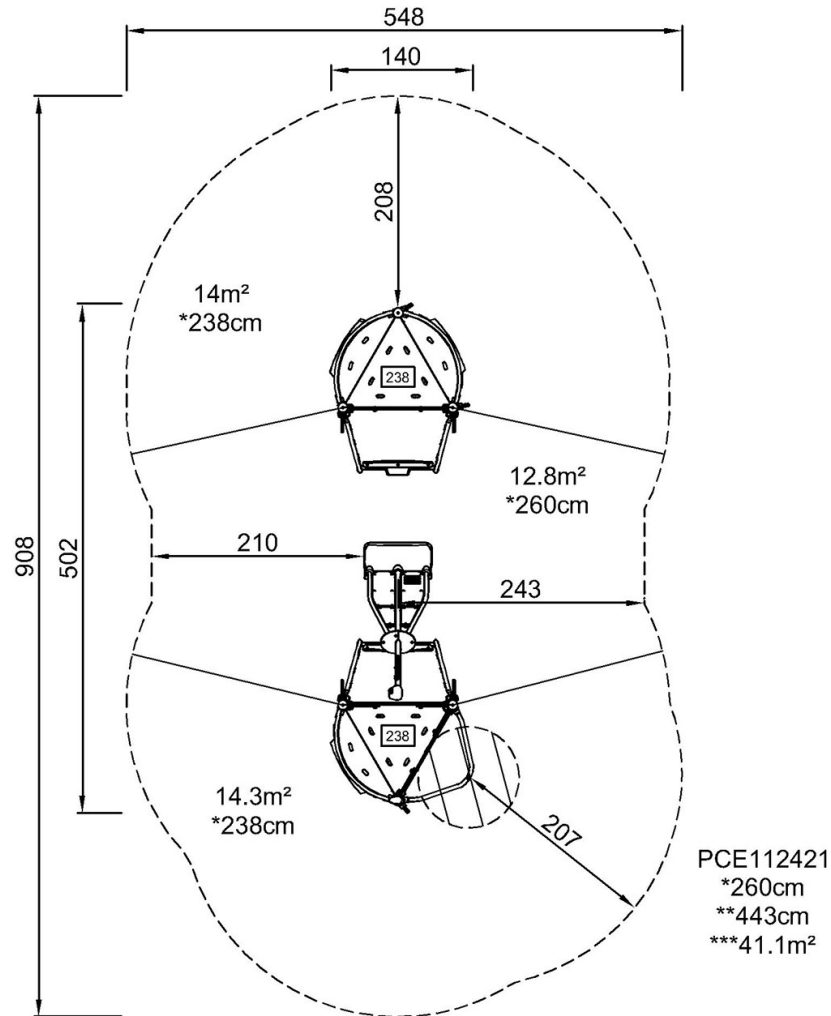


Elements Cliff Rider

PCE112421

最大跌落高度 | 总高度 | 安全区域

最大跌落高度 | 总高度



PCE112421

[点击查看俯视图](#)

[点击查看侧面图](#)