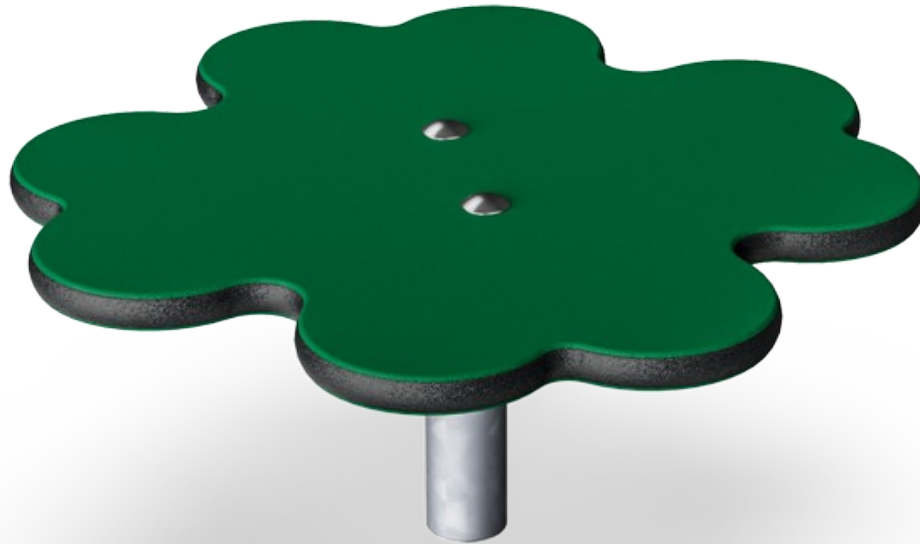


Lucky Clover

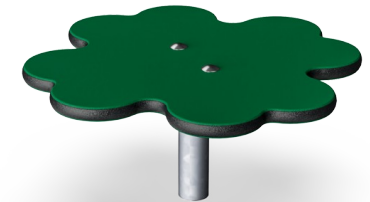
M259



Item no. M25901-3418P

General Product Information

Dimensions LxWxH	44x44x21 cm
Age group	6m+
Play capacity (users)	1
Color options	



The Lucky Clover is a slick, cute, super multi-functional play piece. It appeals to infants and toddlers repeatedly, thanks to its age appropriate height and dimensions. The Lucky Clover adds a space to sit and meet or step up and jump from. As a seat, the Lucky Clover provides a welcome place for toddlers to take a break from the wilder playground action and

gather energy for the next play moves. This supports the toddlers confidence and the time spent in play. The next play moves may well be climbing up and jumping down from the Lucky Clover. This supports the cross-coordination, sense of balance and space and the building of bone density. This is important for the toddlers healthy development.



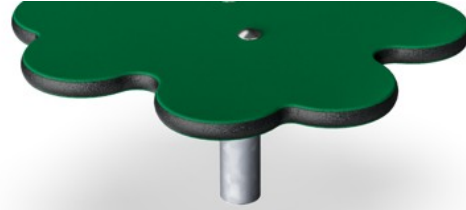
Data is subject to change without prior notice.

Lucky Clover

M259



Panels of 19mm EcoCore™. EcoCore™ is a highly durable, eco friendly material, which is not only recyclable after use, but also consists of material produced from +95% recycled post consumer material from food packing waste.



The steel surfaces are hot dip galvanised inside and outside with lead free zinc. The galvanisation has excellent corrosion resistance in outside environments and requires low maintenance.

Item no. M25901-3418P

Installation Information

Max. fall height	21 cm
Safety surfacing area	9.3 m ²
Total installation time	1.2
Excavation volume	0.04 m ³
Concrete volume	0.00 m ³
Footing depth (standard)	48 cm
Shipment weight	7 kg
Anchoring options	In-ground ✓ Surface ✓



Sustainability Data

M259



Cradle to Gate A1-A3	Total CO ₂ emission	CO ₂ e/kg	Recycled materials
	kg CO ₂ e	kg CO ₂ e/kg	%
M25901-3418P	11.90	1.84	62.30

The overall framework applied for these factors is the Environmental Product Declaration (EPD), which quantifies "environmental information on the life cycle of a product and enable comparisons between products fulfilling the same function" (ISO, 2006). This follows the structure and applies a Life-Cycle Assessment approach to the entire Product stage from raw material through manufacturing (A1-A3))

Kompan A/S
 C.F. Tietgens Boulevard 32C
 DK-5220 Odense SØ
 Denmark



Verification of CO₂ calculation of: Themed play systems



Data version no. 2023-10-05

The CO₂ calculation and data are in compliance with the principles of a carbon footprint impact according to the GHG protocol (Greenhouse Gas Protocol), Scope 3, cradle to gate related to all individual components in the product category: "Themed play systems" represented by item no.: MSC641100-3717P.

(Scope 3 emissions include emission sources in the upstream and downstream value chain).

Date: 30. October 2023 | Valid until: 30. October 2025

Verified by:

Julie Marie Vejsgaard Larsen, LCA & EPD Consultant

Verification based on report: Validation of CO₂ calculation of 9 categories of Kompan product line, version 1.0, prepared by: Bureau Veritas HSE, Denmark: Julie M. V. Larsen.

Publication date: 30. October 2023

By Bureau Veritas HSE
 www.bureauveritas.dk
 +45 7731 1000

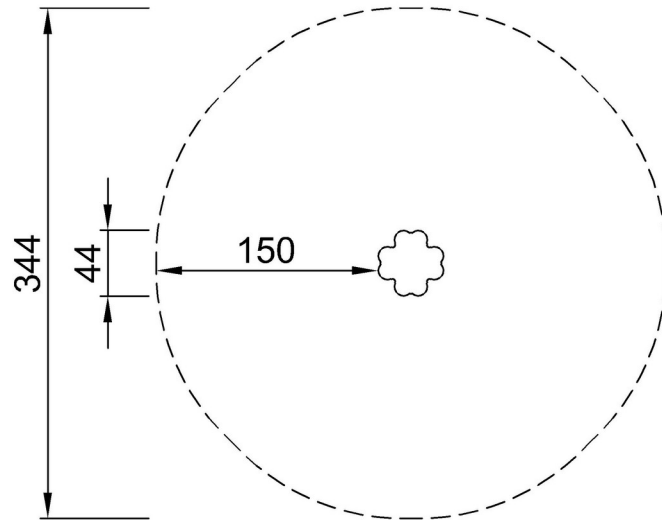


Lucky Clover

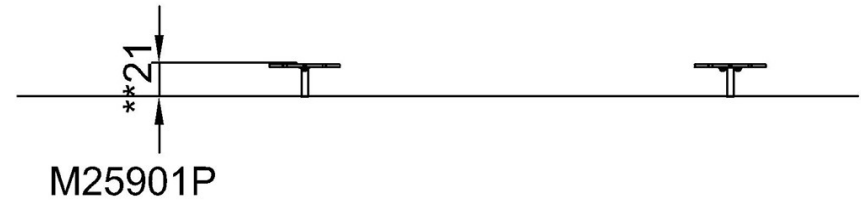
M259

* Max fall height | ** Total height | *** Safety surfacing area

* Max fall height | ** Total height



M25901P
*21cm
**21cm
***9.3m²



[Click to see TOP VIEW](#)

[Click to see SIDE VIEW](#)