

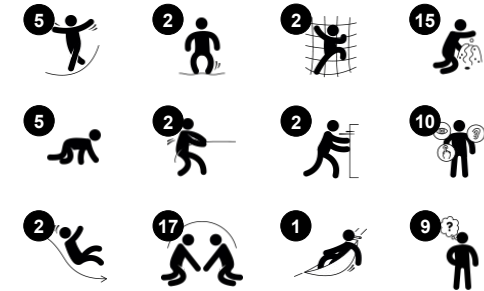
Discoverer

PCE405031

KOMPAN
Let's play



Item no. PCE405031-0603	
General Product Information	
Dimensions LxWxH	23'4"x22'10"x11'2"
Age group	2 - 5
Play capacity (users)	55
Color options	● ● ●



The Discoverer is an awesome versatile play unit for the youngest children. The varied features capture their attention to make them play on and on and then return again and again. All activities support the fundamental development of physical, social-emotional and cognitive-creative skills. The bouncy and swaying rubber features show response, which

toddlers love. In addition, it trains the understanding of cause and effect and the turn-taking skills. The membrane bridge develops coordination and builds bone density when children jump. The tunnels support cross-coordination and add thrills. The corners and panels at ground level provide areas for a break from wilder play and add sensory play

events, developing dexterity as well as logical thinking. Ground level transparent features allow communication throughout and enable play for all abilities.

Discoverer

PCE405031



Talk tube

Social-Emotional: encourages communication and social interaction.
Cognitive: evokes curiosity and stimulates an understanding of cause and effect and object permanence: objects and people still exist when out of sight.



Changeable sand funnel

Social-Emotional: supports cooperation and turn-taking as children pour water or materials into the funnel. **Cognitive:** the passing of materials through funnels develops children's logical thinking, for younger children the understanding of object permanence: that materials do not vanish, but run through. **Creative:** the sand funnel can be turned, creating new directions of dispensing materials.



Membrane bridge

Physical: agility, balance and coordination, force of movement and sense of effort. Development of bone density when jumping.
Social-Emotional: turn-taking, problem solving and cooperation when bouncing others. Relaxation when lying or sitting, being bounced by others. **Cognitive:** understanding of cause and effect, logical thinking.



Hammock

Physical: coordination and sense of balance when swaying. **Social-Emotional:** meeting, pushing friends gently back and forth, turn-taking. **Cognitive:** for toddlers cause and effect understanding.



Bubble Window

Social-Emotional: invites interaction between outside and inside. **Cognitive:** distorts the sound of the voice, developing logical thinking.



Gear wheels panel

Social-Emotional: cooperation skills and taking turns are developed when turning the gearing wheel. **Cognitive:** cause and effect understanding, and logical thinking are supported.



Crawl-through hole

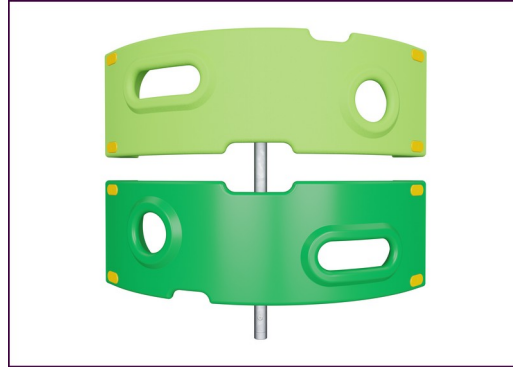
Physical: the hole allows for climbing and crawling through, developing cross coordination, proprioception and spatial awareness. **Social-Emotional:** cooperation and turn-taking when passing one another. **Cognitive:** understanding space, shape and measurements when seeing if the body can fit through the hole.

Discoverer

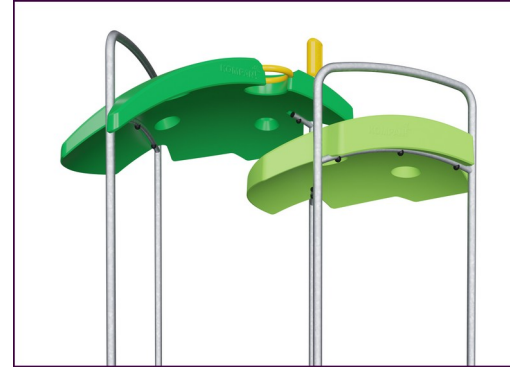
PCE405031



The Curved ELEMENTS panels are molded of UV stabilized recyclable PE with multiple options for in-build play features that also ensures a strong panel solution. Straight panels are made of KOMPAN 19mm PE EcoCore™ which is a highly durable, eco-friendly and recyclable material.



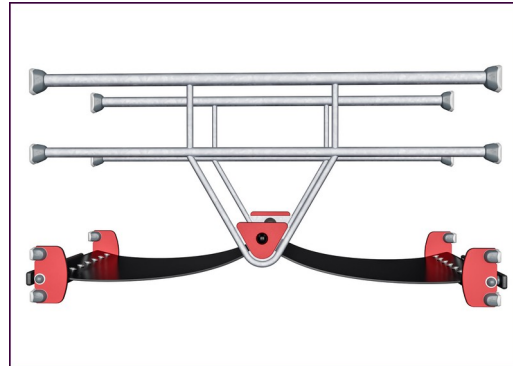
The climbing elements displayed are molded in one piece with a minimum 5mm wall thickness. The climbing elements are made of recyclable PE which has a high impact resistance across a wide temperature span which ensures vandal resistance in all locations.



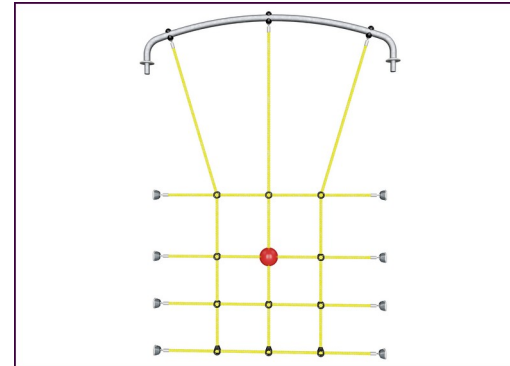
The ELEMENTS roofs are made of recyclable PE made from 33% post consumer recycled materials with a minimum wall thickness of 5 mm to ensure high durability in all climates around the world. The steel pipes are hot dip galvanised inside and outside for maximum durability.



The main posts are made of high quality pregalvanized steel with powder coated top finish. Post tops are closed with caps of UV stabilized nylon (PA6). The grey colored molded decks are made of 75% post-consumer waste PP material with a non-skid pattern and texture surface. All decks are supported by unique designed low-carbon aluminum profiles with multiple attachment options.



ELEMENTS rubber membranes are conveyor belt made of layers of rubber mixed of natural rubber and SBR rubber, and embedded with layers of armouring made of woven PE and PA. The thickness 8mm ensures high durability in any environment.



ELEMENTS ropes has six-stranded steel wires and a steel wire core. Each strand is tightly wrapped with PES yarn, which is made from +95% post consumer materials. The yarn is then melted onto each individual strand making the ropes highly wear- and vandalism-resistant.

Item no. PCE405031-0603

Installation Information

Max. fall height	1'11"
Safety surfacing area	961ft ²
Total installation time	49.7
Excavation volume	1.77yd ³
Concrete volume	0.18yd ³
Footing depth (standard)	2'7"
Shipment weight	3125lbs
Anchoring options	Surface ✓ In-ground ✓

Warranty Information

Curved Panels	10 Years
EcoCore HDPE	Lifetime
Membrane	2 Years
Post	10 Years
Spare Parts Availability	10 Years

Elevated activities 13	Accessible elevated activities	Accessible ground level activities	Accessible ground level play types
Present	13	3	3
Required	7	4	3

**ASTM
F1487**
compliant

Sustainability Data

PCE405031



Cradle to Gate A1-A3	Total CO ₂ emission	CO ₂ e/kg	Recycled materials
	kg CO ₂ e	kg CO ₂ e/kg	%
PCE405031-0603	3,191.54	2.73	46.06

The overall framework applied for these factors is the Environmental Product Declaration (EPD), which quantifies "environmental information on the life cycle of a product and enable comparisons between products fulfilling the same function" (ISO, 2006). This follows the structure and applies a Life-Cycle Assessment approach to the entire Product stage from raw material through manufacturing (A1-A3))

Kompan A/S
 C.F. Tietgens Boulevard 32C
 DK-5220 Odense SØ
 Denmark



Verification of CO₂ calculation of: Play systems



Data version no. 2023-10-05

The CO₂ calculation and data are in compliance with the principles of a carbon footprint impact according to the GHG protocol (Greenhouse Gas Protocol), Scope 3, cradle to gate related to all individual components in the product category: "Play systems" represented by item no.: PCM200321-0950.

(Scope 3 emissions include emission sources in the upstream and downstream value chain).

Date: 30. October 2023 | Valid until: 30. October 2025

Verified by:

Julie Marie Vejsgaard Larsen, LCA & EPD Consultant

Verification based on report: Validation of CO₂ calculation of 9 categories of Kompan product line, version 1.0, prepared by: Bureau Veritas HSE, Denmark: Julie M. V. Larsen.

Publication date: 30. October 2023

By Bureau Veritas HSE
 www.bureauveritas.dk
 +45 7731 1000

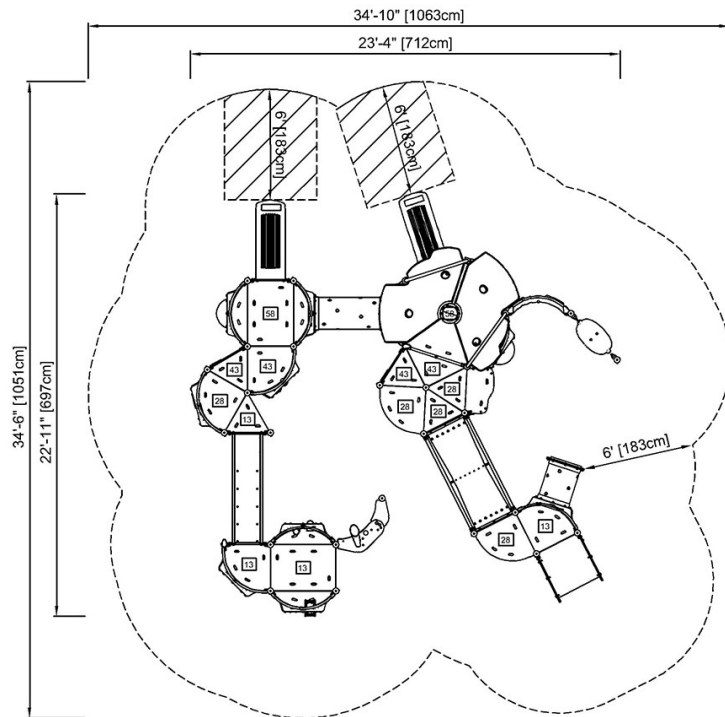


Discoverer

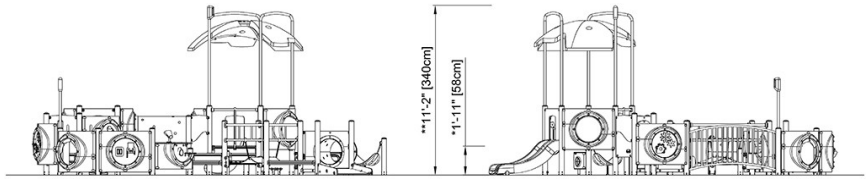
PCE405031

* Max fall height | ** Total height | *** Safety surfacing area

* Max fall height | ** Total height



PCE405031
* 1'-11" / 58cm
** 11'-2" / 340cm
*** 961.2ft² / 89.3m²



PCE405031

[Click to see TOP VIEW](#)

[Click to see SIDE VIEW](#)