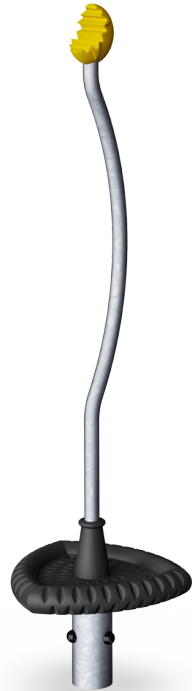



Spica 2

GXY8015



| | |
|------------------------------------|---|
| Item no. GXY801521-3717 | |
| General Product Information | |
| Dimensions LxWxH | 1'5"x1'6"x5'7" |
| Age group | 5 - 12 |
| Play capacity (users) | 1 |
| Color options |  |



The quirky shapes, toothy top and triangle platform invite curious 5-12 year olds to investigate the Spica. The rotating movement of the Spica is at the center. It takes exploration to reach the point of total mastery of spinning. The curved pole invites holding onto and the child figures out that leaning into the pole means intense spinning speed, leaning out

means slowing down speed. This will appeal and make play go on and on, even when children are hanging in their arms. Getting to master the rotation element stimulates the cognitive skills of the child, in particular the logical thinking. The agility, balance and coordination are intensively trained as the Spica invites different body positions when

spinning. The triangular shape of the seat allows room for up to three children, stimulating the social skills of cooperation and turn-taking.



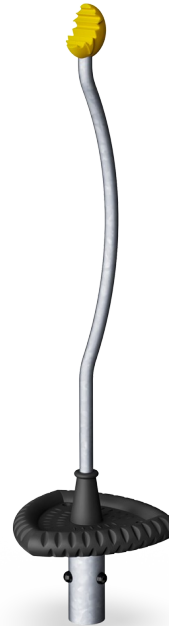
Spica 2

GXY8015



Curved pole

Physical: more gripping or leaning support points when standing, sitting, hanging holding tight and spinning.



Triangle seat

Social-Emotional: turn-taking, cooperation, socializing.



Internal ball-bearing spinner

Cognitive: logical thinking, figuring out how to make the spinner work with gravity, not against it.



Rotation

Physical: pushing or pulling into motion, children use their muscle strength and their cardio. The rotation develops the sense of balance and space when enjoying the ride.
Social-Emotional: listening and negotiating how slow or fast to go, children develop empathy and cooperation skills.

Spica 2

GXY8015



The Spica bearings are installed in a one-piece design bearing house with integrated drain holes for water passage. The two large steel bearings are fully closed and lifetime lubricated.



The unique GALAXY super triangle deck plate has an inner core of galvanized steel and soft outer layer of PUR rubber. The rounded edges has a non-skid pattern for safe play.



The colored top is made of injection molded high quality nylon (PA6) which is UV stabilized to ensure long life time. The two component design is assembled with steel pins around the steel pipe.



The steel surfaces are hot-dip galvanized inside and outside with lead-free zinc. The galvanization has excellent corrosion resistance in outside environments and requires minimal maintenance.

| Item no. GXY801521-3717 | |
|--------------------------|--------------------------|
| Installation Information | |
| Max. fall height | 3'3" |
| Safety surfacing area | 146ft ² |
| Total installation time | 1.6 |
| Excavation volume | 0.5yd ³ |
| Concrete volume | 0.39yd ³ |
| Footing depth (standard) | 2'11" |
| Shipment weight | 123lbs |
| Anchoring options | In-ground ✓ Surface ✓ |
| Warranty Information | |
| Bearing construction | 5 Years |
| Hardware | 10 Years |
| Hot dip galvanized steel | Lifetime |
| Spare Parts Availability | 10 Years |

| Elevated activities 0 | Accessible elevated activities | Accessible ground level activities | Accessible ground level play types |
|-----------------------|--------------------------------|------------------------------------|------------------------------------|
| Present | 0 | 1 | 1 |
| Required | 0 | 1 | 1 |



Sustainability Data

GXY8015



| Cradle to Gate A1-A3 | Total CO ₂ emission | CO ₂ e/kg | Recycled materials |
|-----------------------|--------------------------------|-------------------------|--------------------|
| | kg CO ₂ e | kg CO ₂ e/kg | % |
| GXY801521-3717 | 110.30 | 2.89 | 35.13 |

The overall framework applied for these factors is the Environmental Product Declaration (EPD), which quantifies "environmental information on the life cycle of a product and enable comparisons between products fulfilling the same function" (ISO, 2006). This follows the structure and applies a Life-Cycle Assessment approach to the entire Product stage from raw material through manufacturing (A1-A3))

Kompan A/S
 C.F. Tietgens Boulevard 32C
 DK-5220 Odense SØ
 Denmark



Verification of CO₂ calculation of: Freestanding play equipment



Data version no. 2023-10-05

The CO₂ calculation and data are in compliance with the principles of a carbon footprint impact according to the GHG protocol (Greenhouse Gas Protocol), Scope 3, cradle to gate related to all individual components in the product category: "Freestanding play equipment" represented by item no.: GXY916012-3417.

(Scope 3 emissions include emission sources in the upstream and downstream value chain).

Date: 30. October 2023 | Valid until: 30. October 2025

Verified by:

Julie Marie Vejsgaard Larsen, LCA & EPD Consultant

Verification based on report: Validation of CO₂ calculation of 9 categories of Kompan product line, version 1.0, prepared by: Bureau Veritas HSE, Denmark: Julie M. V. Larsen.

Publication date: 30. October 2023

By Bureau Veritas HSE
 www.bureauveritas.dk
 +45 7731 1000

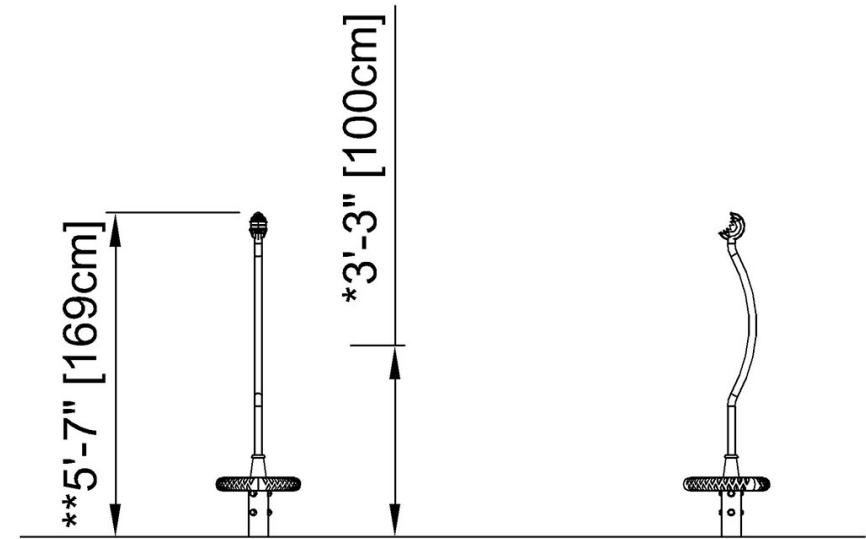
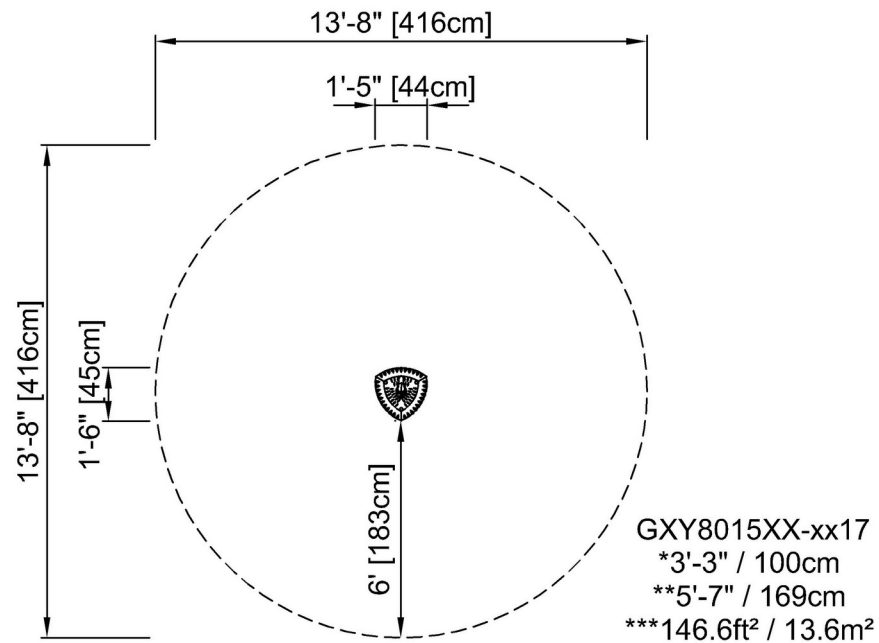


Spica 2

GXY8015

* Max fall height | ** Total height | *** Safety surfacing area

* Max fall height | ** Total height



GXY8015

[Click to see TOP VIEW](#)

[Click to see SIDE VIEW](#)