

Multi Deck Play Tower

PCM101721



Item no. PCM101721-0651	
General Product Information	
Dimensions LxWxH	398x220x306 cm
Age group	2+
Play capacity (users)	13
Colour options	



The Multi Deck Play Tower is very appealing to toddlers. The varied levels and activities make children want to play on it again and again. The different climbing options train cross-coordination, important for cross-modal perception, which helps reading skills. The slide is a stomach-tickling play experience, which also trains the sense of balance,

fundamental for the development of all other motor skills. On the ground, a curious play counter creates a wonderful play space under the platform. The desk features a conveyor belt made of small wheels that add tactile stimulation. The different sized holes and the belt invite explorative and dramatic play, spurring conversations. This builds social-

emotional as well as language development.

Multi Deck Play Tower

PCM101721



Flower panel

Social-Emotional: invites cooperation due to the two-sides and provides for parallel play.
Cognitive: suggests a theme and supports dramatic play, which stimulates language and communication skills.



Balcony

Social-Emotional: the balcony invites meetings and interaction with people on ground level. **Cognitive:** invites dramatic play and performance, which stimulates language development.



Climbing net

Physical: supports physical strength and cross-body coordination, which impacts coordination of the right and left part of brain.



Rock climber

Physical: supports cross coordination and leg, arm and hand strength. **Social-Emotional:** the inclination makes climbing feel secure, especially for younger children.



Desk with conveyor belt

Physical: tactile stimulation from running hands over rolling spheres on conveyor belt.
Social-Emotional: sharing and cooperation from both sides to create a social scenario that supports communication and cooperation.
Cognitive: supports dramatic play scenarios, trains 'cause and effect' understanding.



Slide

Physical: develops spatial awareness, sense of balance and trains core muscles when sitting upright going down. **Social-Emotional:** empathy stimulated by turn-taking. **Cognitive:** young children develop their understanding of space, speed and distances when sliding down.

Multi Deck Play Tower

PCM101721



Panels are available in two different materials: 19 mm EcoCore™ HDPE or impregnated and brown painted pine wood. EcoCore™ is a highly durable, eco-friendly material, which is not only recyclable after use but also consists of a core produced from 100% recycled material. Pinewood boards are embedded in stainless steel frames.



Main posts with hot dip galvanized steel footing are available in different materials: Pressure impregnated pine wood posts. Pre-galvanized inside and outside with powder coated top finish steel posts. Lead free aluminum with color anodized top finish. Greenline TexMade posts of 95% post-consumer recycled PE and textile waste.



All decks are supported by unique designed low-carbon aluminum profiles with multiple attachment options. The grey colored molded decks are made of 75% post-consumer waste PP material with a non-skid pattern and texture surface.

Item no. PCM101721-0651	
Installation Information	
Max. fall height	118 cm
Safety surfacing area	25.7 m ²
Total installation time	13.8
Excavation volume	0.46 m ³
Concrete volume	0.00 m ³
Footing depth (standard)	60 cm
Shipment weight	466 kg
Anchoring options	In-ground ✓ Surface ✓
Warranty Information	
EcoCore HDPE	Lifetime
Post	10 years
PP Decks	10 years
Ropes & Nets	10 years
Spare Parts Guarantee	10 years



Coloured steel components have a base of hot-dip galvanisation and a powder-coated top finish. This provides ultimate corrosion resistance in all climates around the world.



The slides can be chosen in six different colors and three materials: Straight or curved one-piece molded PE slides, made from 33% recycled post-consumer materials in different colours. Combined EcoCore™ sides and stainless-steel. Full stainless steel in one piece design for more vandalism proof solutions.



KOMPAN GreenLine versions are designed with ultimate environmentally friendly materials with lowest possible CO2e emission factor. TexMade post, EcoCore™ panels of 95% post-consumer recycled waste and molded PP decks.



Sustainability Data

PCM101721



Cradle to Gate A1-A3	Total CO ₂ emission	CO ₂ e/kg	Recycled materials
	kg CO ₂ e	kg CO ₂ e/kg	%
PCM101721-0651	510.32	1.55	67.35
PCM101721-0605	580.33	2.04	58.04

The overall framework applied for these factors is the Environmental Product Declaration (EPD), which quantifies "environmental information on the life cycle of a product and enable comparisons between products fulfilling the same function" (ISO, 2006). This follows the structure and applies a Life-Cycle Assessment approach to the entire Product stage from raw material through manufacturing (A1-A3))

Kompan A/S
C.F. Tietgens Boulevard 32C
DK-5220 Odense SØ
Denmark



Verification of CO₂ calculation of: Play systems



Data version no. 2023-10-05

The CO₂ calculation and data are in compliance with the principles of a carbon footprint impact according to the GHG protocol (Greenhouse Gas Protocol), Scope 3, cradle to gate related to all individual components in the product category: "Play systems" represented by item no.: PCM200321-0950.

(Scope 3 emissions include emission sources in the upstream and downstream value chain).

Date: 30. October 2023 | Valid until: 30. October 2025

Verified by:

Julie Marie Vejsgaard Larsen, LCA & EPD Consultant

Verification based on report: Validation of CO₂ calculation of 9 categories of Kompan product line, version 1.0, prepared by: Bureau Veritas HSE, Denmark: Julie M. V. Larsen.

Publication date: 30. October 2023

By Bureau Veritas HSE
www.bureauveritas.dk
+45 7731 1000

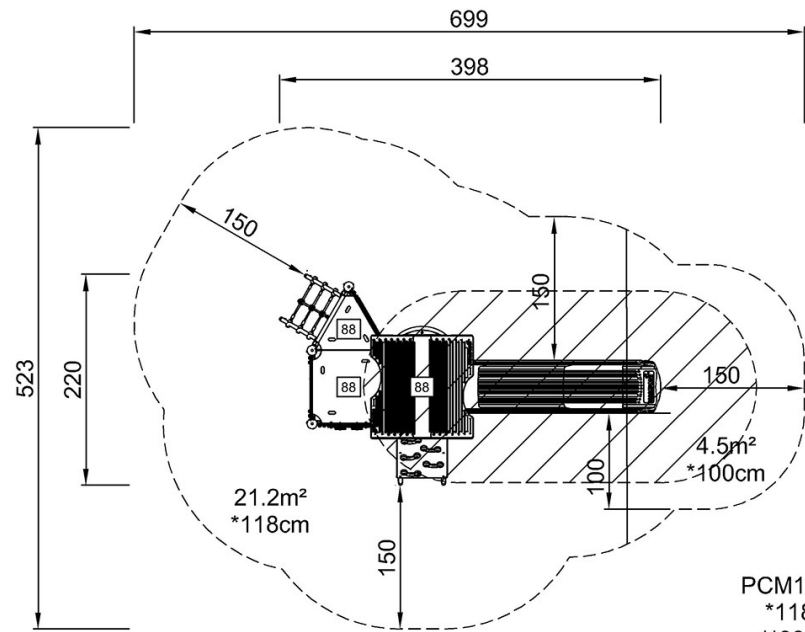


Multi Deck Play Tower

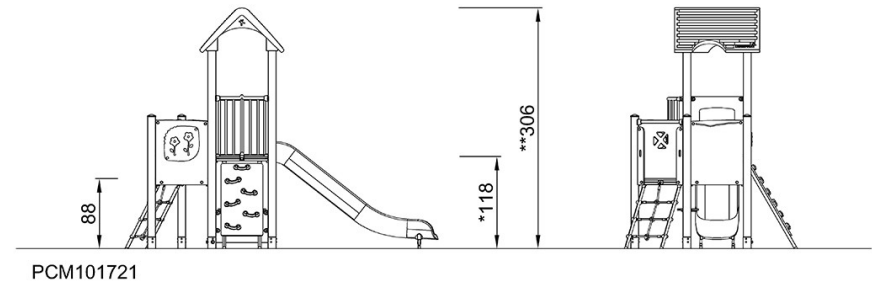
PCM101721

* Max fall height | ** Total height | *** Safety surfacing area

* Max fall height | ** Total height



PCM101721
*118cm
**306cm
**25.7m²



PCM101721

[Click to see TOP VIEW](#)

[Click to see SIDE VIEW](#)