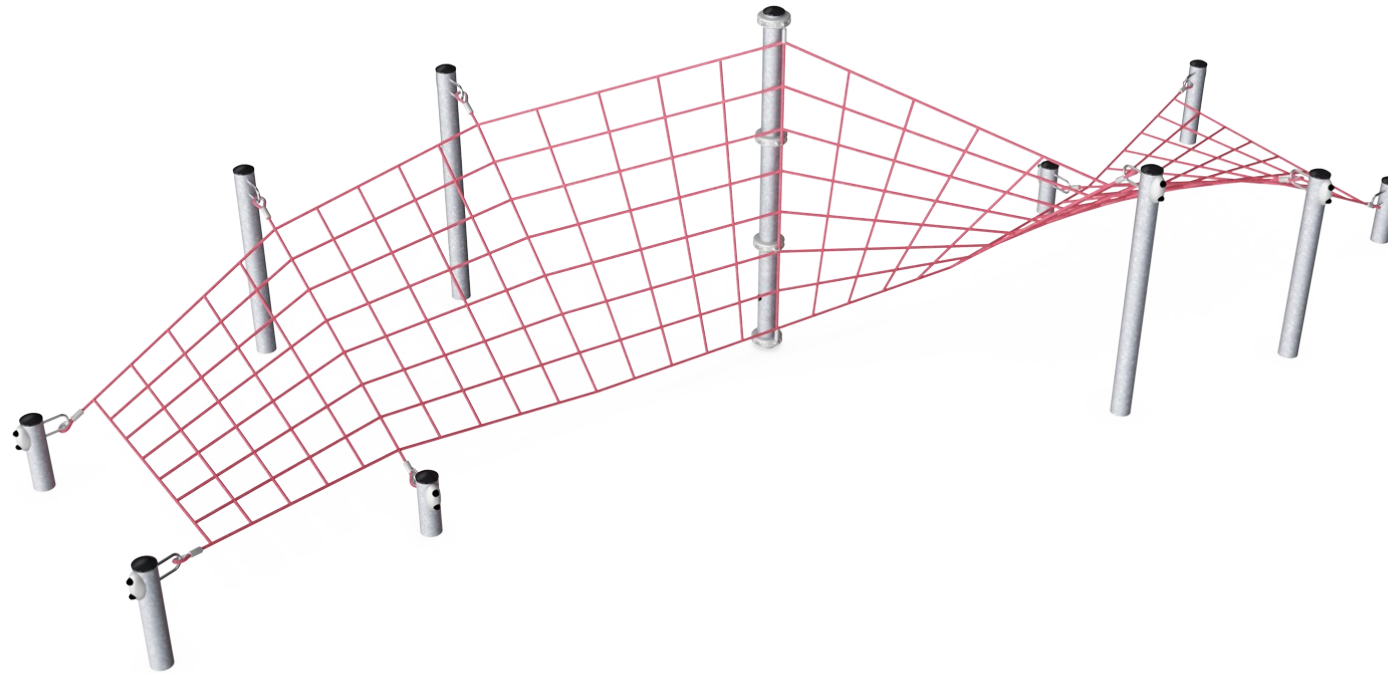


# Corkscrew Net

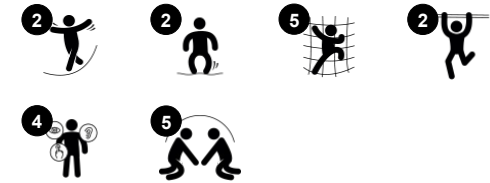
COR22900



Item no. COR229001-1101

## General Product Information

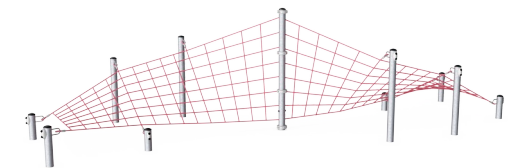
Dimensions LxWxH	996x423x250 cm
Age group	5 - 12
Play capacity (users)	18
Colour options	



The Corkscrew Net is a trail of adventure that will inspire children and adults to challenge themselves and play for a long time, as they try to master the challenges of the structure. The extended space on the net encourages endurance in the skills of agility, balance, and coordination. These skills are necessary for overall physical fitness and they inspire the

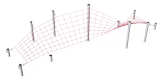
good feelings related to being physically active and setting goals to meet and accomplish. Children will be excited to navigate the twist and turn, that offers just the right amount of challenge and reward with the thrill of accomplishment and the excitement of feeling their bodies in space. The open design supports social engagement and friendly turn-

taking and support that can be enjoyed by all.



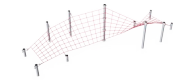
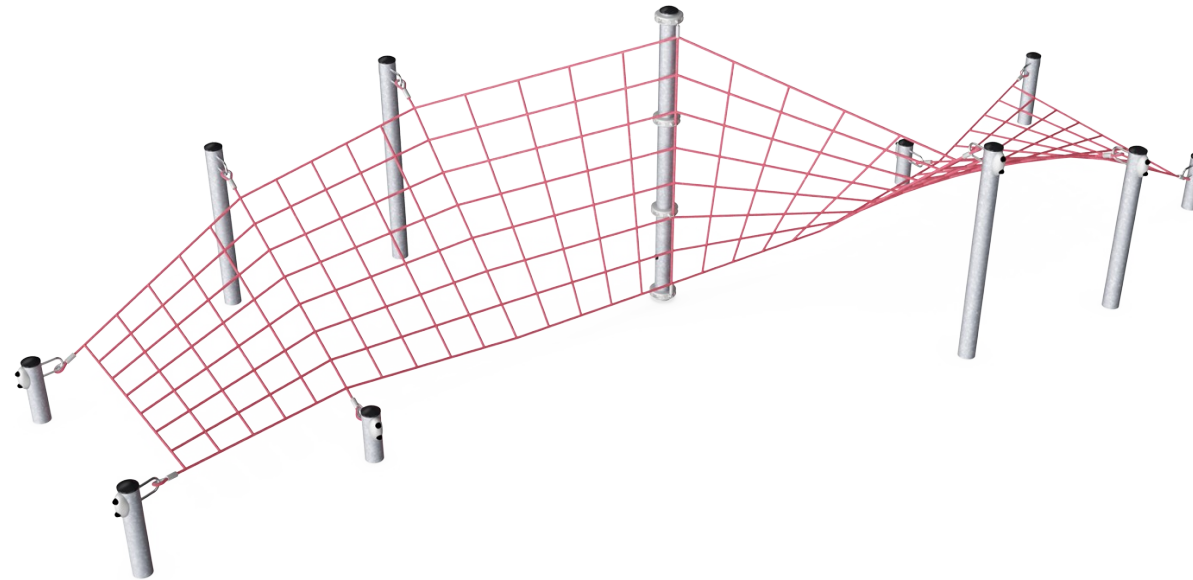
# Corkscrew Net

COR22900



## Height

**Social-Emotional:** children develop courage and self-regulation when being up high. This positively affects self-confidence.



## Twisted quadrangle amusement net

**Physical:** the twisted, transparent climb supports cross coordination as well as the sense of balance and space. Core, leg and arm muscles are trained, too. The motor skills and muscle training build body and movement confidence. **Social-Emotional:** the twisted shape creates varied seating possibilities and interaction from one side to the other. This develops empathy and cooperation.



## Mid climbing pole

**Physical:** crawling up and down the sturdy pole trains all muscles as well as coordination.  
**Social-Emotional:** the destination of the mid pole invites meeting and exchanging and spurs cooperation.

# Corkscrew Net

COR22900



Ropes of UV-stabilized PES rope strands with inner steel cable reinforcement. The polyester yarn is made from +95% post-consumer materials and is inductively melted onto each strand. The ropes are highly wear-and vandalism-resistant and can be replaced at site if needed.



Corocord 'S' clamps are used as universal connections in Corocord products. 8mm stainless steel rods with rounded edges are pressed around the ropes with a special hydraulic press, making them the ideal connector: safe, durable and vandalism-proof, all while allowing the typical movement of rope play structures.



The steel structure are hot dip galvanised inside and outside with lead free zinc. The galvanisation has excellent corrosion resistance in outside environments and requires low maintenance.



Corocord aluminium clamps are used as connectors between steel posts and rope. Two aluminium castings are bolted together. The height of the clamps is thus variable.



Through KOMPAN Variant Team, you can choose between additional 7 rope colours and customize your solution. The assortment is a wide span of colours ranking from elegant and expressive black or natural and toned-down hemp colour, to a range of attractive and eye-catching signal colours.

Item no. COR229001-1101

### Installation Information

Max. fall height	250 cm
Safety surfacing area	80.2 m <sup>2</sup>
Total installation time	13.6
Excavation volume	10.21 m <sup>3</sup>
Concrete volume	6.50 m <sup>3</sup>
Footing depth (standard)	110 cm
Shipment weight	674 kg
Anchoring options	In-ground ✓

### Warranty Information

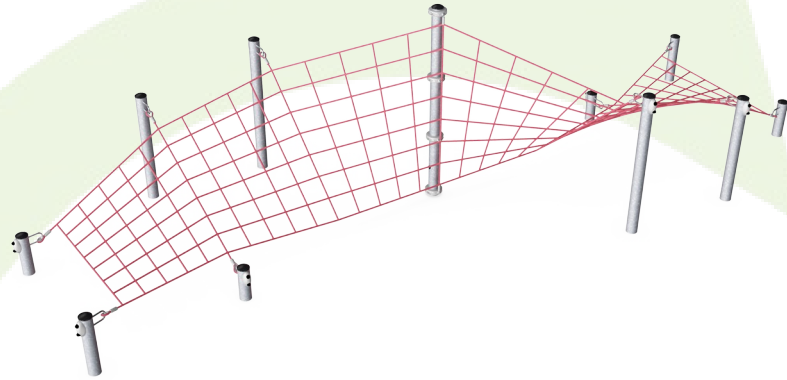
Aluminium clamps	10 years
Corocord rope	10 years
Hot dip galvanised steel	Lifetime
S-Clamps	10 years
Spare parts guaranteed	10 years

Elevated activities 0	Accessible elevated activities	Accessible ground level activities	Accessible ground level play types
Present	0	1	1
Required	0	1	1

**CSA  
Z614**  
compliant

# Sustainability Data

COR22900



Cradle to Gate A1-A3	Total CO <sub>2</sub> emission	CO <sub>2</sub> e/kg	Recycled materials
	kg CO <sub>2</sub> e	kg CO <sub>2</sub> e/kg	%
<b>COR229001-1101</b>	1,561.46	3.19	49.48

The overall framework applied for these factors is the Environmental Product Declaration (EPD), which quantifies "environmental information on the life cycle of a product and enable comparisons between products fulfilling the same function" (ISO, 2006). This follows the structure and applies a Life-Cycle Assessment approach to the entire Product stage from raw material through manufacturing (A1-A3))

**Kompan A/S**  
 C.F. Tietgens Boulevard 32C  
 DK-5220 Odense SØ  
 Denmark



## Verification of CO<sub>2</sub> calculation of: Corocord



Data version no. 2023-10-05

The CO<sub>2</sub> calculation and data are in compliance with the principles of a carbon footprint impact according to the GHG protocol (Greenhouse Gas Protocol), Scope 3, cradle to gate related to all individual components in the product category: "Corocord" represented by item no.: COR314011-1101.

(Scope 3 emissions include emission sources in the upstream and downstream value chain).

**Date: 30. October 2023 | Valid until: 30. October 2025**

Verified by:

Julie Marie Vejsgaard Larsen, LCA & EPD Consultant

Verification based on report: Validation of CO<sub>2</sub> calculation of 9 categories of Kompan product line, version 1.0, prepared by: Bureau Veritas HSE, Denmark: Julie M. V. Larsen.

**Publication date: 30. October 2023**

By Bureau Veritas HSE  
 www.bureauveritas.dk  
 +45 7731 1000

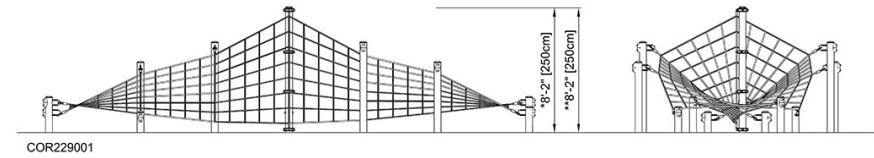
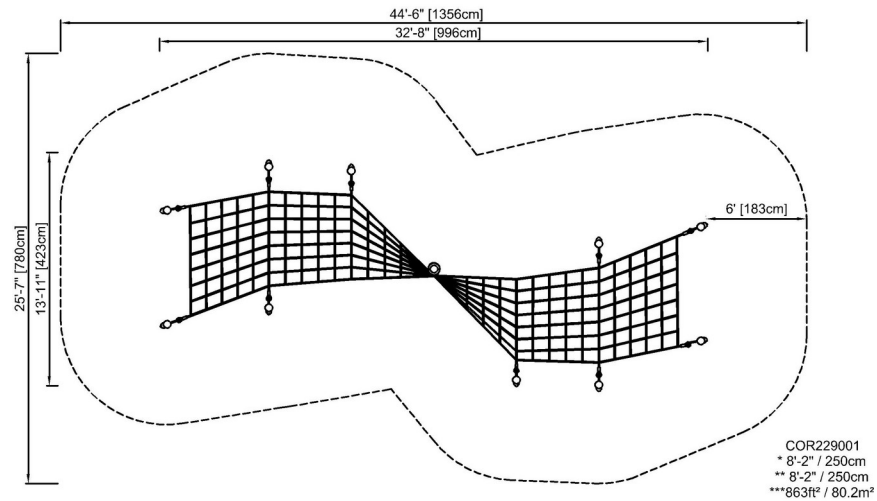


# Corkscrew Net

COR22900

\* Max fall height | \*\* Total height | \*\*\* Safety surfacing area

\* Max fall height | \*\* Total height



[Click to see TOP VIEW](#)

[Click to see SIDE VIEW](#)