

# Steam Engine

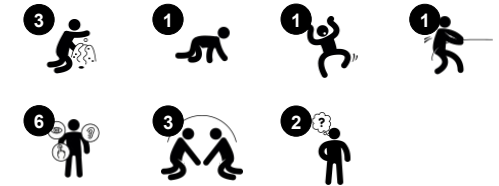
M525



Item no. M52570-3417P

## General Product Information

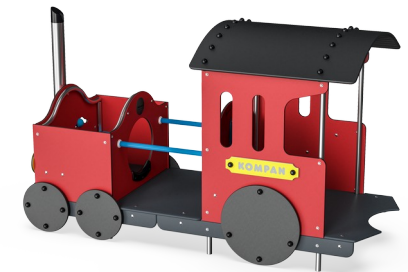
Dimensions LxWxH	288x123x165 cm
Age group	2+
Play capacity (users)	8
Colour options	



Choo-choo! This KOMPAN icon with its vibrant colours and many play compartments attracts children again and again. The red Steam Engine is a great themed item, something familiar to children, yet this takes them to the unknown. The Steam Engine holds 3 compartments of group play: the front with little play spheres that can be shifted and turned,

the open middle which can be accessed from both sides, and the driver compartment with a steering wheel and handhold to spur dramatic play. The openness of the design invites users of all abilities and with the combination of spatial shapes - open, closed to the sides, and roofed - the child can meander through different rooms, training the sense of space as

it crawls, climbs or moves around.



Data is subject to change without prior notice.

# Steam Engine

M525



## Theme

**Cognitive:** suggests a theme and supports dramatic play, which stimulates language and communication skills.



## Bench

**Social-Emotional:** gathering, cooperating or taking a break from play - all train social skills.



## Play sphere

**Social-Emotional:** can be played from both sides, encouraging cooperation. **Cognitive:** cause and effect understanding. **Creative:** leave a mark and place the spheres at different positions.



## Crawl-through hole

**Physical:** the hole allows for climbing and crawling through, developing cross coordination, proprioception and spatial awareness. **Social-Emotional:** cooperation and turn-taking when passing one another. **Cognitive:** understanding space, shape and measures when seeing if the body can fit through the hole.



## Turning wheel

**Cognitive:** the manipulative item stimulates cause and effect understanding.

# Steam Engine

M525



All floors are made of High-Pressure Laminate HPL with a thickness of 17.8 mm and non-skid surface texture. KOMPAN HPL is durable and have a long life expecting.



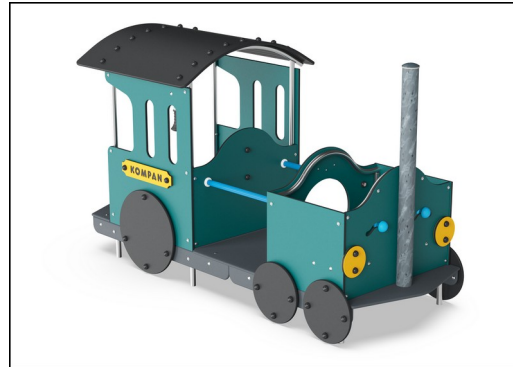
Turnable daisies are made of 19mm EcoCore™ HDPE which is a highly durable, eco-friendly material, which is not only recyclable after use but also consists of a core produced from 100% recycled material.



The steel surfaces are hot-dip galvanised inside and outside with lead-free zinc. The galvanisation has excellent corrosion resistance in outside environments and requires low maintenance.



Play activities like the play spheres are made of injection moulded high-quality UV stabilised nylon (PA6) which is a durable material that has high impact strength.



KOMPAN GreenLine versions are designed with ultimate environmentally friendly materials with the lowest possible CO2e emission factor such as EcoCore™ panels of 100% post consumer recycled ocean waste.

Item no. M52570-3417P

### Installation Information

Max. fall height	28 cm
Safety surfacing area	21.8 m <sup>2</sup>
Total installation time	10.3
Excavation volume	0.44 m <sup>3</sup>
Concrete volume	0.00 m <sup>3</sup>
Footing depth (standard)	60 cm
Shipment weight	378 kg
Anchoring options	In-ground ✓ Surface ✓

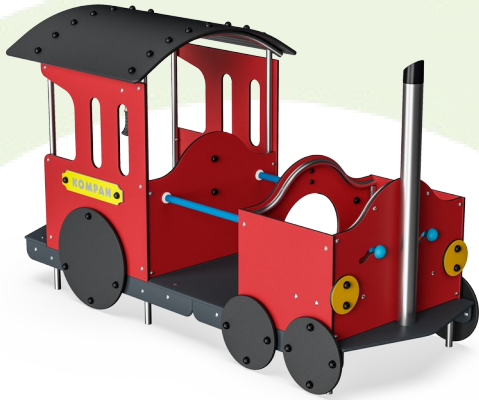
### Warranty Information

EcoCore HDPE	Lifetime
Galvanised Steel	Lifetime
HPL Decks	15 years
Movable Parts	2 years
Spare Parts Guarantee	10 years



# Sustainability Data

M525



<b>Cradle to Gate A1-A3</b>	<b>Total CO<sub>2</sub> emission</b>	<b>CO<sub>2</sub>e/kg</b>	<b>Recycled materials</b>
	kg CO <sub>2</sub> e	kg CO <sub>2</sub> e/kg	%
<b>M52570-3417P</b>	457.99	1.66	56.20

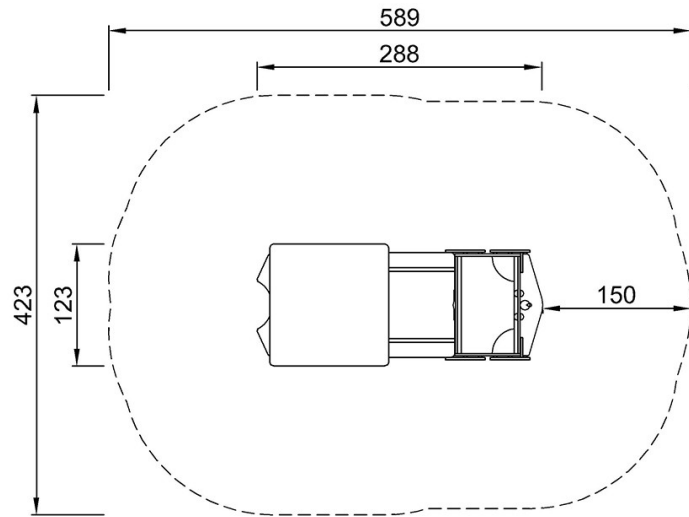
The overall framework applied for these factors is the Environmental Product Declaration (EPD), which quantifies "environmental information on the life cycle of a product and enable comparisons between products fulfilling the same function" (ISO, 2006). This follows the structure and applies a Life-Cycle Assessment approach to the entire Product stage from raw material through manufacturing (A1-A3))

# Steam Engine

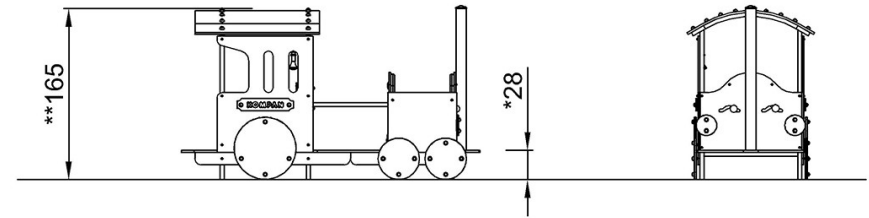
M525

\* Max fall height | \*\* Total height | \*\*\* Safety surfacing area

\* Max fall height | \*\* Total height



M52573  
\*28cm  
\*\*165cm  
\*\*\*21.8m<sup>2</sup>



M52573

[Click to see TOP VIEW](#)

[Click to see SIDE VIEW](#)