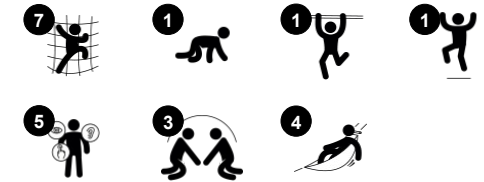


Arch Ladder, 4 ft

COR20200



Item no. COR202001-0301	
General Product Information	
Dimensions LxWxH	9'10"x3'5"x4'3"
Age group	2 - 5
Play capacity (users)	15
Color options	● ●



The Small Arc Ladder is an appealing climbing and meeting structure for the youngest players. The versatile climbing; up, down, through and across will attract children again and again. The swaying ropes with seats and ufos invite vertical climbing as well as a swaying rest with friends, seated or standing. The arc ladder makes a nice climb as well as a great

destination on top, offering a great view from above. Apart from having great fun exploring play possibilities, children develop their cross-coordination and muscle strength when climbing. The varied climbing possibilities makes it possible for both timid and courageous children to experience successful play and participate. This is important to

children's positive self perception. Passing others when climbing through trains turn-taking skills and consideration. The many places to sit stimulate social interaction.

Arch Ladder, 4 ft

COR20200



Rope ladder

Physical: the big steps allow for climbing and crawling through, supporting proprioception and spatial awareness. Climbing here takes big steps, developing cross coordination and muscle strength, arms pulling to get upwards.

Social-Emotional: the big meshes allow more children to be together, sharing.



Rope with rubber disc

Physical: children develop cross-body coordination and muscle strength when stepping onto the disc and climbing the rope. Their sense of balance is trained when swaying gently. The sense of balance is important for instance for being able to sit still.

Social-Emotional: socializing and turn-taking when deciding who should sit here.



Frame

Physical: develop children's upper body muscles and arm strength when hanging from arms. This is especially important due to sedentary lifestyles and back-pain in children.

Social-Emotional: develop children's turn-taking skills and empathy when passing others on the top frame.

Arch Ladder, 4 ft

COR20200



Corocord 16mm ropes are special 'Hercules'-type with galvanized four-stranded steel wires and a steel wire core. Each strand is tightly wrapped with PES yarn, which is melted onto each individual strand. The ropes are highly wear-and vandalism-resistant and can be replaced at site if needed.



The steel structure are hot dip galvanized inside and outside with lead free zinc. The galvanization has excellent corrosion resistance in outside environments and requires low maintenance.



Fully colored EPDM rubber discs with smooth surface. The moulded EPDM surrounds a hot dip galvanized steel core that ensures both the stability of the discs and durable fixation to the rope.

Item no. COR202001-0301	
Installation Information	
Max. fall height	4'3"
Safety surfacing area	293ft ²
Total installation time	4.8
Excavation volume	2.38yd ³
Concrete volume	1.7yd ³
Footing depth (standard)	2'11"
Shipment weight	299lbs
Anchoring options	In-ground ✓ Surface ✓
Warranty Information	
Corocord Rope	10 Years
EPDM components	2 Years
Hot dip galvanized steel	Lifetime
S-Clamps	10 Years
Spare Parts Availability	10 Years

Elevated activities 0	Accessible elevated activities	Accessible ground level activities	Accessible ground level play types
Present	0	1	1
Required	0	1	1

**ASTM
F1487**
compliant

Sustainability Data

COR20200



Cradle to Gate A1-A3	Total CO ₂ emission	CO ₂ e/kg	Recycled materials
	kg CO ₂ e	kg CO ₂ e/kg	%
COR202001-0301	369.87	2.99	45.00

The overall framework applied for these factors is the Environmental Product Declaration (EPD), which quantifies "environmental information on the life cycle of a product and enable comparisons between products fulfilling the same function" (ISO, 2006). This follows the structure and applies a Life-Cycle Assessment approach to the entire Product stage from raw material through manufacturing (A1-A3))

Kompan A/S
 C.F. Tietgens Boulevard 32C
 DK-5220 Odense SØ
 Denmark



Verification of CO₂ calculation of: Corocord



Data version no. 2023-10-05

The CO₂ calculation and data are in compliance with the principles of a carbon footprint impact according to the GHG protocol (Greenhouse Gas Protocol), Scope 3, cradle to gate related to all individual components in the product category: "Corocord" represented by item no.: COR314011-1101.

(Scope 3 emissions include emission sources in the upstream and downstream value chain).

Date: 30. October 2023 | Valid until: 30. October 2025

Verified by:

Julie Marie Vejsgaard Larsen, LCA & EPD Consultant

Verification based on report: Validation of CO₂ calculation of 9 categories of Kompan product line, version 1.0, prepared by: Bureau Veritas HSE, Denmark: Julie M. V. Larsen.

Publication date: 30. October 2023

By Bureau Veritas HSE
 www.bureauveritas.dk
 +45 7731 1000

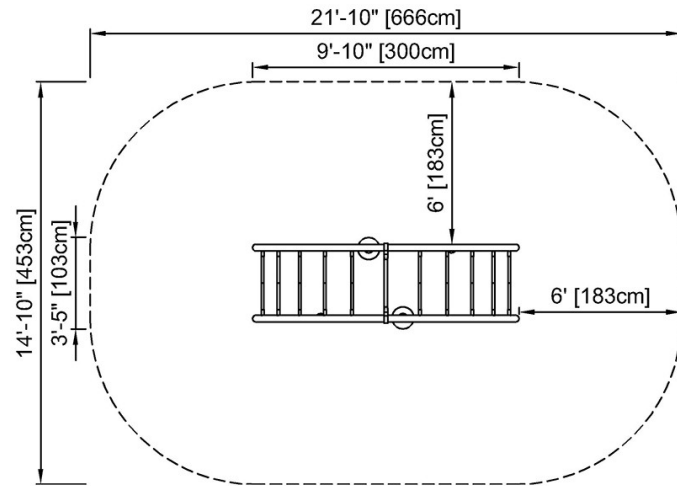


Arch Ladder, 4 ft

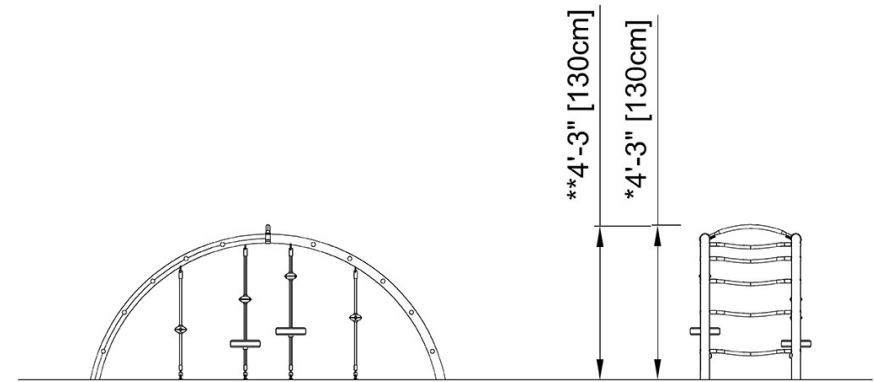
COR20200

* Max fall height | ** Total height | *** Safety surfacing area

* Max fall height | ** Total height



COR202001
* 4'-3" / 130cm
** 4'-3" / 130cm
*** 293ft² / 27.2m²



COR202001

[Click to see TOP VIEW](#)

[Click to see SIDE VIEW](#)