

Oasis Creator

NRO531



The Oasis Creator is an immensely attractive sand play unit that will absorb children in play for hours and hours. The crane is worked horizontally as well as vertically either by turning the grey plate or pulling the chain. The sand bucket will go up or down when pulling the chain. It will stay put when the chain is let go of. This, apart from providing fascinating

sand play, is a great training of children's logical thinking skills. The negotiation and cooperation to get sand to and from the sand table develops social-emotional skills. The sand table's sieve and tube lead sand away, training young children's understanding of object permanence: that things can still exist when out of sight. The sand wheel and shovel

adds a quieter sand play corner. The platforms are open and can be accessed in multiple ways, allowing for all users to play.



产品编号 NRO531-1021	
产品信息概览	
长宽高尺寸	318x345x337 cm
适用年龄段	2+
容纳人数	16
颜色选择	



Oasis Creator

NRO531



Sand crane

身体素质：hoisting the basket up and down trains arm muscles and dexterity. **社交情感**：cooperating with others e.g. receiving the bucket trains cooperation skills. **认知能力**：understanding the mechanism of the chains hoisting buckets up and down supports logical thinking skills. **创造力**：使用可留下印记的可移动游戏物品，有助于培养孩子的创造力。



支撑手持装置

身体素质：手柄可为不太自信的攀爬儿童提供良好的抓力。将自己拉起并拉入绳网，可锻炼上身肌肉。



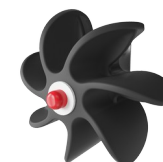
Sand desk with funnel

社交情感：孩子们可以一起收集和储存材料，合作互动和简单休息。 **认知能力**：sand can be shifted through the funnel, for understanding of cause and effect and object permanence: that materials don't vanish but run through at the other end.



Slope

身体素质：inclined crawling or walking up or down develops the sense of balance and cross coordination. **社交情感**：对年幼的孩子来说，绳网的倾斜度让攀爬更具安全感。



Sand wheel

认知能力：the turning sand wheel stimulates cause and effect understanding.



Sand shovel

身体素质：锻炼灵活性和上身肌肉。 **认知能力**：了解物体的持久性，掏空和装满勺子。

Oasis Creator

NRO531

KOMPAN
Let's play



KOMPAN 的所有有机刺槐产品均由 刺槐木材制成，来自欧洲的可持续环保木材。可根据要求提供 FSC® Certified (FSC® C004450)



用于彩色组分的涂料是水基环保型涂料，具有出色的抗紫外线性能。涂料符合 EN 71 第 3 部分的规定。



Robinia 产品采用 KOMPAN 颜色概念设计，具有多种不同的标准颜色。木材可以不经处理或涂有保持木质颜色的棕漆。

产品编号 NRO531-1021

安装信息

最大跌落高度	88 cm
安全面积	30.5 m ²
安装总时长	19.4
开挖量	0.45 m ³
混凝土使用量	0.00 m ³
标准入地深度	100 cm
运输重量	859 kg
固定选项	入地 ✓

质保信息

Robinia 木材	15 年
绳网	10 年
承保零部件	10 年
不锈钢零件	终身质保
不锈钢零件	终身质保



产品 / 活动出厂时已预先组装，以确保考虑到所有安全要求。



Sustainability Data

NRO531



从原材料到成品

CO₂ 排放总量

kg CO₂e

CO₂ 排放量 / 千克

kg CO₂e/kg

回收的原料

%

NRO531-1021

302.63

0.44

4.38

这些因素采用的总体框架为环保产品声明 (EPD), 该声明可量化“产品生命周期的环保信息, 并对相同功能的产品进行对比”(ISO, 2006)。在遵循该框架的同时, 对从原材料到制造的整个产品阶段 (A1-A3) 应用生命周期评估法。

Kompan A/S

C.F. Tietgens Boulevard 32C
DK-5220 Odense SØ
Denmark

Validation of CO₂ calculation method
BUREAU VERITAS
HSE Denmark A/S



Verification of CO₂ calculation of: Nature play



Data version no. 2023-10-05

The CO₂ calculation and data are in compliance with the principles of a carbon footprint impact according to the GHG protocol (Greenhouse Gas Protocol), Scope 3, cradle to gate related to all individual components in the product category: "Nature play" represented by item no.: NRO409-0621.

(Scope 3 emissions include emission sources in the upstream and downstream value chain).

Date: 30. October 2023 | Valid until: 30. October 2025

Verified by:

Julie Marie Vejsgaard Larsen, LCA & EPD Consultant

Verification based on report: Validation of CO₂ calculation of 9 categories of Kompan product line, version 1.0, prepared by: Bureau Veritas HSE, Denmark: Julie M. V. Larsen.

Publication date: 30. October 2023

By Bureau Veritas HSE
www.bureauveritas.dk
+45 7731 1000

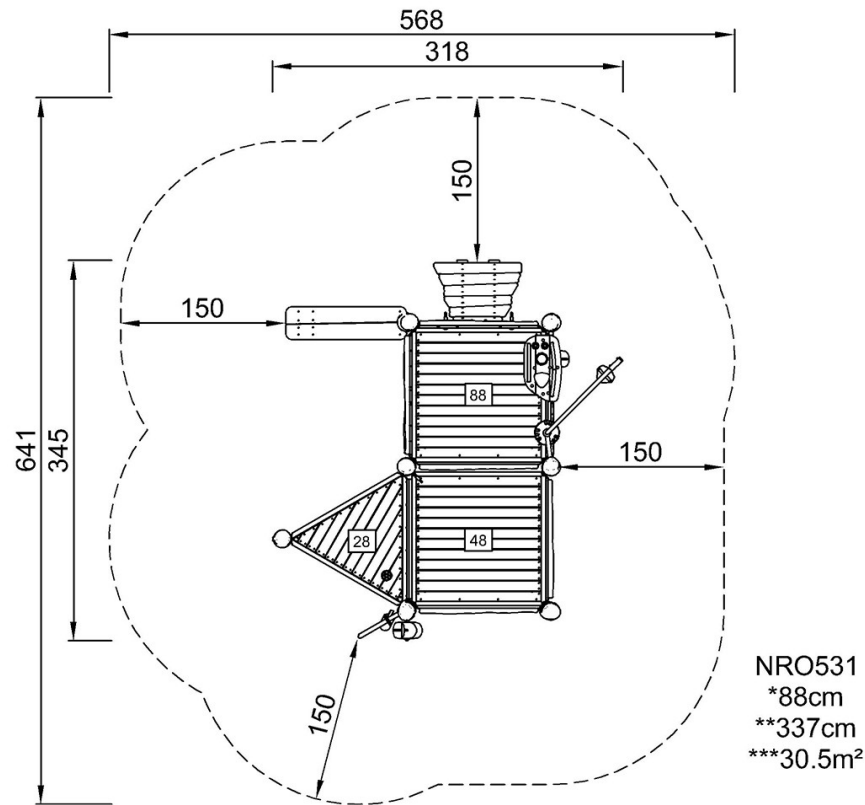


Oasis Creator

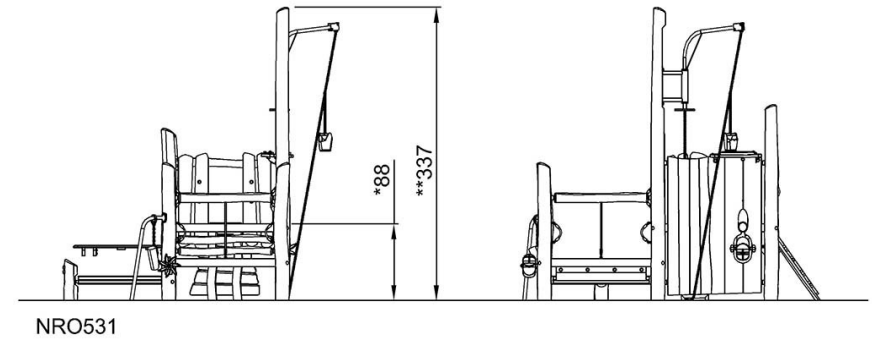
NRO531

最大跌落高度 | 总高度 | 安全区域

最大跌落高度 | 总高度



[点击查看俯视图](#)



[点击查看侧面图](#)