

Forest Shop

NRO407



Item no. NRO407-0621	
General Product Information	
Dimensions LxWxH	5'3"x6'4"x8'6"
Age group	2 - 5
Play capacity (users)	7
Color options	



The WOW of the open Forest shop with its nice, curved roof is immense. It can be entered and played from all sides and allows for interaction from the inside-out and vice versa. This makes it a universally designed unit that can be used by all ages and abilities. The two counters are great for exchanging, for storing stuff or supporting sand play. The sand wheel

adds to the tactile experience of sand play, training children's cause-and-effect understanding. The sieve in the table children shift sand through. For young children that trains their understanding of object permanence: that things still exist when they are out of sight. The Forest Shop inspires dramatic play, which is great for children's

language development and cognitive-creative skills. The den character of the Forest Shop supports breaks and social development



Forest Shop

NRO407



Theme

Cognitive: suggests a theme and supports dramatic play, which stimulates language and communication skills.



Open space

Social-Emotional: the open space allows for more children to be together and share. This builds important life skills like courage, self-confidence, consideration and turn-taking.



Desk with bowl and sieve

Social-Emotional: children can gather and store materials, cooperate and take a break together. **Creative:** sand can be shifted through the sieve, for understanding of cause and effect and object permanence.



Desk

Social-Emotional: great meeting place and space creator for storing or sitting.



Sand wheel

Cognitive: the turning sand wheel stimulates cause and effect understanding.

Forest Shop

NRO407



All Organic Robinia products by KOMPAN are made of Robinia wood from sustainable European sources. On request it can be supplied as FSC® Certified (FSC® C004450).

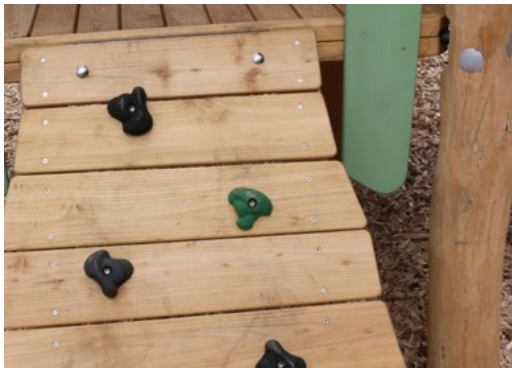


The paint used for coloured components is water based environmentally friendly with excellent UV resistance. The paint is in compliance with EN 71 Part 3.



The Robinia products are designed with a KOMPAN color concept with a number of different standard colors. The wood can also be supplied as untreated or with brown painted with a pigment that maintains the wood color.

Item no. NRO407-0621	
Installation Information	
Max. fall height	0'0"
Safety surfacing area	0ft ²
Total installation time	9.6
Excavation volume	0.22yd ³
Concrete volume	0yd ³
Footing depth (standard)	2'0"
Shipment weight	1091lbs
Anchoring options	In-ground ✓ Surface ✓
Warranty Information	
Hot dip galvanized steel	Lifetime
PUR components	10 Years
Robinia Wood	10 Years
Spare Parts Availability	10 Years



The product/activities are preassembled from the factory to ensure all safety requirements are considered.



The hardware is made of stainless steel or galvanized steel to ensure durable connections with a high corrosion resistance.

Elevated activities 0	Accessible elevated activities	Accessible ground level activities	Accessible ground level play types
Present	0	1	1
Required	0	1	1

**ASTM
F1487**
compliant

Sustainability Data

NRO407



Cradle to Gate A1-A3	Total CO ₂ emission	CO ₂ e/kg	Recycled materials
	kg CO ₂ e	kg CO ₂ e/kg	%
NRO407-0621	107.15	0.24	1.92

The overall framework applied for these factors is the Environmental Product Declaration (EPD), which quantifies "environmental information on the life cycle of a product and enable comparisons between products fulfilling the same function" (ISO, 2006). This follows the structure and applies a Life-Cycle Assessment approach to the entire Product stage from raw material through manufacturing (A1-A3))

Kompan A/S
 C.F. Tietgens Boulevard 32C
 DK-5220 Odense SØ
 Denmark



Verification of CO₂ calculation of: Nature play



Data version no. 2023-10-05

The CO₂ calculation and data are in compliance with the principles of a carbon footprint impact according to the GHG protocol (Greenhouse Gas Protocol), Scope 3, cradle to gate related to all individual components in the product category: "Nature play" represented by item no.: NRO409-0621.

(Scope 3 emissions include emission sources in the upstream and downstream value chain).

Date: 30. October 2023 | Valid until: 30. October 2025

Verified by:

Julie Marie Vejsgaard Larsen, LCA & EPD Consultant

Verification based on report: Validation of CO₂ calculation of 9 categories of Kompan product line, version 1.0, prepared by: Bureau Veritas HSE, Denmark: Julie M. V. Larsen.

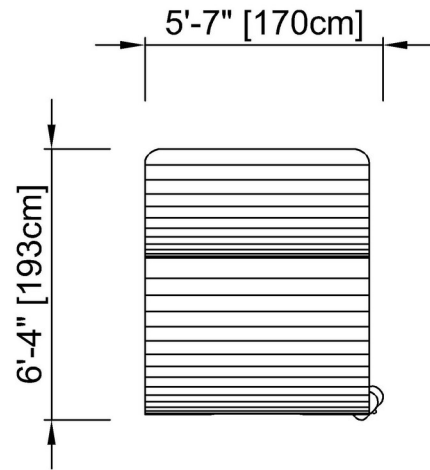
Publication date: 30. October 2023

By Bureau Veritas HSE
 www.bureauveritas.dk
 +45 7731 1000

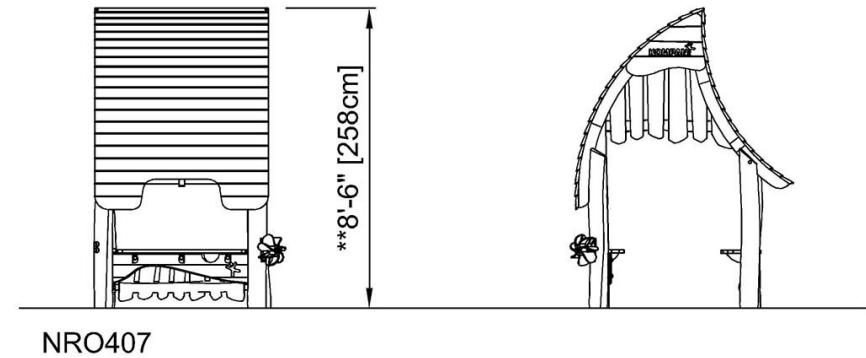


* Max fall height | ** Total height | *** Safety surfacing area

* Max fall height | ** Total height



NRO407
** 8'-6" / 258cm



[Click to see TOP VIEW](#)

[Click to see SIDE VIEW](#)