


Tower with Fireman's Pole

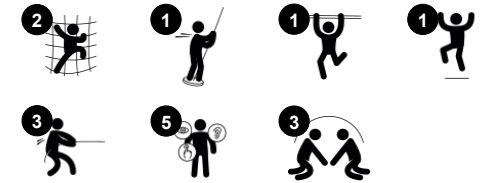
NRO1005



Item no. NRO1005-1001

General Product Information

Dimensions LxWxH	223x169x359 cm
Age group	4+
Play capacity (users)	6
Color options	 



The Tower with Fireman's Pole appeals immensely to children. With its climb and glide variation, children will try it out again, training cardio and muscles as they loop the Fireman's Pole and the varied access points. The inclined net access is a fun challenge to climb, and it trains the child's proprioception: the awareness of where the body parts are in space and how

much force and distance it takes to move securely. The sturdy stair-step is an even more challenging with its chunky-grip, vertical steps. The platform offers a nice view. The fireman's pole is dare devils favourite whilst also training the children's muscles, their spatial awareness and last but not least their bone density. This is built up for life mainly in childhood, through

weight bearing activities such as jumping and running.



Tower with Fireman's Pole

NRO1005



All Organic Robinia products by KOMPAN are made of Robinia wood from sustainable European sources. On request it can be supplied as FSC® Certified (FSC® C004450).



Ropes of UV-stabilized PES rope strands with inner steel cable reinforcement. The polyester yarn is made from +95% post-consumer materials and is inductively melted onto each strand.



The stainless-steel activities are made of high-quality stainless steel. The steel is cleaned by a total pickling process after manufacturing to ensure a smooth and clean gliding surfaces.

Item no. NRO1005-1001	
Installation Information	
Max. fall height	150 cm
Safety surfacing area	18.7 m ²
Total installation time	7.8
Excavation volume	0.94 m ³
Concrete volume	0.23 m ³
Footing depth (standard)	100 cm
Shipment weight	348 kg
Anchoring options	In-ground ✓ Surface ✓



The Robinia wood can be supplied as untreated raw wood, painted with a brown coloured transparent pigment that maintains the golden wood colour or in a coloured version where selected components are painted in different colours.



Sustainability Data

NRO1005



Cradle to Gate A1-A3	Total CO ₂ emission	CO ₂ e/kg	Recycled materials
	kg CO ₂ e	kg CO ₂ e/kg	%
NRO1005-1001	132.80	0.47	4.60

The overall framework applied for these factors is the Environmental Product Declaration (EPD), which quantifies "environmental information on the life cycle of a product and enable comparisons between products fulfilling the same function" (ISO, 2006). This follows the structure and applies a Life-Cycle Assessment approach to the entire Product stage from raw material through manufacturing (A1-A3))

Kompan A/S
 C.F. Tietgens Boulevard 32C
 DK-5220 Odense SØ
 Denmark



Verification of CO₂ calculation of: Nature play



Data version no. 2023-10-05

The CO₂ calculation and data are in compliance with the principles of a carbon footprint impact according to the GHG protocol (Greenhouse Gas Protocol), Scope 3, cradle to gate related to all individual components in the product category: "Nature play" represented by item no.: NRO409-0621.

(Scope 3 emissions include emission sources in the upstream and downstream value chain).

Date: 30. October 2023 | Valid until: 30. October 2025

Verified by:

Julie Marie Vejsgaard Larsen, LCA & EPD Consultant

Verification based on report: Validation of CO₂ calculation of 9 categories of Kompan product line, version 1.0, prepared by: Bureau Veritas HSE, Denmark: Julie M. V. Larsen.

Publication date: 30. October 2023

By Bureau Veritas HSE
 www.bureauveritas.dk
 +45 7731 1000

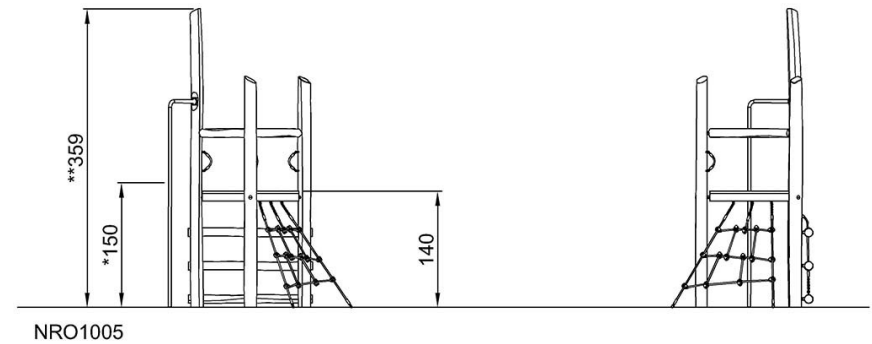
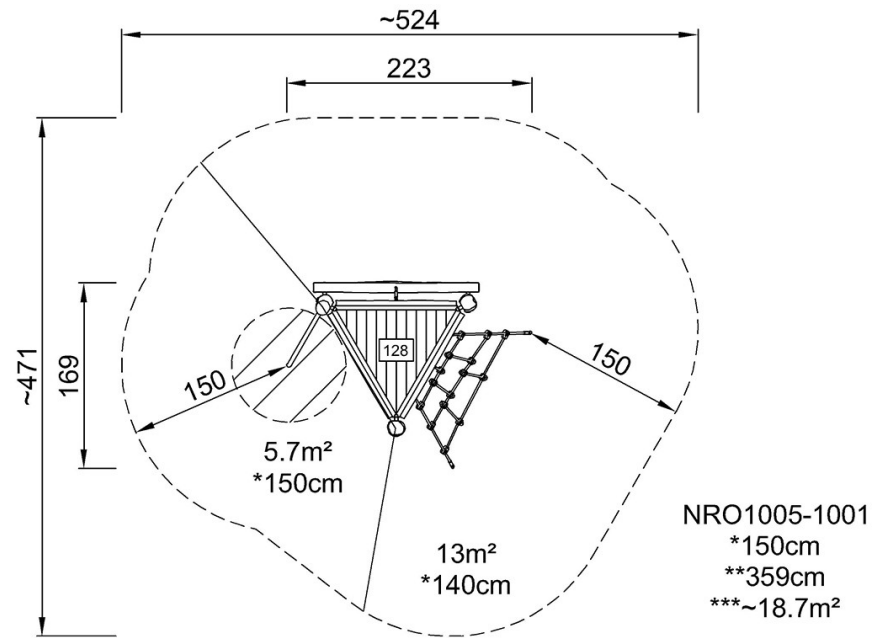


Tower with Fireman's Pole

NRO1005

* Max fall height | ** Total height | *** Safety surfacing area

* Max fall height | ** Total height



[Click to see TOP VIEW](#)

[Click to see SIDE VIEW](#)