


Stainless Steel Slide, 1.8m high

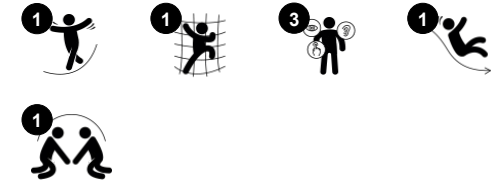
KPL304



Stainless steel playground slides are a childhood favourite and are a must-have for any local park. When sliding on a KOMPAN slide, children develop life-long skills such as turn-taking, empathy, and courage. Users also train their core muscles, sense of balance and motor skills while sliding. Cross-coordination skills are gained when climbing up the ladder.

KOMPAN commercial stainless steel slides come in various highs and lengths and are suitable for any public park as they are an excellent vandal resistance option that requires low maintenance. View other KOMPAN slide options here

Item no. KPL304-0601	
General Product Information	
Dimensions LxWxH	54x377x277 cm
Age group	4+
Play capacity (users)	3
Colour options	



Stainless Steel Slide, 1.8m high

KPL304



Pipe ladder

Physical: cross coordination and eye-hand coordination are supported when children climb the ladder. The climbing also supports leg and arm muscles. **Social-Emotional:** learning about turn taking and cooperation.



Slide

Physical: develops spatial awareness, sense of balance and trains core muscles when sitting upright going down. **Social-Emotional:** empathy stimulated by turn-taking.

Stainless Steel Slide, 1.8m high

KPL304



The stainless-steel slides with one-piece slide bed are made of high-quality stainless-steel AISI 304.



The steel surfaces are hot-dip galvanised inside and outside with lead-free zinc. The galvanisation has excellent corrosion resistance in outside environments and requires low maintenance.



Panels of 19mm EcoCore™. EcoCore™ is a highly durable, eco-friendly material, which is not only recyclable after use but also consists of a core produced from 100% recycled material.

Item no. KPL304-0601	
Installation Information	
Max. fall height	185 cm
Safety surfacing area	23.1 m ²
Total installation time	3.9
Excavation volume	0.34 m ³
Concrete volume	0.07 m ³
Footing depth (standard)	60 cm
Shipment weight	175 kg
Anchoring options	In-ground ✓ Surface ✓
Warranty Information	
EcoCore HDPE	Lifetime
Galvanised Steel	Lifetime
Spare Parts Guarantee	10 years
Stainless Steel Slide	10 years



Sustainability Data

KPL304



Cradle to Gate A1-A3	Total CO ₂ emission	CO ₂ e/kg	Recycled materials
	kg CO ₂ e	kg CO ₂ e/kg	%
KPL304-0601	395.21	3.45	51.18

The overall framework applied for these factors is the Environmental Product Declaration (EPD), which quantifies "environmental information on the life cycle of a product and enable comparisons between products fulfilling the same function" (ISO, 2006). This follows the structure and applies a Life-Cycle Assessment approach to the entire Product stage from raw material through manufacturing (A1-A3))

Kompan A/S
 C.F. Tietgens Boulevard 32C
 DK-5220 Odense SØ
 Denmark



Verification of CO₂ calculation of: Freestanding play equipment



Data version no. 2023-10-05

The CO₂ calculation and data are in compliance with the principles of a carbon footprint impact according to the GHG protocol (Greenhouse Gas Protocol), Scope 3, cradle to gate related to all individual components in the product category: "Freestanding play equipment" represented by item no.: GXY916012-3417.

(Scope 3 emissions include emission sources in the upstream and downstream value chain).

Date: 30. October 2023 | Valid until: 30. October 2025

Verified by:

Julie Marie Vejsgaard Larsen, LCA & EPD Consultant

Verification based on report: Validation of CO₂ calculation of 9 categories of Kompan product line, version 1.0, prepared by: Bureau Veritas HSE, Denmark: Julie M. V. Larsen.

Publication date: 30. October 2023

By Bureau Veritas HSE
 www.bureauveritas.dk
 +45 7731 1000

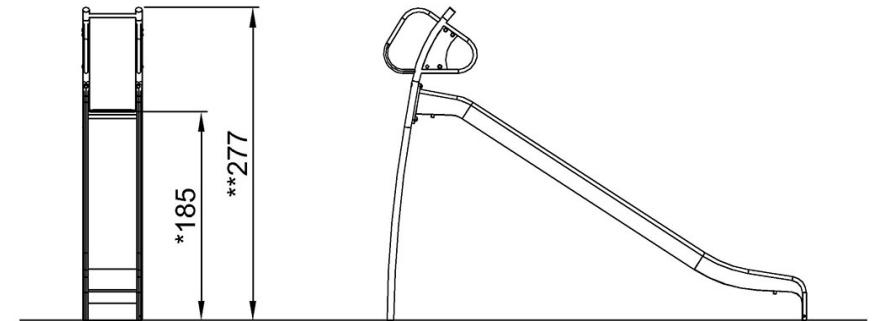
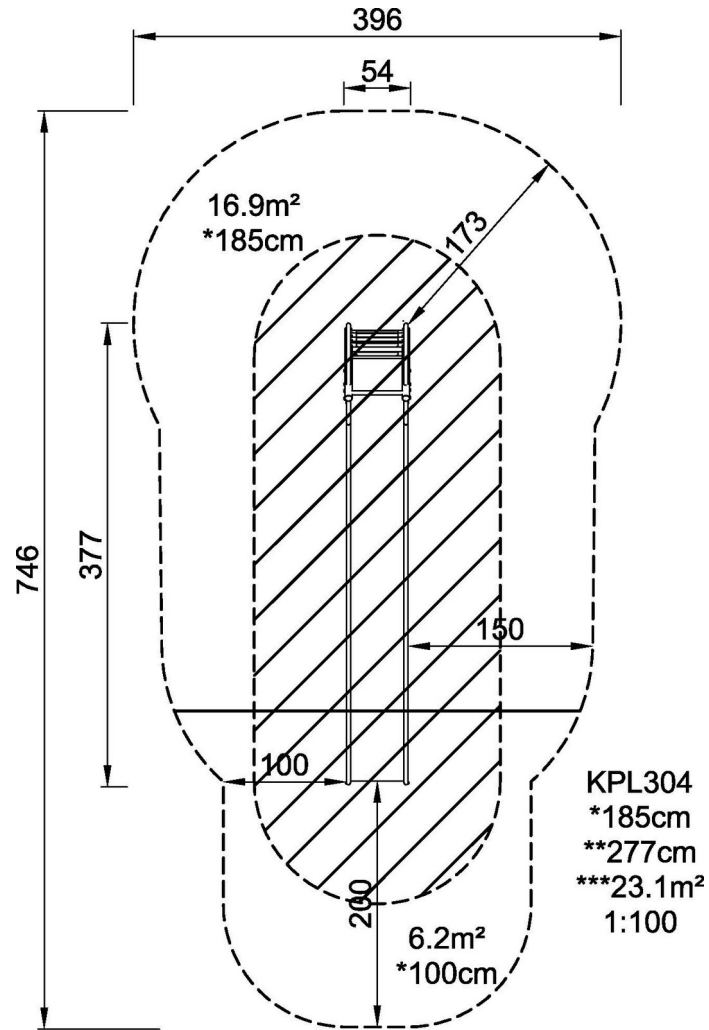


Stainless Steel Slide, 1.8m high

KPL304

* Max fall height | ** Total height | *** Safety surfacing area

* Max fall height | ** Total height



KPL304

[Click to see TOP VIEW](#)

[Click to see SIDE VIEW](#)