

Gold Mine

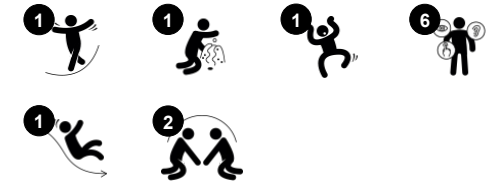
NAT504



Item no. NAT504-0612

General Product Information

Dimensions LxWxH	159x228x138 cm
Age group	1+
Play capacity (users)	3
Colour options	●



The Gold Mine with its sturdy look-out tower and red slide attracts children immediately: they want to loop the hill and slide, experiencing the tickle in the stomach again and again. And they want to run over and crawl under the platform. The versatile 3-in-1 activity of the Gold Mine trains a rich variety of motor and muscle skills in toddlers: they train their

spatial awareness and incorporate important concepts such as above and below, over and under, which are crucial for a later understanding of mathematical terms. Running or crawling up and down hill is good for cross-coordination as this fundamental motor skill stimulates the centres in the brain that support reading skills. When sliding The Gold Mine,

toddlers train their trunk stability and sense of balance. These are fundamental for physical confidence.



Data is subject to change without prior notice.

Gold Mine

NAT504



Binoculars

Cognitive: the binoculars set a tangible theme and thus spur dramatic play. Dramatic play is a great trainer of language and communication skills. **Creative:** the binoculars can be turned in all directions. Looking through them gives a new perspective on the world.



Slide

Physical: sliding develops spatial awareness and a sense of balance. Furthermore, the core muscles are trained when sitting upright going down. **Social-Emotional:** empathy stimulated by turn-taking. **Cognitive:** young children develop their understanding of space, speed and distances when sliding down quickly.

Gold Mine

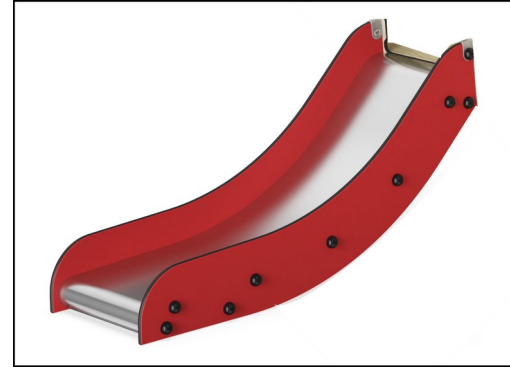
NAT504



Posts and boards are made of pine wood from sustainable European sources. The wood is pressure impregnated Class 3 with Tanalith E3475 according to EN335 (Equivalent to NTR Class AB). On request it can be supplied as FSC® Certified (FSC® C004450).



Panels of 19mm EcoCore™. EcoCore™ is a highly durable, eco friendly material, which is not only recyclable after use, but also consists of material produced from +95% recycled post consumer material from food packing waste.



The slide is made of combined EcoCore™ sides and stainless steel slide bed t=2mm.



Ropes of UV-stabilized PES rope strands with inner steel cable reinforcement. The polyester yarn is made from +95% post-consumer materials and is inductively melted onto each strand.



Binoculars are made of PUR. All components retain their properties in the temperature range of -30°C to 60°C. Material is UV stabilised.

Item no. NAT504-0612

Installation Information

Max. fall height	100 cm
Safety surfacing area	19.0 m²
Total installation time	7.2
Excavation volume	0.69 m³
Concrete volume	0.00 m³
Footing depth (standard)	59 cm
Shipment weight	174 kg
Anchoring options	In-ground ✓ Surface ✓

Warranty Information

EcoCore HDPE	Lifetime
Hot dip galvanised steel	Lifetime
Pinewood	10 years
Ropes & nets	10 years
Spare parts guaranteed	10 years



Sustainability Data

NAT504



Cradle to Gate A1-A3	Total CO ₂ emission	CO ₂ e/kg	Recycled materials
	kg CO ₂ e	kg CO ₂ e/kg	%
NAT504-0612	190.43	1.49	47.03

The overall framework applied for these factors is the Environmental Product Declaration (EPD), which quantifies "environmental information on the life cycle of a product and enable comparisons between products fulfilling the same function" (ISO, 2006). This follows the structure and applies a Life-Cycle Assessment approach to the entire Product stage from raw material through manufacturing (A1-A3))

Kompan A/S
 C.F. Tietgens Boulevard 32C
 DK-5220 Odense SØ
 Denmark



Verification of CO₂ calculation of: Nature play



Data version no. 2023-10-05

The CO₂ calculation and data are in compliance with the principles of a carbon footprint impact according to the GHG protocol (Greenhouse Gas Protocol), Scope 3, cradle to gate related to all individual components in the product category: "Nature play" represented by item no.: NRO409-0621.

(Scope 3 emissions include emission sources in the upstream and downstream value chain).

Date: 30. October 2023 | Valid until: 30. October 2025

Verified by:

Julie Marie Vejsgaard Larsen, LCA & EPD Consultant

Verification based on report: Validation of CO₂ calculation of 9 categories of Kompan product line, version 1.0, prepared by: Bureau Veritas HSE, Denmark: Julie M. V. Larsen.

Publication date: 30. October 2023

By Bureau Veritas HSE
 www.bureauveritas.dk
 +45 7731 1000

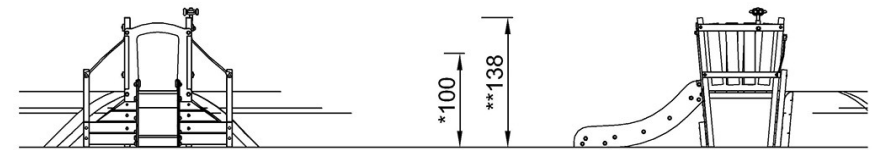
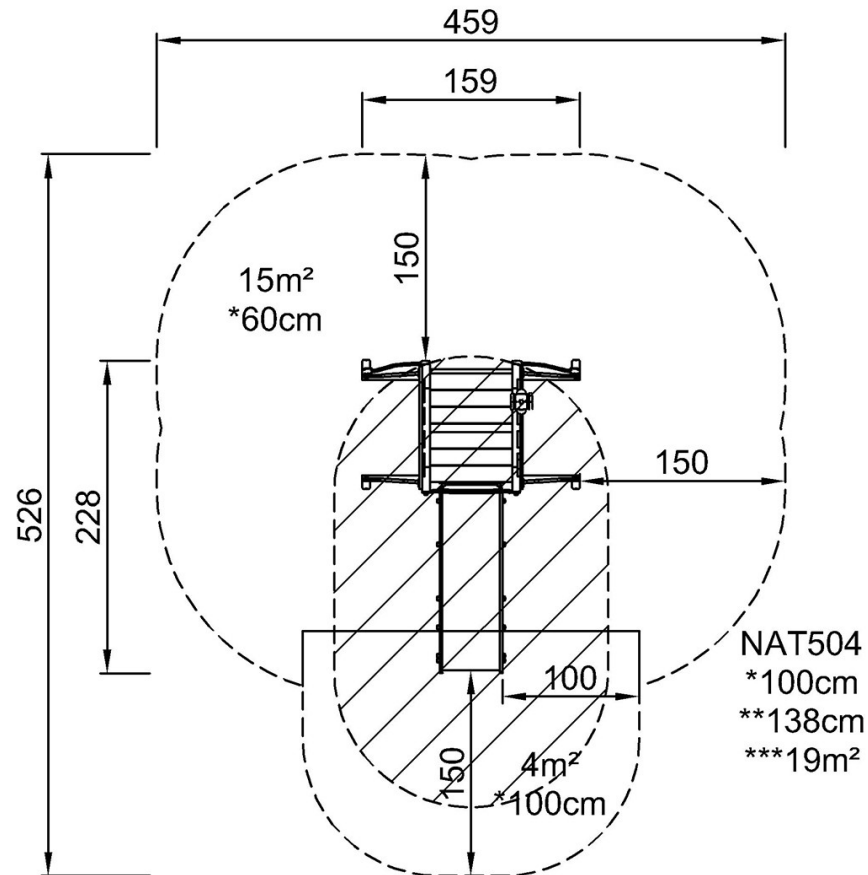


Gold Mine

NAT504

* Max fall height | ** Total height | *** Safety surfacing area

* Max fall height | ** Total height



NAT504

[Click to see TOP VIEW](#)

[Click to see SIDE VIEW](#)