



# Seesaw, 2 people

NRO105



Item no. NRO105-1001	
<b>General Product Information</b>	
Dimensions LxWxH	13'6"x1'8"x3'9"
Age group	5 - 12
Play capacity (users)	2
Color options	 

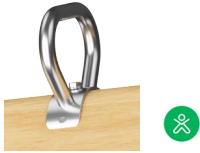


The Seesaw is a playground classic. It invites players again and again, as it has for generations. This time-honored play event is still with us for a reason: the thrill of going up high and going down fast is eternally appealing. The Seesaw develops the sense of space and rhythm and trains leg muscles. These are crucial motor skills that help children

navigate the world securely, e.g. in the street when estimating time, movement and objects. The social dimension and trust in your peers that is demanded when seesawing, is great training of social-emotional life skills such as turn-taking and cooperation. Empathy is trained as well, as players consider others' limits and limitations.

# Seesaw, 2 people

NRO105



## Handhold

**Physical:** the vertical handgrips ensure a firm grip at different heights, necessary for rocking intensely. This trains hand and arm muscles.



## Rocking together

**Social-Emotional:** the possibility of rocking together develops cooperation skills and consideration of others when rocking.



## Rocking movement

**Physical:** response to movement increases spatial awareness and sense of balance. These are fundamental motor skills that help the child's ability to sit still on a chair which takes a good sense of balance. **Cognitive:** trains the understanding of cause and effect: when I move my body, the spring responds with movement.

# Seesaw, 2 people

NRO105



All Organic Robinia products by KOMPAN are made of Robinia wood from sustainable European sources. On request it can be supplied as FSC® Certified (FSC® C004450).



The hardware is made of stainless steel or galvanized steel to ensure durable connections with a high corrosion resistance.



The Robinia wood can be supplied as untreated raw wood or painted with a brown colored transparent pigment that maintains the golden wood color of the wood.

Item no. NRO105-1001	
Installation Information	
Max. fall height	3'9"
Safety surfacing area	292ft <sup>2</sup>
Total installation time	3.7
Excavation volume	0.76yd <sup>3</sup>
Concrete volume	0.21yd <sup>3</sup>
Footing depth (standard)	3'3"
Shipment weight	400lbs
Anchoring options	In-ground ✓
Warranty Information	
Robinia Wood	10 Years
Spare Parts Availability	10 Years
Stainless steel components	Lifetime

Elevated activities 0	Accessible elevated activities	Accessible ground level activities	Accessible ground level play types
Present	0	1	1
Required	0	1	1



# Sustainability Data

NRO105



Cradle to Gate A1-A3	Total CO <sub>2</sub> emission	CO <sub>2</sub> e/kg	Recycled materials
	kg CO <sub>2</sub> e	kg CO <sub>2</sub> e/kg	%
NRO105-1001	64.74	0.41	19.59

The overall framework applied for these factors is the Environmental Product Declaration (EPD), which quantifies "environmental information on the life cycle of a product and enable comparisons between products fulfilling the same function" (ISO, 2006). This follows the structure and applies a Life-Cycle Assessment approach to the entire Product stage from raw material through manufacturing (A1-A3))

**Kompan A/S**  
 C.F. Tietgens Boulevard 32C  
 DK-5220 Odense SØ  
 Denmark



## Verification of CO<sub>2</sub> calculation of: Nature play



Data version no. 2023-10-05

The CO<sub>2</sub> calculation and data are in compliance with the principles of a carbon footprint impact according to the GHG protocol (Greenhouse Gas Protocol), Scope 3, cradle to gate related to all individual components in the product category: "Nature play" represented by item no.: NRO409-0621.

(Scope 3 emissions include emission sources in the upstream and downstream value chain).

**Date: 30. October 2023 | Valid until: 30. October 2025**

Verified by:

Julie Marie Vejsgaard Larsen, LCA & EPD Consultant

Verification based on report: Validation of CO<sub>2</sub> calculation of 9 categories of Kompan product line, version 1.0, prepared by: Bureau Veritas HSE, Denmark: Julie M. V. Larsen.

**Publication date: 30. October 2023**

By Bureau Veritas HSE  
 www.bureauveritas.dk  
 +45 7731 1000

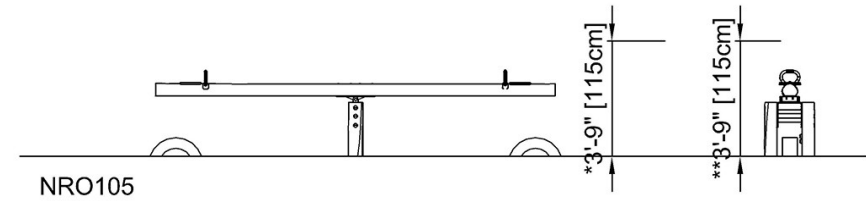
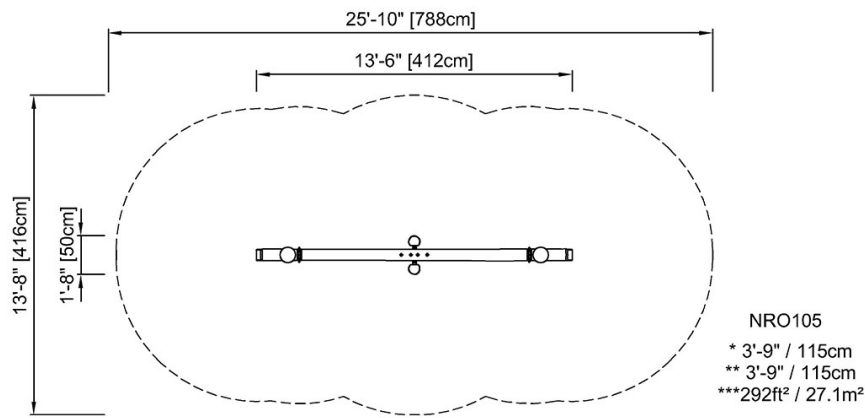


# Seesaw, 2 people

NRO105

\* Max fall height | \*\* Total height | \*\*\* Safety surfacing area

\* Max fall height | \*\* Total height



[Click to see TOP VIEW](#)

[Click to see SIDE VIEW](#)