

Single Slide 1.2m high

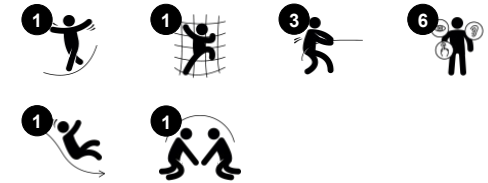
NRO301



Item no. NRO301-0901

General Product Information

Dimensions LxWxH	285x114x284 cm
Age group	4+
Play capacity (users)	2
Colour options	 



This single slide is made of stainless steel and beautiful hand-crafted Robinia timber, which children can touch and feel and learn what natural timber is like. All the while having fun on a playground classic.

Single Slide 1.2m high

NRO301



Slide

Physical: develops spatial awareness, sense of balance and trains core muscles when sitting upright going down. **Social-Emotional:** empathy stimulated by turn-taking.



Ladder with rope

Physical: cross coordination and eye-hand coordination are supported when children climb the ladder. Leg and core and upper body muscles are used intensely. **Social-Emotional:** learning about turn taking and cooperation.

Single Slide 1.2m high

NRO301



The stainless-steel slides with one-piece slide bed are made of high-quality stainless-steel AISI 304.



All organic Robinia products by KOMPAN are made of Robinia wood which is sourced from sustainable plantation farms. On request it can be supplied as FSC® Certified (FSC® C004450).



Slide interface panel of 19mm EcoCore™ which is a highly durable, eco-friendly material, which is not only recyclable after use, but also consists of a core produced from 100% recycled material.

Item no. NRO301-0901	
Installation Information	
Max. fall height	123 cm
Safety surfacing area	20.0 m ²
Total installation time	4.0
Excavation volume	0.45 m ³
Concrete volume	0.16 m ³
Footing depth (standard)	91 cm
Shipment weight	280 kg
Anchoring options	In-ground ✓
Warranty Information	
EcoCore HDPE	Lifetime
Robinia Wood	15 years
Spare Parts Guarantee	10 years
Stainless Steel Slide	10 years



Sustainability Data

NRO301



Cradle to Gate A1-A3	Total CO ₂ emission	CO ₂ e/kg	Recycled materials
	kg CO ₂ e	kg CO ₂ e/kg	%
NRO301-0901	200.86	1.11	20.57

The overall framework applied for these factors is the Environmental Product Declaration (EPD), which quantifies "environmental information on the life cycle of a product and enable comparisons between products fulfilling the same function" (ISO, 2006). This follows the structure and applies a Life-Cycle Assessment approach to the entire Product stage from raw material through manufacturing (A1-A3))

Kompan A/S
 C.F. Tietgens Boulevard 32C
 DK-5220 Odense SØ
 Denmark



Verification of CO₂ calculation of: Nature play



Data version no. 2023-10-05

The CO₂ calculation and data are in compliance with the principles of a carbon footprint impact according to the GHG protocol (Greenhouse Gas Protocol), Scope 3, cradle to gate related to all individual components in the product category: "Nature play" represented by item no.: NRO409-0621.

(Scope 3 emissions include emission sources in the upstream and downstream value chain).

Date: 30. October 2023 | Valid until: 30. October 2025

Verified by:

Julie Marie Vejsgaard Larsen, LCA & EPD Consultant

Verification based on report: Validation of CO₂ calculation of 9 categories of Kompan product line, version 1.0, prepared by: Bureau Veritas HSE, Denmark: Julie M. V. Larsen.

Publication date: 30. October 2023

By Bureau Veritas HSE
 www.bureauveritas.dk
 +45 7731 1000

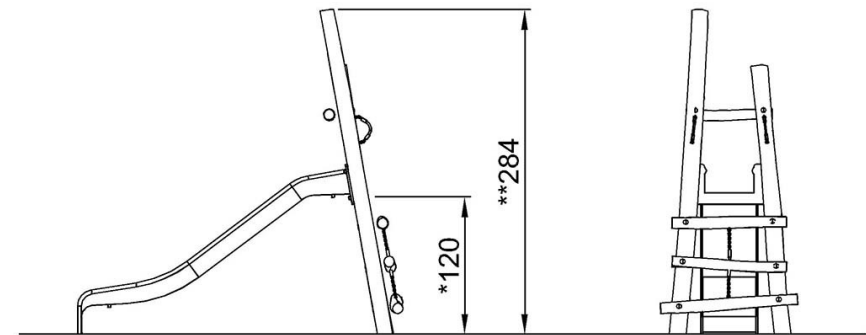
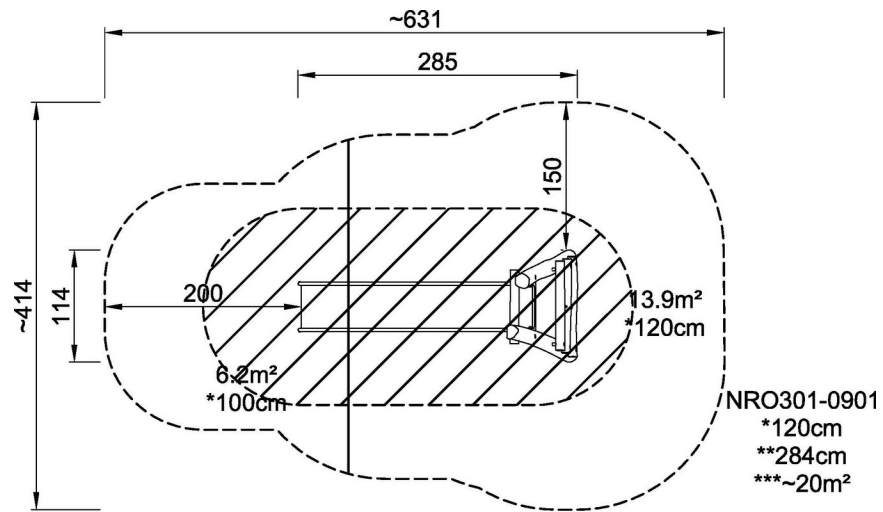


Single Slide 1.2m high

NRO301

* Max fall height | ** Total height | *** Safety surfacing area

* Max fall height | ** Total height



NRO301

[Click to see TOP VIEW](#)

[Click to see SIDE VIEW](#)