


Sand Pit, 1m

NRO503



Item no. NRO503-0001	
General Product Information	
Dimensions LxWxH	115x15x27 cm
Age group	1+
Play capacity (users)	
Colour options	

Robinia trunks can be used to design sand pits in different sizes and shapes or as edging for surfacing. The trunks are available as FSC® Certified (FSC® C004450) robinia wood on request. Sand is eternally inviting, with its combination of solid and liquid character. This immerses children in play for long periods of time. Sand invites deep play. The changeable

character of sand from when dry to when wet fascinates children. It additionally trains their tactile sense and fine motor skills. The Sand Box 8 trains the understanding of material character and nature phenomena: that sand in the sun is hot, that sand in the rain is shapeable. That sand in the sun is dry and light-weight, and wet sand is cold and heavy.

These are important understandings that contribute to the child's package of life skills that help the child understand the surrounding world. So sand play aids the child's sensory motor skills and cognition and adds an understanding of the world.



Sand Pit, 1m

NRO503



Balance beam

Physical: trains the sense of balance, fundamental for all other motor skills that makes it possible to navigate the world confidently and securely. **Social-Emotional:** turn-taking skills and negotiation when crossing each other on the beam. Room for a seated rest and exchange.



Sand Pit, 1m

NRO503



All Organic Robinia products by KOMPAN are made of Robinia wood from sustainable European sources. On request it can be supplied as FSC® Certified (FSC® C004450).



The Robinia wood can be supplied as untreated raw wood or painted with a brown coloured transparent pigment that maintains the golden wood colour of the wood.

Item no. NRO503-0001

Installation Information

Max. fall height	0 cm
Safety surfacing area	0.0 m ²
Total installation time	1.5
Excavation volume	0.00 m ³
Concrete volume	0.00 m ³
Footing depth (standard)	0 cm
Shipment weight	36 kg
Anchoring options	Surface ✓

Warranty Information

Robinia wood	15 years
Spare parts guaranteed	10 years



Sustainability Data

NRO503



Cradle to Gate A1-A3	Total CO ₂ emission	CO ₂ e/kg	Recycled materials
	kg CO ₂ e	kg CO ₂ e/kg	%
NRO503-0001	4.31	0.15	0.58

The overall framework applied for these factors is the Environmental Product Declaration (EPD), which quantifies "environmental information on the life cycle of a product and enable comparisons between products fulfilling the same function" (ISO, 2006). This follows the structure and applies a Life-Cycle Assessment approach to the entire Product stage from raw material through manufacturing (A1-A3))

Kompan A/S
 C.F. Tietgens Boulevard 32C
 DK-5220 Odense SØ
 Denmark



Verification of CO₂ calculation of: Nature play



Data version no. 2023-10-05

The CO₂ calculation and data are in compliance with the principles of a carbon footprint impact according to the GHG protocol (Greenhouse Gas Protocol), Scope 3, cradle to gate related to all individual components in the product category: "Nature play" represented by item no.: NRO409-0621.

(Scope 3 emissions include emission sources in the upstream and downstream value chain).

Date: 30. October 2023 | Valid until: 30. October 2025

Verified by:

Julie Marie Vejsgaard Larsen, LCA & EPD Consultant

Verification based on report: Validation of CO₂ calculation of 9 categories of Kompan product line, version 1.0, prepared by: Bureau Veritas HSE, Denmark: Julie M. V. Larsen.

Publication date: 30. October 2023

By Bureau Veritas HSE
 www.bureauveritas.dk
 +45 7731 1000

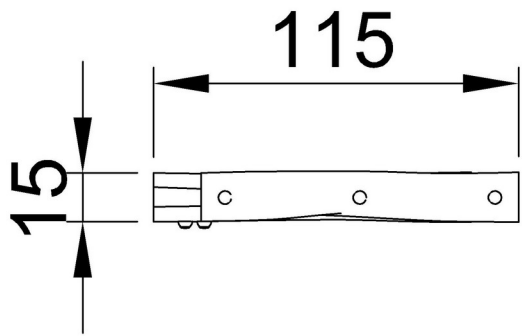


Sand Pit, 1m

NRO503

* Max fall height | ** Total height | *** Safety surfacing area

* Max fall height | ** Total height



NRO503

**27cm



NRO503

[Click to see TOP VIEW](#)

[Click to see SIDE VIEW](#)