

# Double Stairs

FSW230



Item no. FSW23000-0902	
<b>General Product Information</b>	
Dimensions LxWxH	101x253x163 cm
Age group	13+
Play capacity (users)	2
Colour options	



See KOMPAN Fit app for more



The stair is a very common everyday obstacle and maintaining the ability to safely overcome any stairs is very important for elderly people to safely move around in urban environments. The stairs are available in two different versions: normal stairs or steep stairs. This allows for progression in exercise that can fit everyone – for example going from the normal

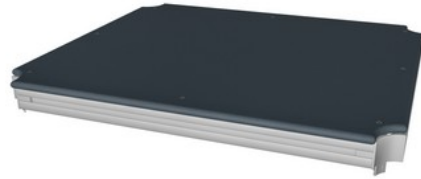
stairs with hand support to the steep stairs without support. The stairs can also be used for simple effective exercises like step-ups, lunges, and even jumping.

# Double Stairs

FSW230



The bar is 1400mm long, with a height of 940mm and is intended as a grip during exercises. The bar is made of hot-dip galvanised steel ø38mm, a great diameter for a good grip and to support the wrist.



The belt seat is made of PUR. All components retain their properties in the temperature range of -30°C to 60°C. and materials are durable without the use of heavy metal stabilisers. All decks are supported by unique designed aluminium profiles with multiple attachment options by the usage of pressure moulded aluminium connectors. The HPL decks have a thickness of 17.8mm which has a very high wearing strength and a unique KOMPAN nonskid surface texture.



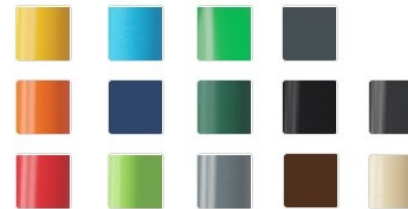
The information sign is made of a PA6 (Polyamide) and shows the most relevant exercises. When users scan the QR code, this will link them to an animated illustration of the exercise and offers the possibility of downloading the KOMPAN Fitness App, which is programmed with many more exercise alternatives.



The connectors are made of die-cast aluminium, specially alloyed for the outdoor environments and heavy usage. The screws attaching the connectors are stainless steel and protected by zinc washers.



The post is made of Ø101.6 x 2mm, pre-galvanised carbon steel and powder coated which is a great protection solution for all climate conditions.



KOMPAN fitness products are available in Orange, RAL2010 and Grey, RAL7012 as standard. All other RAL colours are available on upon request to meet your project's vision and to match the natural surroundings.

Item no. FSW23000-0902

## Installation Information

Max. fall height	69 cm
Safety surfacing area	20.0 m <sup>2</sup>
Total installation time	9.9
Excavation volume	0.23 m <sup>3</sup>
Concrete volume	0.12 m <sup>3</sup>
Footing depth (standard)	90 cm
Shipment weight	336 kg
Anchoring options	In-ground ✓ Surface ✓

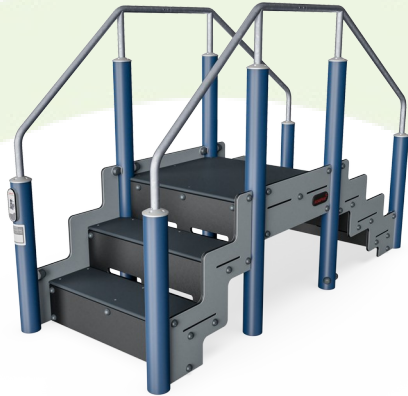
## Warranty Information

EcoCore HDPE	Lifetime
Galvanised Steel	Lifetime
HPL Decks	15 years
Post	10 years
Spare Parts Guarantee	10 years



# Sustainability Data

FSW230



Cradle to Gate A1-A3	Total CO <sub>2</sub> emission	CO <sub>2</sub> e/kg	Recycled materials
	kg CO <sub>2</sub> e	kg CO <sub>2</sub> e/kg	%
<b>FSW23000-0902</b>	438.19	2.00	54.56

The overall framework applied for these factors is the Environmental Product Declaration (EPD), which quantifies "environmental information on the life cycle of a product and enable comparisons between products fulfilling the same function" (ISO, 2006). This follows the structure and applies a Life-Cycle Assessment approach to the entire Product stage from raw material through manufacturing (A1-A3))

**Kompan A/S**  
 C.F. Tietgens Boulevard 32C  
 DK-5220 Odense SØ  
 Denmark



## Verification of CO<sub>2</sub> calculation of: Fitness



Data version no. 2023-10-05

The CO<sub>2</sub> calculation and data are in compliance with the principles of a carbon footprint impact according to the GHG protocol (Greenhouse Gas Protocol), Scope 3, cradle to gate related to all individual components in the product category: "Fitness" represented by item no.: FAZ10100-0900.

(Scope 3 emissions include emission sources in the upstream and downstream value chain).

**Date: 30. October 2023 | Valid until: 30. October 2025**

Verified by:

Julie Marie Vejsgaard Larsen, LCA & EPD Consultant

Verification based on report: Validation of CO<sub>2</sub> calculation of 9 categories of Kompan product line, version 1.0, prepared by: Bureau Veritas HSE, Denmark: Julie M. V. Larsen.

**Publication date: 30. October 2023**

By Bureau Veritas HSE  
 www.bureauveritas.dk  
 +45 7731 1000

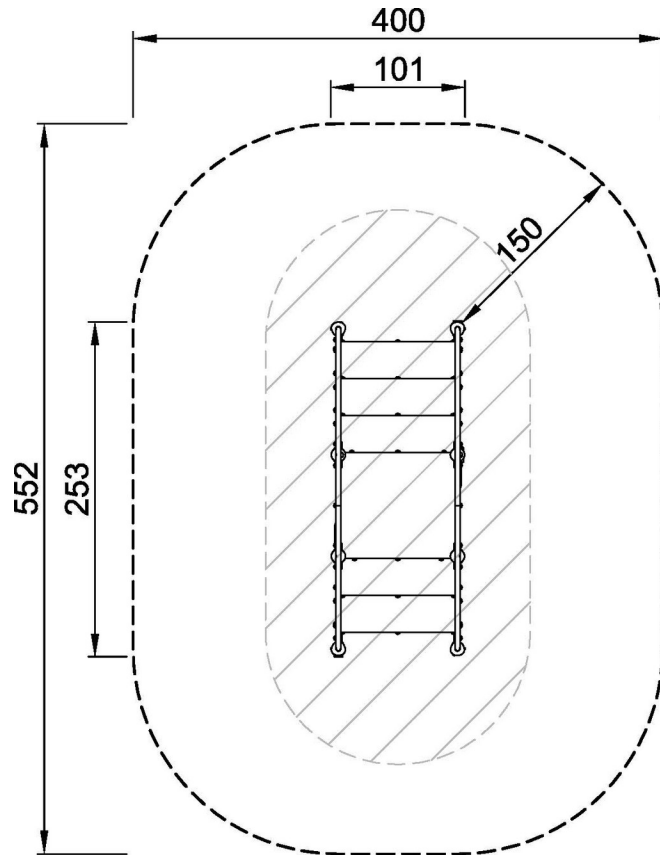


# Double Stairs

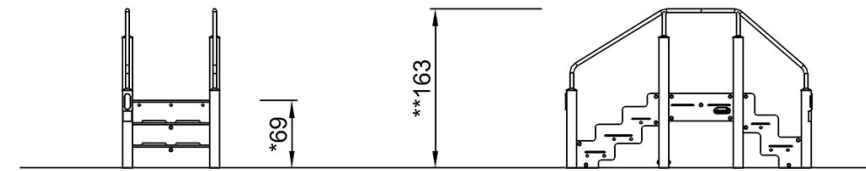
FSW230

\* Max fall height | \*\* Total height | \*\*\* Safety surfacing area

\* Max fall height | \*\* Total height



FSW23000  
\*69cm  
\*\*163cm  
\*\*\*20m<sup>2</sup>  
1:100



FSW23000

[Click to see TOP VIEW](#)

[Click to see SIDE VIEW](#)