

Basketball Goal, Nylon Net

FRE3025

KOMPAN
Let's play



Item no. FRE3025-3717

General Product Information

Dimensions LxWxH	8'2"x4'8"x12'1"
Age group	3+
Play capacity (users)	-
Color options	



The Nylon Net is the classic choice for basketball, with a bright white color that makes the hoop easier to aim for and to see. The sweet swoosh of the basketball going through and subsequent movement of the net will confirm a basket was made from all corners of the court.

Basketball Goal, Nylon Net

FRE3025



3 choices of nets: Polyamide (PA), PA reinforced with a steel wire inside, stainless steel chains which meet the requirements in ISO1434-ISO1435 and DIN766.



All steel components are manufactured from carbon steel, welding's according EN ISO 5817 & Hot dip galvanised (HDG) according to ISO1461. This process ensures good protection in all circumstances.

Item no. FRE3025-3717

Installation Information

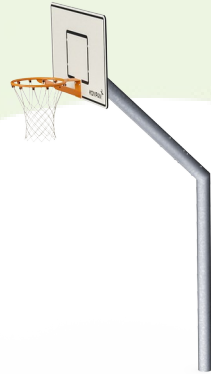
Max. fall height	0'0"
Safety surfacing area	0ft ²
Total installation time	2.9
Excavation volume	0.42yd ³
Concrete volume	0.41yd ³
Footing depth (standard)	2'11"
Shipment weight	262lbs
Anchoring options	In-ground ✓ Surface ✓

Warranty Information

EcoCore HDPE	Lifetime
Spare Parts Availability	10 Years
Steel post HDG	Lifetime

Sustainability Data

FRE3025



Cradle to Gate A1-A3	Total CO ₂ emission	CO ₂ e/kg	Recycled materials
	kg CO ₂ e	kg CO ₂ e/kg	%
FRE3025-3717	274.22	2.26	57.69

The overall framework applied for these factors is the Environmental Product Declaration (EPD), which quantifies "environmental information on the life cycle of a product and enable comparisons between products fulfilling the same function" (ISO, 2006). This follows the structure and applies a Life-Cycle Assessment approach to the entire Product stage from raw material through manufacturing (A1-A3))

Kompan A/S
 C.F. Tietgens Boulevard 32C
 DK-5220 Odense SØ
 Denmark



Verification of CO₂ calculation of: Sport



Data version no. 2023-10-05

The CO₂ calculation and data are in compliance with the principles of a carbon footprint impact according to the GHG protocol (Greenhouse Gas Protocol), Scope 3, cradle to gate related to all individual components in the product category: "Sport" represented by item no.: FRE600202-0901.

(Scope 3 emissions include emission sources in the upstream and downstream value chain).

Date: 30. October 2023 | Valid until: 30. October 2025

Verified by:

Julie Marie Vejsgaard Larsen, LCA & EPD Consultant

Verification based on report: Validation of CO₂ calculation of 9 categories of Kompan product line, version 1.0, prepared by: Bureau Veritas HSE, Denmark: Julie M. V. Larsen.

Publication date: 30. October 2023

By Bureau Veritas HSE
 www.bureauveritas.dk
 +45 7731 1000

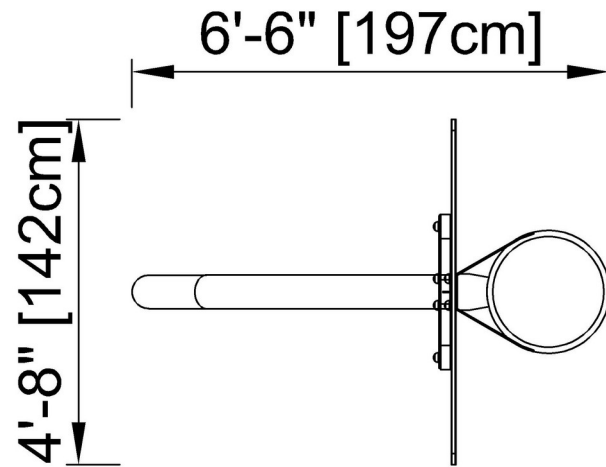


Basketball Goal, Nylon Net

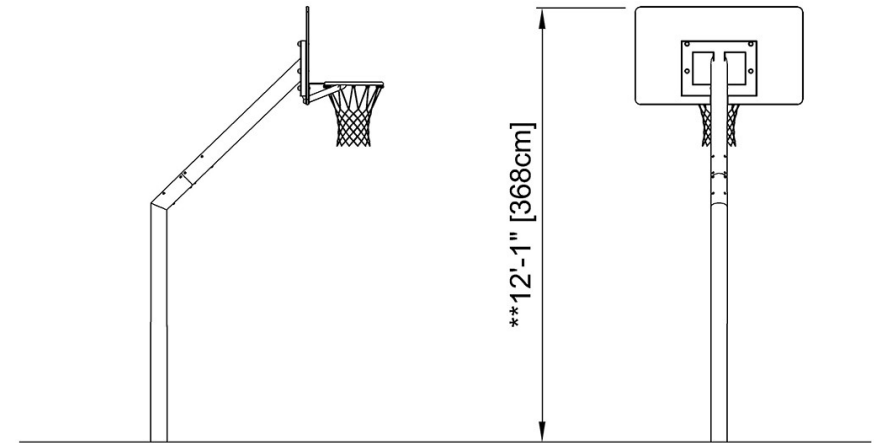
FRE3025

* Max fall height | ** Total height | *** Safety surfacing area

* Max fall height | ** Total height



FRE3025
****12'-1" / 368cm**



FRE3025

[Click to see TOP VIEW](#)

[Click to see SIDE VIEW](#)