

Toddler Seat H:2.5m

SW990031



Item no. SW990031-00

General Product Information

Dimensions LxWxH	63x87x0 cm
Age group	1+
Play capacity (users)	1
Color options	●



WOW! The Toddler Seat is a truly unique swing invention that makes it possible for toddlers to swing before they fully master the cross-coordination skills that conventional swinging requires. When seated, the toddler can push and pull the front chains and thus set the seat in motion. This is a fabulous event for toddlers, who have a strong drive to do things on their

own, but often need help. The feeling of independence is priceless to young toddlers and it boosts their self confidence. Apart from being great fun, swinging on the Toddler Seat trains important gross motor skills such as the sense of balance when seated, moving. Additionally, it is a good training of muscles as the trunk stability and pushing and pulling with

arms all take some force. A truly social-emotionally as well as physically stimulating swing seat.



Data is subject to change without prior notice.

Toddler Seat H:2.5m

SW990031



KOMPAN designed curved toddler seat is made with an insert of 21.25 mm thick plywood from alder and pine wood. The outside layer is molded in UV stabilized PUR which retains its properties in the temperature range of -30°C to 60°C

The double steel yoke suspension provides the unique parallel movement of the seat. The swing hangers are made of high quality UV stabilised nylon (PA6) housing with integrated lifetime sealed ball bearings. The height adjustable chains are fixed by a stainless steel hook with theft proof snake eye bolt in a turn able anti twist housing.

The four PUR rubber elements at the end of each chain supports the seat movement back and forth initiated by the toddler sitting on the seat.

Item no. SW990031-00	
Installation Information	
Max. fall height	146 cm
Safety surfacing area	14.5 m ²
Total installation time	1.3
Excavation volume	0.00 m ³
Concrete volume	0.00 m ³
Footing depth (standard)	0 cm
Shipment weight	24 kg
Anchoring options	



The seats are available with swing chains of either hot dip galvanised steel or stainless steel for all swings heights.



Sustainability Data

SW990031



Cradle to Gate A1-A3

Total CO₂ emission

kg CO₂e

CO₂e/kg

kg CO₂e/kg

Recycled materials

%

SW990031-00

65.40

3.84

34.80

The overall framework applied for these factors is the Environmental Product Declaration (EPD), which quantifies "environmental information on the life cycle of a product and enable comparisons between products fulfilling the same function" (ISO, 2006). This follows the structure and applies a Life-Cycle Assessment approach to the entire Product stage from raw material through manufacturing (A1-A3))

Kompan A/S

C.F. Tietgens Boulevard 32C
DK-5220 Odense SØ
Denmark



Verification of CO₂ calculation of: Freestanding play equipment



Data version no. 2023-10-05

The CO₂ calculation and data are in compliance with the principles of a carbon footprint impact according to the GHG protocol (Greenhouse Gas Protocol), Scope 3, cradle to gate related to all individual components in the product category: "Freestanding play equipment" represented by item no.: KSW92011-0910.

(Scope 3 emissions include emission sources in the upstream and downstream value chain).

Date: 30. October 2023 | Valid until: 30. October 2025

Verified by:

Julie Marie Vejsgaard Larsen, LCA & EPD Consultant

Verification based on report: Validation of CO₂ calculation of 9 categories of Kompan product line, version 1.0, prepared by: Bureau Veritas HSE, Denmark: Julie M. V. Larsen.

Publication date: 30. October 2023

By Bureau Veritas HSE

www.bureauveritas.dk

+45 7731 1000

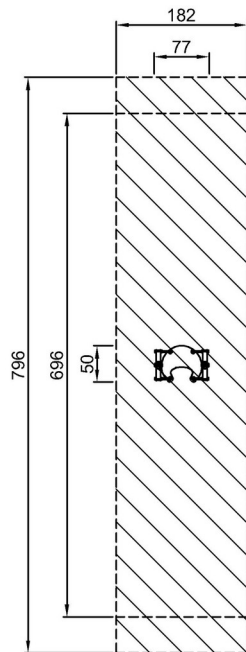


Toddler Seat H:2.5m

SW990031

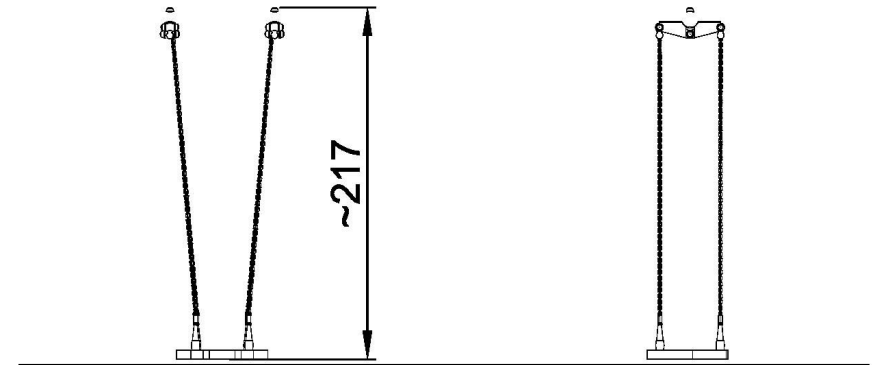
* Max fall height | ** Total height | *** Safety surfacing area

* Max fall height | ** Total height



SW990031

***14.5m²



SW990031
1:100

[Click to see TOP VIEW](#)

[Click to see SIDE VIEW](#)