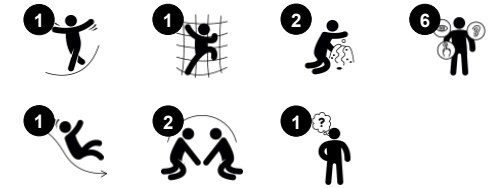


Play Tower

PCM101021



Item no. PCM101021-0603	
General Product Information	
Dimensions LxWxH	140x235x211 cm
Age group	1+
Play capacity (users)	7
Color options	



This universal Play Tower is thrilling for the developing toddler. The proportion and selection of the activities is scaled to provide optimal play stimulation for many children in a small space. The play panels and the balcony invite play from the outside in and vice versa. The loop between the ergonomic stairway and the slide mouth invites play for all children. The

platform has multiple holding points: holes in floors, stairs and sides, to add grip assistance. The Peek-a-boo play panel with curtains is a great tactile play event which encourages play between outside and inside, pulling curtains up and down stimulating the understanding of object permanence; that objects don't cease to exist when out of sight. Turn-taking and

cooperation skills are trained when pulling the curtains from the inside or the outside.



Data is subject to change without prior notice.

Play Tower

PCM101021



Panels of 19mm EcoCore™. EcoCore™ is a highly durable, eco friendly material, which is not only recyclable after use, but is also produced from +95% recycled post consumer material from food packing waste. Wooden panels of impregnated and brown painted pine wood with vertical steel profiles.



Main posts with hot dip galvanized steel footing are available in different materials: Pressure impregnated pine wood posts. Pre-galvanized inside and outside with powder coated top finish steel posts. Lead free aluminum with color anodized top finish. Greenline TexMade posts of 95% post-consumer recycled PE and textile waste.



All decks are supported by unique designed low-carbon aluminum profiles with multiple attachment options. The grey colored molded decks are made of 75% post-consumer waste PP material with a non-skid pattern and texture surface.

Item no. PCM101021-0603	
Installation Information	
Max. fall height	100 cm
Safety surfacing area	15.9 m ²
Total installation time	8.4
Excavation volume	0.31 m ³
Concrete volume	0.00 m ³
Footing depth (standard)	60 cm
Shipment weight	220 kg
Anchoring options	



Roof is made from rotomoulded PE with 33% Post-consumer materials. PE has high impact resistance across a wide temperature span which ensures durability.



Coloured steel components have a base of hot dip galvanisation and a powder coated top finish. This provides an ultimate corrosion resistance in all climates around the world.



KOMPAN GreenLine versions are designed with ultimate environmentally friendly materials with lowest possible CO2e emission factor. TexMade post, EcoCore™ panels of 95% post-consumer recycled waste and molded PP decks.



Sustainability Data

PCM101021



Cradle to Gate A1-A3	Total CO ₂ emission	CO ₂ e/kg	Recycled materials
	kg CO ₂ e	kg CO ₂ e/kg	%
PCM101021-0651	283.40	1.85	60.40
PCM101021-0603	238.20	1.51	23.60

The overall framework applied for these factors is the Environmental Product Declaration (EPD), which quantifies "environmental information on the life cycle of a product and enable comparisons between products fulfilling the same function" (ISO, 2006). This follows the structure and applies a Life-Cycle Assessment approach to the entire Product stage from raw material through manufacturing (A1-A3))

Kompan A/S
 C.F. Tietgens Boulevard 32C
 DK-5220 Odense SØ
 Denmark



Verification of CO₂ calculation of: Play systems



Data version no. 2023-10-05

The CO₂ calculation and data are in compliance with the principles of a carbon footprint impact according to the GHG protocol (Greenhouse Gas Protocol), Scope 3, cradle to gate related to all individual components in the product category: "Play systems" represented by item no.: PCM200321-0950.

(Scope 3 emissions include emission sources in the upstream and downstream value chain).

Date: 30. October 2023 | Valid until: 30. October 2025

Verified by:

Julie Marie Vejsgaard Larsen, LCA & EPD Consultant

Verification based on report: Validation of CO₂ calculation of 9 categories of Kompan product line, version 1.0, prepared by: Bureau Veritas HSE, Denmark: Julie M. V. Larsen.

Publication date: 30. October 2023

By Bureau Veritas HSE
 www.bureauveritas.dk
 +45 7731 1000

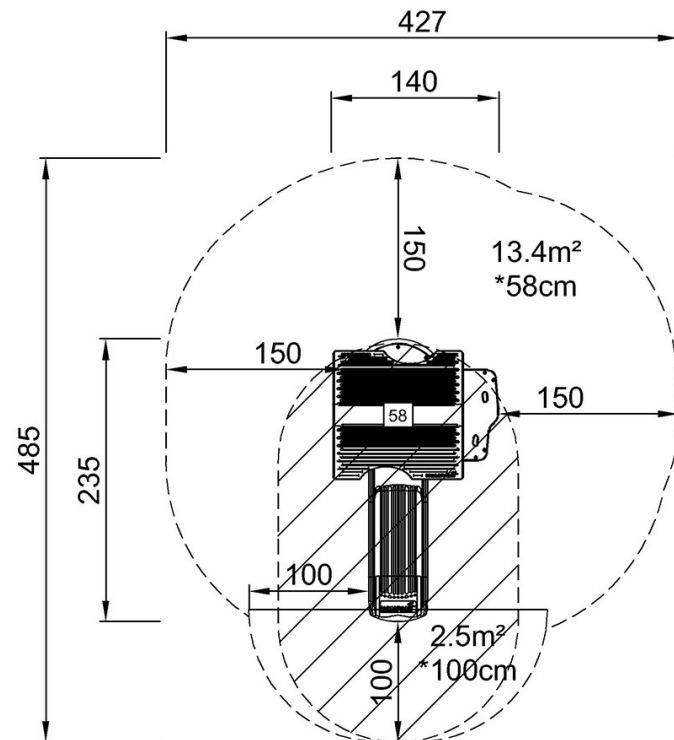


Play Tower

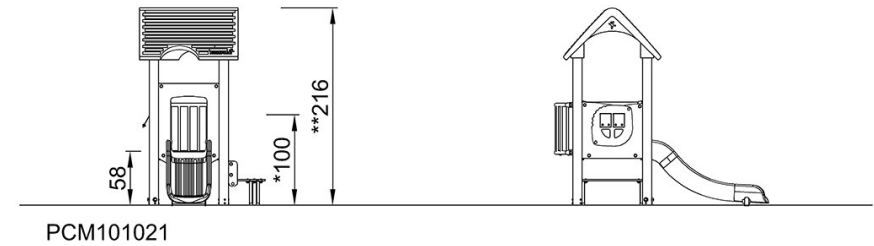
PCM101021

* Max fall height | ** Total height | *** Safety surfacing area

* Max fall height | ** Total height



PCM101021
*100cm
**216cm
***15.9m²



[Click to see TOP VIEW](#)

[Click to see SIDE VIEW](#)