

Steel Swing H:2.0m

KSW92001



Item no. KSW92001-0910

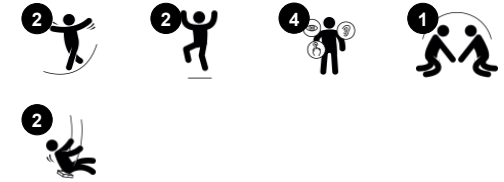
General Product Information

Dimensions LxWxH 360x161x205 cm

Age group 2+

Play capacity (users) 2

Color options



Of all the play activities, swinging is a definite favorite: children love it, as it can be done both individually and together. This swing set supports the play joy of doing the same thing at the same time, featuring two similar swing seats. The seats are shaped with a slight curve in the middle, to facilitate the secure seat position of a wide age span. A great place to

play, for all ages, for hours and days. Swinging apart from being great fun, trains the children's ABC: agility, balance and coordination as well as their spatial awareness. These motor skills are crucial to being able to judge distances and navigate, traffic safely. Swings allows for standing sitting, laying – and not least jumping off. Apart from the motor skills training, this

trains the arm, leg and core muscles. The jumping off builds bone density – the majority of which is built up during the first years of life.



Data is subject to change without prior notice.

Steel Swing H:2.0m

KSW92001



Vertical posts of hot dip galvanised steel or powder coated on pre-galvanised steel base. Swing frame end connectors and crossbeam of hot dip galvanised steel or powder coated on hot dip galvanised steel base.



KOMPAN heavy duty designed swing hangers of stainless steel with anti-twist function. The hangers are attached to the cross beam on a welded bracket with two bolts. The bearings are embedded with silicone lubricant and needs no further lubrication.



KOMPAN designed the bird's nest seats to be light in weight and in compliance with global safety standards. The soft, shock absorbent bumpers with non-slip surface makes the swing seat extremely user friendly. Choose between a rope version with reinforced PA rope or a moulded PE version. Both equipped with soft rubber bumpers.

Item no. KSW92001-0910

Installation Information

Max. fall height	120 cm
Safety surfacing area	21.5 m ²
Total installation time	4.7
Excavation volume	1.12 m ³
Concrete volume	0.00 m ³
Footing depth (standard)	90 cm
Shipment weight	177 kg
Anchoring options	In-ground ✓



The standard seats of KOMPAN swings is engineered for maximum safety and durability. The two component seat with a PP inner core and outside rubber is produced in one operation. The seats are available with swing chains of either hot dip galvanised steel or stainless steel for all swings heights.



The swing hangers are made of high quality UV-stabilised nylon (PA6) housing with integrated lifetime sealed ball bearings. The height adjustable chains are fixed by a stainless steel hook with theft proof snake-eye bolt in a turn able anti twist housing. All seats with two chain fixation are available with either standard or anti-wrap suspension.



Unique designed seats for toddlers: Baby seat of rubber. Toddler seat of PUR with four chain suspension for easy movement. Cradle seat. You & Me swing seat for adult/child or children of different ages to swing together while facing each other.



Sustainability Data

KSW92001



Cradle to Gate A1-A3	Total CO ₂ emission	CO ₂ e/kg	Recycled materials
	kg CO ₂ e	kg CO ₂ e/kg	%
KSW92001-0910	398.90	3.12	45.30

The overall framework applied for these factors is the Environmental Product Declaration (EPD), which quantifies "environmental information on the life cycle of a product and enable comparisons between products fulfilling the same function" (ISO, 2006). This follows the structure and applies a Life-Cycle Assessment approach to the entire Product stage from raw material through manufacturing (A1-A3))

Kompan A/S
 C.F. Tietgens Boulevard 32C
 DK-5220 Odense SØ
 Denmark



Verification of CO₂ calculation of: Freestanding play equipment



Data version no. 2023-10-05

The CO₂ calculation and data are in compliance with the principles of a carbon footprint impact according to the GHG protocol (Greenhouse Gas Protocol), Scope 3, cradle to gate related to all individual components in the product category: "Freestanding play equipment" represented by item no.: KSW92011-0910.

(Scope 3 emissions include emission sources in the upstream and downstream value chain).

Date: 30. October 2023 | Valid until: 30. October 2025

Verified by:

Julie Marie Vejsgaard Larsen, LCA & EPD Consultant

Verification based on report: Validation of CO₂ calculation of 9 categories of Kompan product line, version 1.0, prepared by: Bureau Veritas HSE, Denmark: Julie M. V. Larsen.

Publication date: 30. October 2023

By Bureau Veritas HSE
 www.bureauveritas.dk
 +45 7731 1000

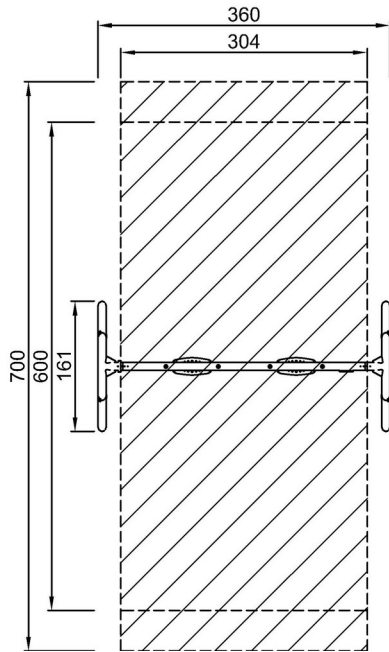


Steel Swing H:2.0m

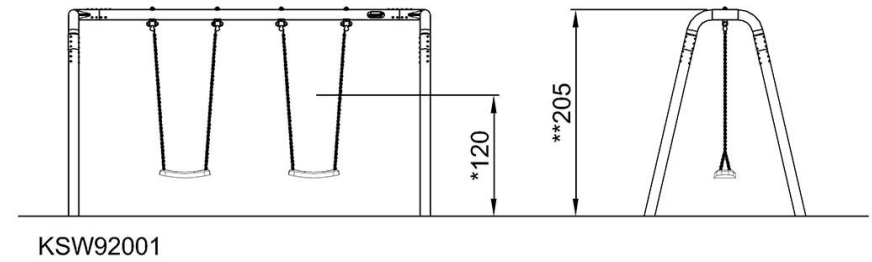
KSW92001

* Max fall height | ** Total height | *** Safety surfacing area

* Max fall height | ** Total height



KSW92001
*120cm
**205cm
***21.5m²



[Click to see TOP VIEW](#)

[Click to see SIDE VIEW](#)