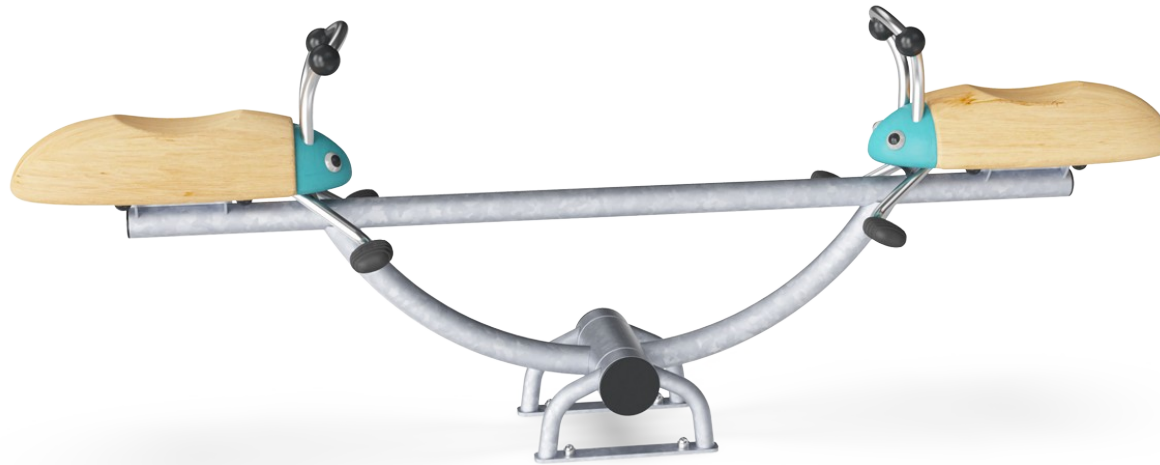


# Forest Bugs Seesaw

NRO117



Item no. NRO117-0621

## General Product Information

Dimensions LxWxH	233x48x86 cm
Age group	4+
Play capacity (users)	2
Color options	



The Forest Bugs Seesaw offers a whimsical, gliding seesaw ride which will amaze children and keep them coming back again and again. The fun, social rocking intensely trains cooperation and empathy, training important social-emotional life skills. The soothing, rocking movement of the Forest Bugs Seesaw invites play, but additionally trains the senses

of balance and space. These are both crucial for body confidence, e.g. in avoiding falling. A well-developed sense of balance is fundamental for the ability to sit still and concentrate. The rhythmic movement is necessary to make the seesaw work, and so is cooperation. The Forest Bugs Seesaw is a beautiful addition to young children's

playgrounds, adding themed bugs. This inspires imaginative play and again stimulates cooperation and communication.



# Forest Bugs Seesaw

NRO117



All Organic Robinia products by KOMPAN are made of Robinia wood from sustainable European sources. On request it can be supplied as FSC® Certified (FSC® C004450).



The paint used for coloured components is water based environmentally friendly with excellent UV resistance. The paint is in compliance with EN 71 Part 3.



Handles and footrests are made of high-quality stainless steel and equipped with moulded on PUR handholds and footsteps. The PUR footrests are designed with groves to make the surface slip resistant.

Item no. NRO117-0621

### Installation Information

Max. fall height	100 cm
Safety surfacing area	9.7 m <sup>2</sup>
Total installation time	3.3
Excavation volume	0.35 m <sup>3</sup>
Concrete volume	0.00 m <sup>3</sup>
Footing depth (standard)	62 cm
Shipment weight	155 kg
Anchoring options	In-ground ✓ Surface ✓



The steel surfaces are hot dip galvanised inside and outside with lead free zinc. The galvanisation has excellent corrosion resistance in outside environments and requires low maintenance.

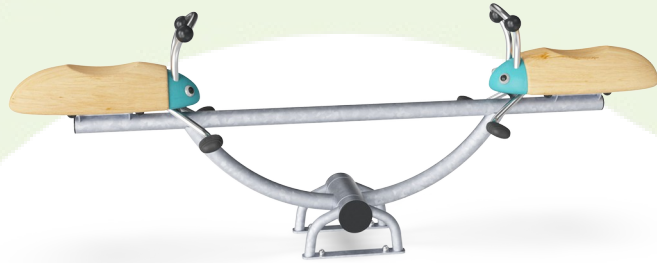


Robinia products are available in three different wood treatment options: Untreated Robinia wood or brown painted with a pigment that maintains the wood colour and coloured version with paint of selected components.



# Sustainability Data

NRO117



Cradle to Gate A1-A3	Total CO <sub>2</sub> emission	CO <sub>2</sub> e/kg	Recycled materials
	kg CO <sub>2</sub> e	kg CO <sub>2</sub> e/kg	%
<b>NRO117-0621</b>	189.60	1.28	20.40

The overall framework applied for these factors is the Environmental Product Declaration (EPD), which quantifies "environmental information on the life cycle of a product and enable comparisons between products fulfilling the same function" (ISO, 2006). This follows the structure and applies a Life-Cycle Assessment approach to the entire Product stage from raw material through manufacturing (A1-A3))

**Kompan A/S**  
 C.F. Tietgens Boulevard 32C  
 DK-5220 Odense SØ  
 Denmark



## Verification of CO<sub>2</sub> calculation of: Nature play



Data version no. 2023-10-05

The CO<sub>2</sub> calculation and data are in compliance with the principles of a carbon footprint impact according to the GHG protocol (Greenhouse Gas Protocol), Scope 3, cradle to gate related to all individual components in the product category: "Nature play" represented by item no.: NRO409-0621.

(Scope 3 emissions include emission sources in the upstream and downstream value chain).

**Date: 30. October 2023 | Valid until: 30. October 2025**

**Verified by:**

Julie Marie Vejsgaard Larsen, LCA & EPD Consultant

Verification based on report: Validation of CO<sub>2</sub> calculation of 9 categories of Kompan product line, version 1.0, prepared by: Bureau Veritas HSE, Denmark: Julie M. V. Larsen.

**Publication date: 30. October 2023**

**By Bureau Veritas HSE**  
 www.bureauveritas.dk  
 +45 7731 1000

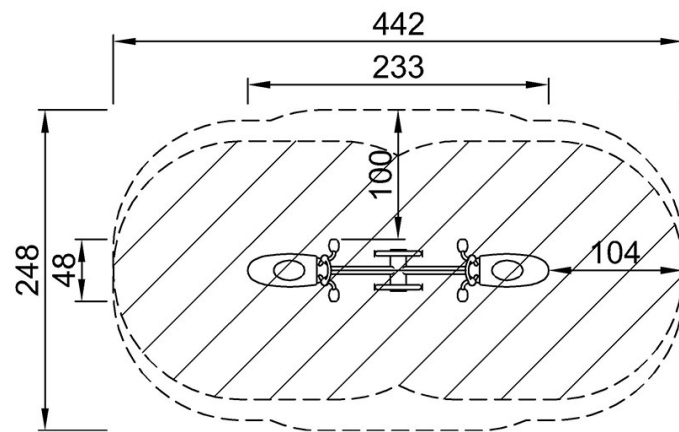


# Forest Bugs Seesaw

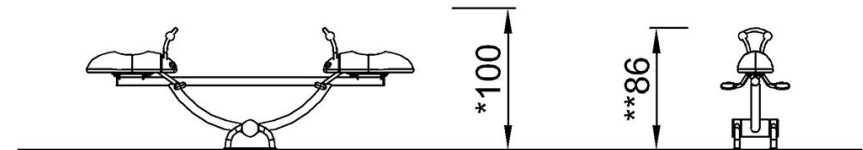
NRO117

\* Max fall height | \*\* Total height | \*\*\* Safety surfacing area

\* Max fall height | \*\* Total height



NRO117  
\*100cm  
\*\*86cm  
\*\*\*9.7m<sup>2</sup>



NRO117

[Click to see TOP VIEW](#)

[Click to see SIDE VIEW](#)