

# Moss Hill

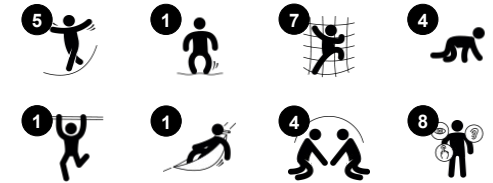
CRP200201



Item no. CRP200201-0901

## General Product Information

Dimensions LxWxH	549x394x297 cm
Age group	2+
Play capacity (users)	17
Color options	



The cute play panels, the play shell climber and the spacious inclined nets of the Moss Hill invite for hours of toddler play, again and again. The many details of the panels and the curvy spaciousness of the play shell climber invite social play and cooperation. Climbing over and under the play shells and not least the spacious spider net incorporates an

understanding of space, shape and measures in toddlers. This understanding is basic in understanding mathematics. Climbing and crawling the bouncy net and rope train cross-coordination skills and spatial awareness, which are crucial in navigating the world confidently and securely. The many opportunities to play together in smaller and

bigger groups make the Moss Hill a fine play piece to help children negotiate and show consideration of others, which are important social-emotional skills that are instrumental in building friendships.



# Moss Hill

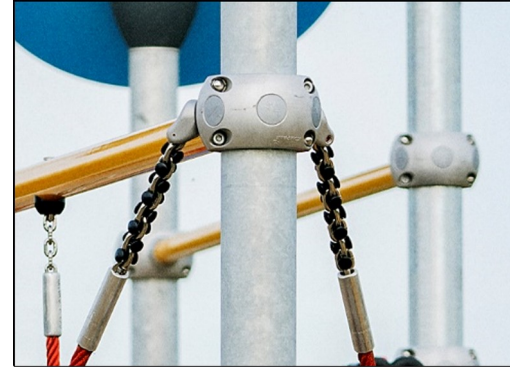
CRP200201



Ropes of UV-stabilized PES rope strands with inner steel cable reinforcement. The polyester yarn is made from +95% post-consumer materials and is inductively melted onto each strand.



Corocord 'S' clamps are used as universal connections in Corocord products. 8mm stainless steel rods with rounded edges are pressed around the ropes with a special hydraulic press, making them the ideal connector: safe, durable and vandalism-proof, all while allowing the typical movement of rope play structures.



Corocord smart clamps are carefully designed in every detail to ensure superior flexibility in high quality aluminum material. The smart clamps are attached around the posts with four steel bolts. Not used attachment points are closed with PA caps.

Item no. CRP200201-0901

### Installation Information

Max. fall height	74 cm
Safety surfacing area	45.2 m <sup>2</sup>
Total installation time	12.8
Excavation volume	4.12 m <sup>3</sup>
Concrete volume	1.80 m <sup>3</sup>
Footing depth (standard)	90 cm
Shipment weight	455 kg
Anchoring options	



The steel surfaces are hot dip galvanized inside and outside with lead free zinc. The galvanisation has excellent corrosion resistance in outside environments and requires low maintenance.



Panels of 19mm EcoCore™. EcoCore™ is a highly durable, eco friendly material, which is not only recyclable after use, but also consists of material produced from +95% recycled post consumer material from food packing waste.



The large components are made of 100% recyclable PE made from 33% post consumer materials. Molded in one piece with minimum 5mm wall thickness to ensure high durability in all climates around the world.

**EN  
1176**  
compliant

# Sustainability Data

CRP200201



Cradle to Gate A1-A3	Total CO <sub>2</sub> emission	CO <sub>2</sub> e/kg	Recycled materials
	kg CO <sub>2</sub> e	kg CO <sub>2</sub> e/kg	%
CRP200201-0901	901.60	2.81	54.00

The overall framework applied for these factors is the Environmental Product Declaration (EPD), which quantifies "environmental information on the life cycle of a product and enable comparisons between products fulfilling the same function" (ISO, 2006). This follows the structure and applies a Life-Cycle Assessment approach to the entire Product stage from raw material through manufacturing (A1-A3))

**Kompan A/S**  
C.F. Tietgens Boulevard 32C  
DK-5220 Odense SØ  
Denmark



## Verification of CO<sub>2</sub> calculation of: Corocord



Data version no. 2023-10-05

The CO<sub>2</sub> calculation and data are in compliance with the principles of a carbon footprint impact according to the GHG protocol (Greenhouse Gas Protocol), Scope 3, cradle to gate related to all individual components in the product category: "Corocord" represented by item no.: COR314011-1101.

(Scope 3 emissions include emission sources in the upstream and downstream value chain).

**Date: 30. October 2023 | Valid until: 30. October 2025**

Verified by:

Julie Marie Vejsgaard Larsen, LCA & EPD Consultant

Verification based on report: Validation of CO<sub>2</sub> calculation of 9 categories of Kompan product line, version 1.0, prepared by: Bureau Veritas HSE, Denmark: Julie M. V. Larsen.

**Publication date: 30. October 2023**

By Bureau Veritas HSE  
www.bureauveritas.dk  
+45 7731 1000

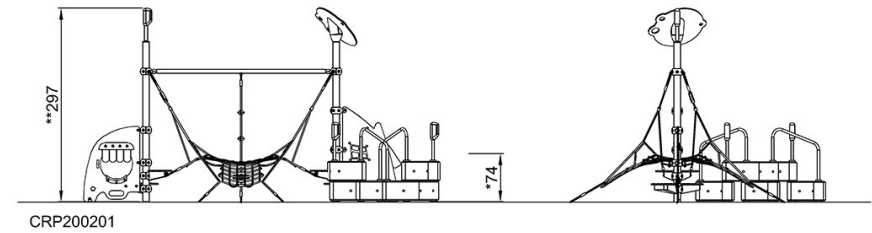
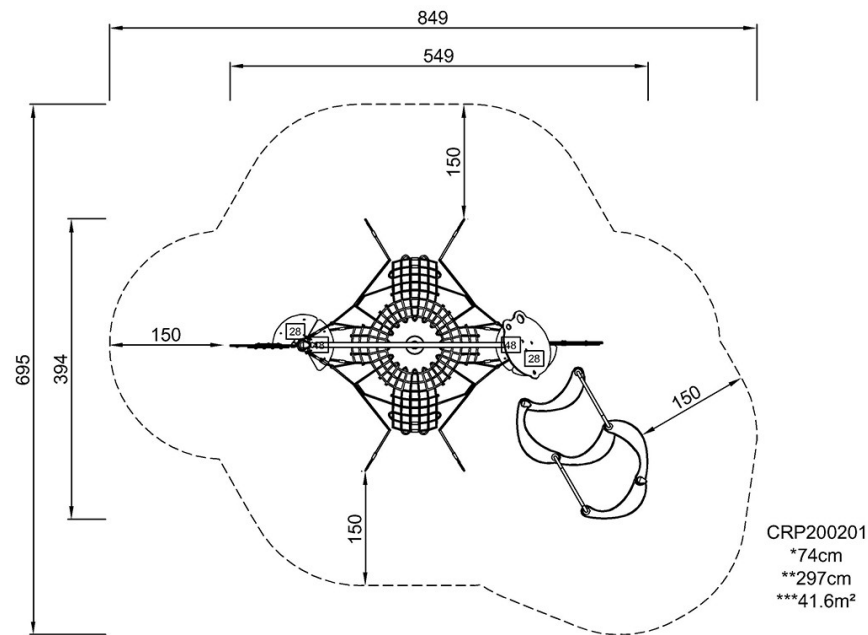


# Moss Hill

CRP200201

\* Max fall height | \*\* Total height | \*\*\* Safety surfacing area

\* Max fall height | \*\* Total height



[Click to see TOP VIEW](#)

[Click to see SIDE VIEW](#)