

Sand Box with Lids

KPL510



Item no. KPL510-0401

General Product Information

Dimensions LxWxH	470x120x38 cm
Age group	6m+
Play capacity (users)	12
Colour options	



This appealing Sand Box With Lids invites children to play for long periods of time. Thanks to the two lids, the sand box can be covered and protected. The lids also function as play tables and seats for parents or carers. Carers have seats, and more parents can be seated facing the sandbox to observe. This is well-known to facilitate longer stays in the

playground. The lids also create a space for the children where they can store toys or create their home, their shop, their workshop etc. Sand invites deep play. The changeable character of sand from when dry to when wet fascinates children. It additionally trains their tactile sense and understanding of material character and nature phenomena. These are

important life skills that help the child understand their surrounding world. In short, sand play helps to shape motor skills and cognition.



Sand Box with Lids

KPL510



Sandpit

Cognitive: sand play trains the sense of touch and helps children to understand the characteristics of different materials and their uses. Sand can be sieved when dry and shaped when wet.



Lid

Physical: pushing and pulling the lids develops cross-coordination and muscles.
Social-Emotional: meeting on the lids supports social interaction. **Cognitive:** supports cause-and-effect understanding when closing and opening lids. **Creative:** the lids can be placed in different positions and therefore can promote children's understanding of how they leave a mark, supporting creativity.

Sand Box with Lids

KPL510



Boards are made of pine wood from sustainable European sources. The wood is pressure impregnated Class 3 with Tanalith E3475 according to EN335 (Equivalent to NTR Class AB).

Lids are made of 22 mm thick plywood made from alder and pine wood. Both sides are covered by 2 layers of phenolic film with anti slip net pattern. All cutting edges are sealed with paint to ensure long lifetime

Item no. KPL510-0401	
Installation Information	
Max. fall height	38 cm
Safety surfacing area	30.4 m ²
Total installation time	4.0
Excavation volume	0.10 m ³
Concrete volume	0.00 m ³
Footing depth (standard)	40 cm
Shipment weight	140 kg
Anchoring options	In-ground ✓
Warranty Information	
Pinewood	10 years
Plywood	5 years
Spare parts guaranteed	10 years



Sustainability Data

KPL510



Cradle to Gate A1-A3	Total CO ₂ emission	CO ₂ e/kg	Recycled materials
	kg CO ₂ e	kg CO ₂ e/kg	%
KPL510-0401	33.79	0.30	2.20

The overall framework applied for these factors is the Environmental Product Declaration (EPD), which quantifies "environmental information on the life cycle of a product and enable comparisons between products fulfilling the same function" (ISO, 2006). This follows the structure and applies a Life-Cycle Assessment approach to the entire Product stage from raw material through manufacturing (A1-A3))

Kompan A/S
 C.F. Tietgens Boulevard 32C
 DK-5220 Odense SØ
 Denmark



Verification of CO₂ calculation of: Themed play systems



Data version no. 2023-10-05

The CO₂ calculation and data are in compliance with the principles of a carbon footprint impact according to the GHG protocol (Greenhouse Gas Protocol), Scope 3, cradle to gate related to all individual components in the product category: "Themed play systems" represented by item no.: MSC641100-3717P.

(Scope 3 emissions include emission sources in the upstream and downstream value chain).

Date: 30. October 2023 | Valid until: 30. October 2025

Verified by:

Julie Marie Vejsgaard Larsen, LCA & EPD Consultant

Verification based on report: Validation of CO₂ calculation of 9 categories of Kompan product line, version 1.0, prepared by: Bureau Veritas HSE, Denmark: Julie M. V. Larsen.

Publication date: 30. October 2023

By Bureau Veritas HSE
 www.bureauveritas.dk
 +45 7731 1000

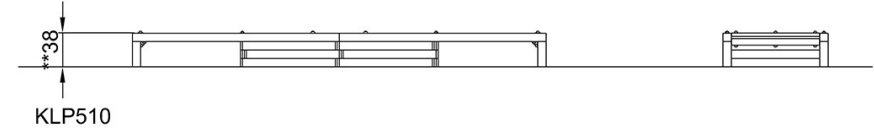
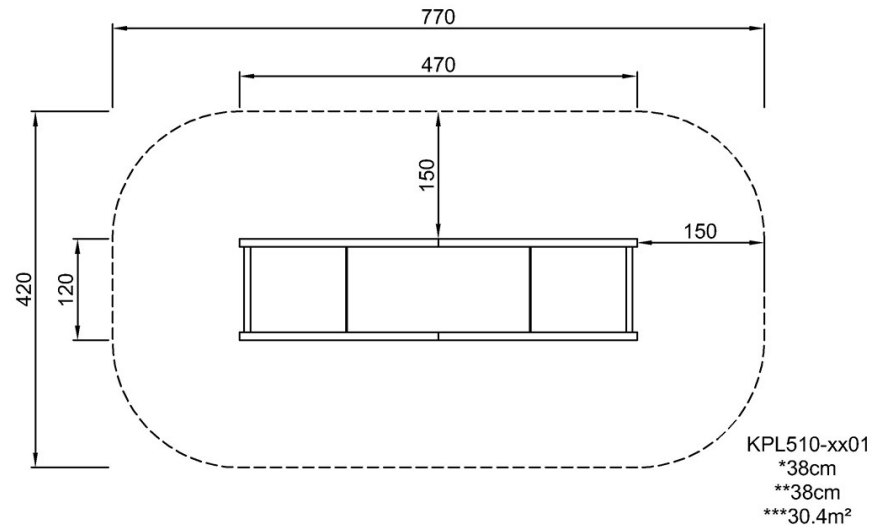


Sand Box with Lids

KPL510

* Max fall height | ** Total height | *** Safety surfacing area

* Max fall height | ** Total height



[Click to see TOP VIEW](#)

[Click to see SIDE VIEW](#)