

Swing H:2.5m, Std. Seats

KSW90014

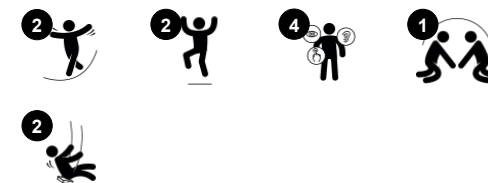
KOMPAN
Let's play



Item no. KSW90014-0909

General Product Information

Dimensions LxWxH	354x240x274 cm
Age group	2+
Play capacity (users)	2
Colour options	



KOMPAN swings can be configured to adapt to individual needs & demands. All A-Frame swings are available in 2m and 2.5m height with posts of impregnated pinewood, hardwood or hot-dip galvanized steel. As seats we offer standard swing seat, cradle seat, toddler seat or bird nests with a diameter of \varnothing 100cm or 120cm. In addition, the seats are available with

either hot dip galvanized chains or stainless steel chains and if preferred with anti-wrap suspensions. The modular swing system also enables multibay configurations with 2,3,4 or more sections.



Swing H:2.5m, Std. Seats

KSW90014



Two single swing seats

Physical: trains balance, coordination and spatial awareness. All necessary when judging distances. Trains arm, leg and core muscles, and strengthens bone density when jumping off. **Social-Emotional:** parallel play invites cooperation and consideration.

Cognitive: cause and effect and thinking skills for younger children. Rules games for bigger children, when swinging in same or different rhythm.



Swing H:2.5m, Std. Seats

KSW90014



The A-Frame is available with tree post material options: Hot dip galvanized $\varnothing 70\text{mm}$ steel, impregnated pine wood 95x95mm with hot dip galvanized steel footings or $\varnothing 120\text{mm}$ TexMade™ posts.



The A-Frame is designed with hot dip galvanized $\varnothing 100\text{mm}$ crossbar with large steel end plates for strong fixation to the posts. The crossbeam is prepared for all KOMPAN hanger options.



The swing hangers are made of high quality UV-stabilised nylon (PA6) housing with integrated lifetime sealed ball bearings. The height adjustable chains are fixed by a stainless steel hook with theft proof snake-eye bolt in a turn able anti twist housing. All seats with two chain fixation are available with either standard or anti-wrap suspension.



The standard seats of KOMPAN swings is engineered for maximum safety and durability. The two component seat with a PP inner core and outside rubber is produced in one operation. The seats are available with swing chains of either hot dip galvanised steel or stainless steel for all swings heights.



KOMPAN designed the bird's nest seats to be light in weight and in compliance with global safety standards. The soft, shock absorbent bumpers with non-slip surface makes the swing seat extremely user friendly. Choose between a rope version with reinforced PA rope or a moulded PE version. Both equipped with soft rubber bumpers.



KOMPAN GreenLine versions are designed with ultimate environmentally friendly materials with lowest possible CO2e emission factor. TexMade post, EcoCore™ panels of 95% post-consumer recycled waste and molded PP decks.

Item no. KSW90014-0909

Installation Information

Max. fall height	145 cm
Safety surfacing area	23.3 m ²
Total installation time	4.5
Excavation volume	1.30 m ³
Concrete volume	0.00 m ³
Footing depth (standard)	90 cm
Shipment weight	140 kg
Anchoring options	Surface ✓ In-ground ✓

Warranty Information

Chains	10 years
Hot dip galvanised steel	Lifetime
Spare parts guaranteed	10 years
Swing hangers	5 years
Swing seat	10 years



Sustainability Data

KSW90014



Cradle to Gate A1-A3	Total CO ₂ emission	CO ₂ e/kg	Recycled materials
	kg CO ₂ e	kg CO ₂ e/kg	%
KSW90014-0950	215.11	0.93	83.58
KSW90014-0909	384.39	2.80	47.72

The overall framework applied for these factors is the Environmental Product Declaration (EPD), which quantifies "environmental information on the life cycle of a product and enable comparisons between products fulfilling the same function" (ISO, 2006). This follows the structure and applies a Life-Cycle Assessment approach to the entire Product stage from raw material through manufacturing (A1-A3))

Kompan A/S
C.F. Tietgens Boulevard 32C
DK-5220 Odense SØ
Denmark



Verification of CO₂ calculation of: Freestanding play equipment



Data version no. 2023-10-05

The CO₂ calculation and data are in compliance with the principles of a carbon footprint impact according to the GHG protocol (Greenhouse Gas Protocol), Scope 3, cradle to gate related to all individual components in the product category: "Freestanding play equipment" represented by item no.: KSW92011-0910.

(Scope 3 emissions include emission sources in the upstream and downstream value chain).

Date: 30. October 2023 | Valid until: 30. October 2025

Verified by:

Julie Marie Vejsgaard Larsen, LCA & EPD Consultant

Verification based on report: Validation of CO₂ calculation of 9 categories of Kompan product line, version 1.0, prepared by: Bureau Veritas HSE, Denmark: Julie M. V. Larsen.

Publication date: 30. October 2023

By Bureau Veritas HSE
www.bureauveritas.dk
+45 7731 1000

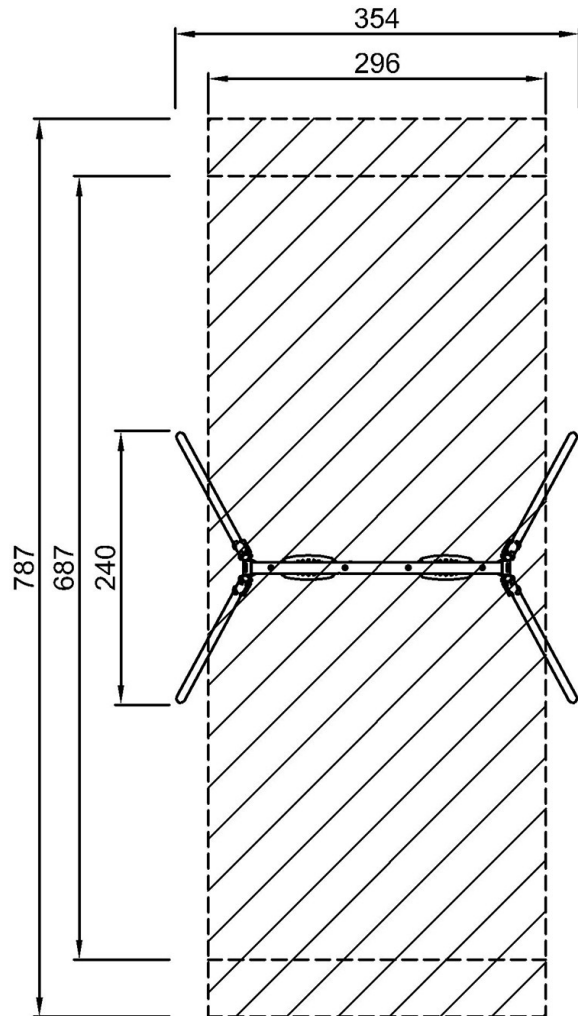


Swing H:2.5m, Std. Seats

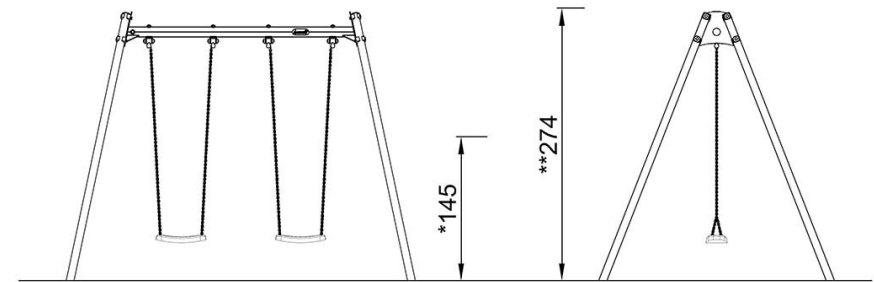
KSW90014

* Max fall height | ** Total height | *** Safety surfacing area

* Max fall height | ** Total height



KSW90014
*145cm
**274cm
***23.3m²



KSW90014

[Click to see TOP VIEW](#)

[Click to see SIDE VIEW](#)