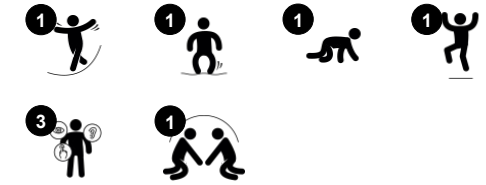


# Steep Slope

MSV606



产品编号 MSV60600-0201	
产品信息概览	
长宽高尺寸	120x56x51 cm
适用年龄段	1+
容纳人数	2
颜色选择	●



The steep slope is a fantastic motivator for play that helps to build strength, balance and coordination for young children. In addition, this challenging structure will help the youngest children assess risk and enrich their cognitive skills in risk assessment and decision-making. The intentional design helps children to feel successful and competent, while also

supporting social skills such as turn-taking and decision-making. These skills are important overall health and well-being. Children can gain a wealth of skills through play on the steep slope, as they practice their balance and strengthen their muscles with friends, as they take turns and share in games that help them to enjoy success. The low slope will help to

extend playtimes for healthy development and great fun.



# Steep Slope

MSV606



## Bouncy slope

**身体素质：**向上移动时，锻炼平衡感和空间感。爬过去时发展交叉协调能力。跳下时增强骨密度。



## 手撑

**身体素质：**gripping the handle to pull up your body trains hand-eye coordination and muscles.

# Steep Slope

MSV606



19mm EcoCore™ 座椅。EcoCore™ 是一款非常耐用、环保的产品材料，使用后可回收，由100% 回收材料制成的。

软膜是由输送带质量的耐摩擦橡胶材料构成。品质优良，抗紫外线能力强。嵌入式是由编织聚酯制成的四层装甲。装甲和两个表面层的总厚度为9毫米。

产品编号 MSV60600-0201

## 安装信息

最大跌落高度	41 cm
安全面积	12.8 m <sup>2</sup>
安装总时长	2.8
开挖量	0.00 m <sup>3</sup>
混凝土使用量	0.00 m <sup>3</sup>
标准入地深度	0 cm
运输重量	29 kg
固定选项	地表 ✓

## 质保信息

EcoCore HDPE	终身质保
橡胶软膜	2 年
承保零部件	10 年



# Sustainability Data

MSV606



## 从原材料到成品

CO<sub>2</sub> 排放总量

kg CO<sub>2</sub>e

CO<sub>2</sub> 排放量 / 千克

kg CO<sub>2</sub>e/kg

回收的原料

%

MSV60600-0201

41.07

1.42

67.52

这些因素采用的总体框架为环保产品声明 (EPD), 该声明可量化“产品生命周期的环保信息, 并对相同功能的产品进行对比”(ISO, 2006)。在遵循该框架的同时, 对从原材料到制造的整个产品阶段 (A1-A3) 应用生命周期评估法。

## Kompan A/S

C.F. Tietgens Boulevard 32C  
DK-5220 Odense SØ  
Denmark



## Verification of CO<sub>2</sub> calculation of: Themed play systems



Data version no. 2023-10-05

The CO<sub>2</sub> calculation and data are in compliance with the principles of a carbon footprint impact according to the GHG protocol (Greenhouse Gas Protocol), Scope 3, cradle to gate related to all individual components in the product category: "Themed play systems" represented by item no.: MSC641100-3717P.

(Scope 3 emissions include emission sources in the upstream and downstream value chain).

Date: 30. October 2023 | Valid until: 30. October 2025

Verified by:



Julie Marie Vejsgaard Larsen, LCA & EPD Consultant

Verification based on report: Validation of CO<sub>2</sub> calculation of 9 categories of Kompan product line, version 1.0, prepared by: Bureau Veritas HSE, Denmark: Julie M. V. Larsen.

Publication date: 30. October 2023

By Bureau Veritas HSE  
www.bureauveritas.dk  
+45 7731 1000

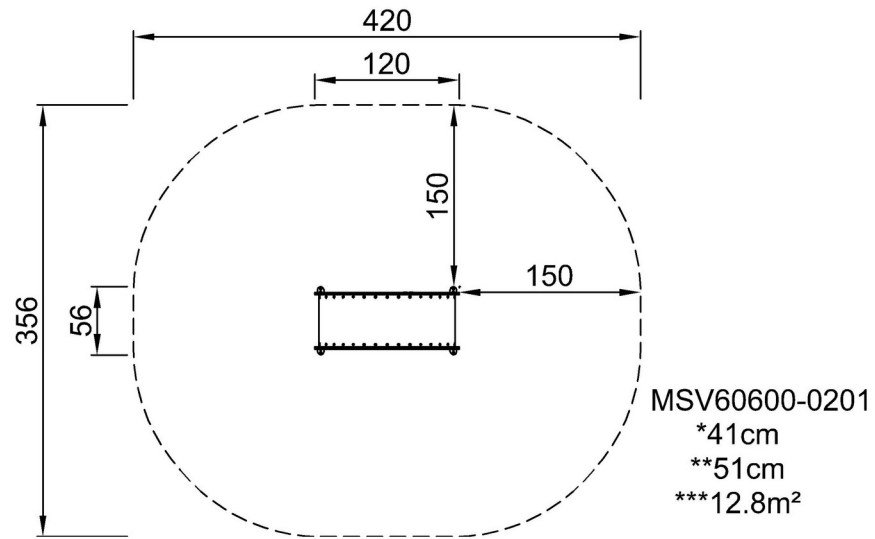


# Steep Slope

MSV606

最大跌落高度 | 总高度 | 安全区域

最大跌落高度 | 总高度



[点击查看俯视图](#)

[点击查看侧面图](#)