

# Two Seat Swing

NRO904

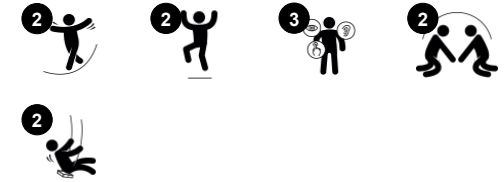
**KOMPANI**  
Let's play



Item no. NRO904-1101

## General Product Information

Dimensions LxWxH	424x208x284 cm
Age group	2+
Play capacity (users)	2
Color options	 



Of all the play activities swinging is a favourite, children love it, as it can be done individually or together. This swing set supports the joy of doing the same thing at the same time, featuring two similar swing seats. The seats are shaped with a slight curve in the middle, to facilitate the secure seat position of a wide age span. A great place to play, for all ages, for

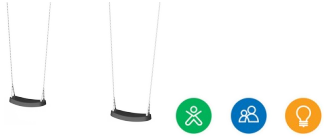
hours and days. Swinging trains the children's ABC: agility, balance and coordination as well as their spatial awareness. These motor skills are crucial to being able to judge distances and navigate, traffic safely. Children can stand, sit or lie on swings – as well as jumping off! Apart from the motor skills training, this trains the arm, leg and core muscles. The jumping off

builds bone density – the majority of which is built up during the first years of life.



# Two Seat Swing

NRO904



## Two single swing seats

**Physical:** trains balance, coordination and spatial awareness. All necessary when judging distances. Trains arm, leg and core muscles, and strengthens bone density when jumping off. **Social-Emotional:** parallel play invites cooperation and consideration. **Cognitive:** cause and effect and thinking skills for younger children. Rules games for bigger children, when swinging in same or different rhythm.



# Two Seat Swing

NRO904



All Organic Robinia products by KOMPAN are made of Robinia wood from sustainable European sources. On request it can be supplied as FSC® Certified (FSC® C004450).



The standard seats of KOMPAN swings is engineered for maximum safety and durability. The two component seat with a PP inner core and outside rubber is produced in one operation. The seats are available with swing chains of either hot dip galvanised steel or stainless steel for all swings heights.



Swing hangers for Robinia wood crossbeams are made of stainless steel brackets and can move over two axis. The flange bearings are silicone enriched to make the suspension maintenance free.

Item no. NRO904-1101	
Installation Information	
Max. fall height	150 cm
Safety surfacing area	25.1 m <sup>2</sup>
Total installation time	6.2
Excavation volume	1.47 m <sup>3</sup>
Concrete volume	0.32 m <sup>3</sup>
Footing depth (standard)	109 cm
Shipment weight	399 kg
Anchoring options	In-ground ✓
Warranty Information	
Chains	10 years
Robinia wood	15 years
Spare parts guaranteed	10 years
Stainless steel components	Lifetime



The Robinia wood can be supplied as untreated raw wood or painted with a brown coloured transparent pigment that maintains the golden wood colour of the wood.



# Sustainability Data

NRO904



Cradle to Gate A1-A3	Total CO <sub>2</sub> emission	CO <sub>2</sub> e/kg	Recycled materials
	kg CO <sub>2</sub> e	kg CO <sub>2</sub> e/kg	%
<b>NRO904-1101</b>	100.29	0.30	1.98

The overall framework applied for these factors is the Environmental Product Declaration (EPD), which quantifies "environmental information on the life cycle of a product and enable comparisons between products fulfilling the same function" (ISO, 2006). This follows the structure and applies a Life-Cycle Assessment approach to the entire Product stage from raw material through manufacturing (A1-A3))

**Kompan A/S**  
 C.F. Tietgens Boulevard 32C  
 DK-5220 Odense SØ  
 Denmark



## Verification of CO<sub>2</sub> calculation of: Nature play



Data version no. 2023-10-05

The CO<sub>2</sub> calculation and data are in compliance with the principles of a carbon footprint impact according to the GHG protocol (Greenhouse Gas Protocol), Scope 3, cradle to gate related to all individual components in the product category: "Nature play" represented by item no.: NRO409-0621.

(Scope 3 emissions include emission sources in the upstream and downstream value chain).

**Date: 30. October 2023 | Valid until: 30. October 2025**

**Verified by:**

Julie Marie Vejsgaard Larsen, LCA & EPD Consultant

Verification based on report: Validation of CO<sub>2</sub> calculation of 9 categories of Kompan product line, version 1.0, prepared by: Bureau Veritas HSE, Denmark: Julie M. V. Larsen.

**Publication date: 30. October 2023**

**By Bureau Veritas HSE**  
 www.bureauveritas.dk  
 +45 7731 1000

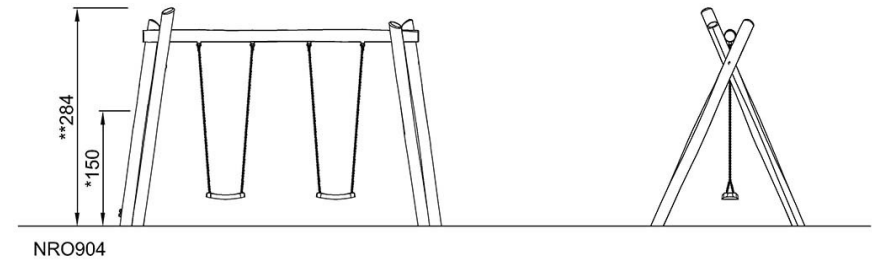
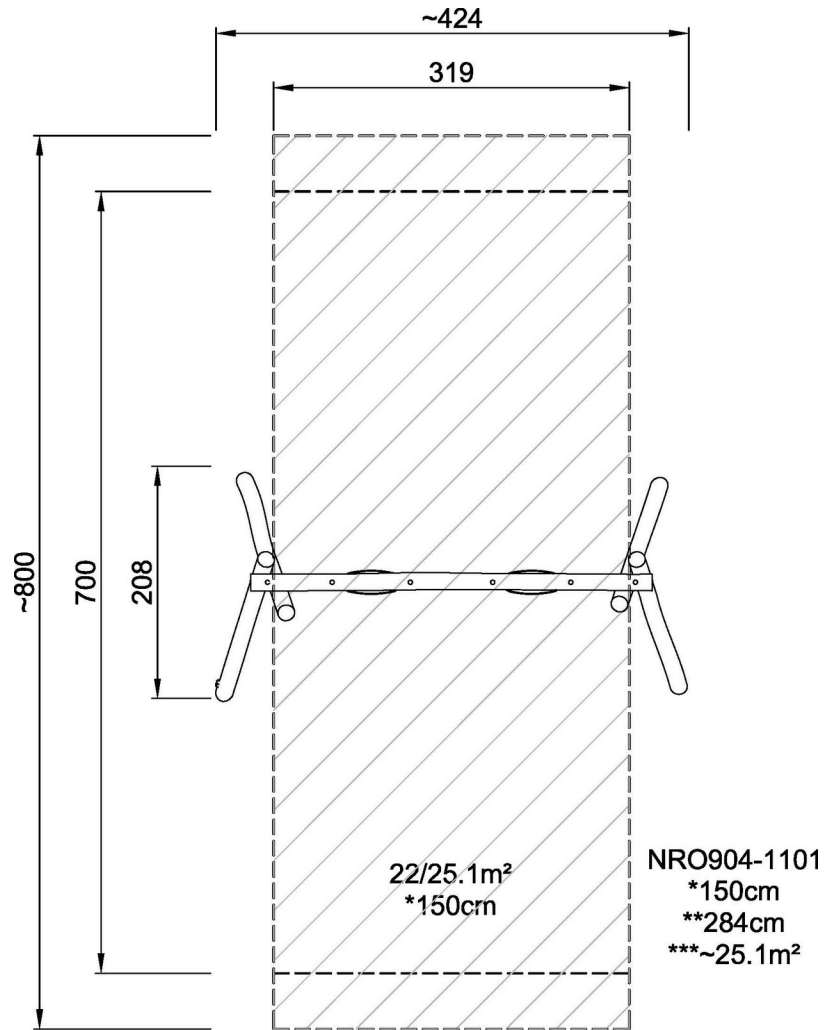


# Two Seat Swing

NRO904

\* Max fall height | \*\* Total height | \*\*\* Safety surfacing area

\* Max fall height | \*\* Total height



[Click to see TOP VIEW](#)

[Click to see SIDE VIEW](#)