

# Square Pull Up Station

FSW218

**KOMPAN**  
Let's play



Item no. FSW21801-0901

## General Product Information

Dimensions LxWxH 164x165x240 cm

Age group 13+

Play capacity (users) 4

Colour options 



See KOMPAN Fit app for more



The Square Pull Up Station can be used in many ways and by multiple users at the same time. Exercises range from normal pull ups to the most dynamic and advanced exercises such as the Flying Monkey, where you fly from one bar to another. The Pull Up Bars are made from solid steel and have a diameter of 32 mm. An ideal size for both men and women to have

a good grip. As the highest bar is connected at a height of 233 cm everyone will be able to hang freely, to make sure that everyone can reach the pull up bars there are 2 stepping pods at different heights.



Data is subject to change without prior notice.

# Square Pull Up Station

FSW218



The post is made of Ø101.6 x 2mm, pre-galvanised carbon steel and powder coated which is a great protection solution for all climate conditions.



The connectors are made of die-cast aluminium, specially alloyed for the outdoor environments and heavy usage. The screws attaching the connectors are stainless steel and protected by zinc washers.



All bars intended for pull ups are made of solid, ø32mm x 138m, hot-dip galvanised, S235JR steel bars. This diameter gives the right grip for all users.

Item no. FSW21801-0901

### Installation Information

Max. fall height	133 cm
Safety surfacing area	19.4 m <sup>2</sup>
Total installation time	3.7
Excavation volume	0.71 m <sup>3</sup>
Concrete volume	0.38 m <sup>3</sup>
Footing depth (standard)	90 cm
Shipment weight	165 kg
Anchoring options	In-ground ✓ Surface ✓

### Warranty Information

Connectors	10 years
Galvanised Steel	Lifetime
Post	10 years
Spare Parts Guarantee	10 years



All of KOMPAN's fitness products are compliant with AS 4685:2021, ASTM F3101 & EN16630 Outdoor Fitness Standards. Load tests are performed to the specified load of 78kg per user. A product intended for one user is loaded with 420kg.



The information sign is made of a PA6 (Polyamide) and shows the most relevant exercises. When users scan the QR code, this will link them to an animated illustration of the exercise and offers the possibility of downloading the KOMPAN Fitness App, which is programmed with many more exercise alternatives.



Steps are made of extruded aluminium with a non-skid surface. Aluminium has high corrosion resistance and ensures the durability of the product. Steps have been mounted at heights of 34,7cm and 54,7cm; making it easy to reach the overhead activity



# Sustainability Data

FSW218



Cradle to Gate A1-A3	Total CO <sub>2</sub> emission	CO <sub>2</sub> e/kg	Recycled materials
	kg CO <sub>2</sub> e	kg CO <sub>2</sub> e/kg	%
<b>FSW21801-0901</b>	341.11	3.31	48.99

The overall framework applied for these factors is the Environmental Product Declaration (EPD), which quantifies "environmental information on the life cycle of a product and enable comparisons between products fulfilling the same function" (ISO, 2006). This follows the structure and applies a Life-Cycle Assessment approach to the entire Product stage from raw material through manufacturing (A1-A3))

**Kompan A/S**  
 C.F. Tietgens Boulevard 32C  
 DK-5220 Odense SØ  
 Denmark



## Verification of CO<sub>2</sub> calculation of: Fitness



Data version no. 2023-10-05

The CO<sub>2</sub> calculation and data are in compliance with the principles of a carbon footprint impact according to the GHG protocol (Greenhouse Gas Protocol), Scope 3, cradle to gate related to all individual components in the product category: "Fitness" represented by item no.: FAZ10100-0900.

(Scope 3 emissions include emission sources in the upstream and downstream value chain).

**Date: 30. October 2023 | Valid until: 30. October 2025**

Verified by:

Julie Marie Vejsgaard Larsen, LCA & EPD Consultant

Verification based on report: Validation of CO<sub>2</sub> calculation of 9 categories of Kompan product line, version 1.0, prepared by: Bureau Veritas HSE, Denmark: Julie M. V. Larsen.

**Publication date: 30. October 2023**

By Bureau Veritas HSE  
 www.bureauveritas.dk  
 +45 7731 1000

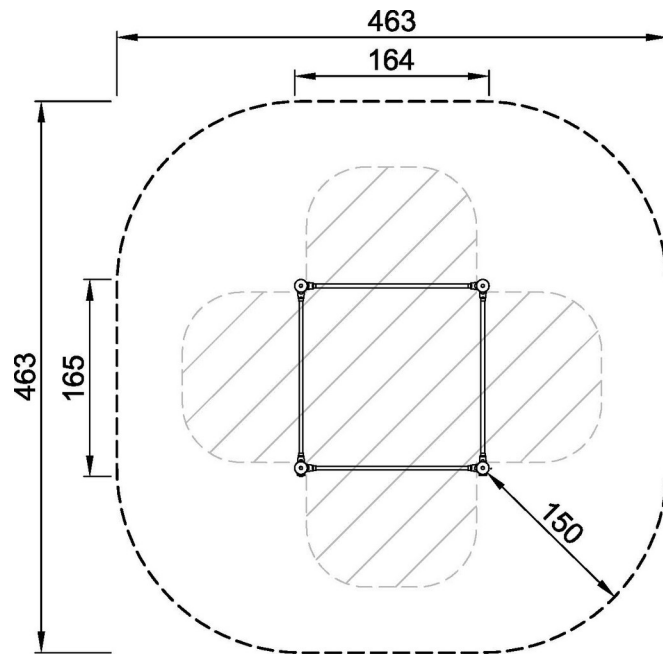


# Square Pull Up Station

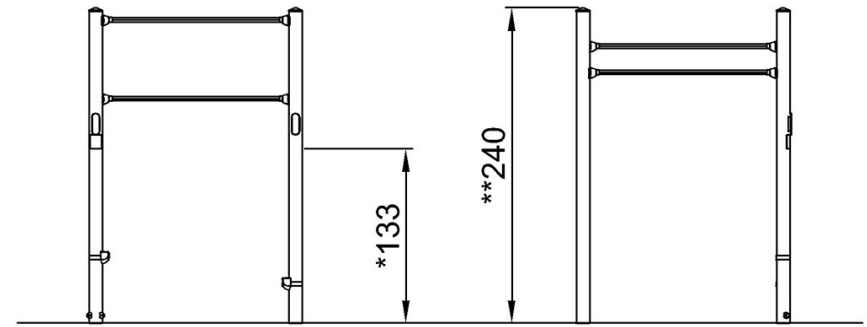
FSW218

\* Max fall height | \*\* Total height | \*\*\* Safety surfacing area

\* Max fall height | \*\* Total height



FSW21801  
\*133cm  
\*\*240cm  
\*\*\*19.4m<sup>2</sup>



FSW21801

[Click to see TOP VIEW](#)

[Click to see SIDE VIEW](#)