

Balance Plus

NRO871



Item no. NRO871-1001

General Product Information

Dimensions LxWxH	244x62x149 cm
Age group	4+
Play capacity (users)	2
Colour options	 



The Balance Plus is a playground classic, that attracts children again and again. It can function as playground glue, connecting activities. It can also function as a point for a break, providing seating for children, parents or carers in need of a point from which to observe play. When children navigate across the Balance Plus, they train their balance

immensely, which is a fundamental skill, that is basic for the development of all other skills. The sense of balance for instance makes it possible for children to sit still and concentrate. When zig-zag balancing across the Balance Plus, children will negotiate and turn-take to pass each other. This trains important social-emotional skills, that are important for instance

when making friends.



Data is subject to change without prior notice.

Balance Plus

NRO871



Balance beam

Physical: trains the sense of balance, fundamental for all other motor skills that makes it possible to navigate the world confidently and securely. **Social-Emotional:** turn-taking skills and negotiation when crossing each other on the beam. Room for a seated rest and exchange.



Support poles

Physical: provide stability in balancing.
Social-Emotional: add a feeling of security.

Balance Plus

NRO871



All Organic Robinia products by KOMPAN are made of Robinia wood from sustainable European sources. On request it can be supplied as FSC® Certified (FSC® C004450).

The Robinia wood can be supplied as untreated raw wood or painted with a brown coloured transparent pigment that maintains the golden wood colour of the wood.

Item no. NRO871-1001

Installation Information

Max. fall height	46 cm
Safety surfacing area	15.9 m ²
Total installation time	4.5
Excavation volume	0.50 m ³
Concrete volume	0.30 m ³
Footing depth (standard)	100 cm
Shipment weight	275 kg
Anchoring options	In-ground ✓

Warranty Information

Robinia wood	15 years
Spare parts guaranteed	10 years
Stainless steel components	Lifetime



Sustainability Data

NRO871



Cradle to Gate A1-A3	Total CO ₂ emission	CO ₂ e/kg	Recycled materials
	kg CO ₂ e	kg CO ₂ e/kg	%
NRO871-1001	28.06	0.14	0.70

The overall framework applied for these factors is the Environmental Product Declaration (EPD), which quantifies "environmental information on the life cycle of a product and enable comparisons between products fulfilling the same function" (ISO, 2006). This follows the structure and applies a Life-Cycle Assessment approach to the entire Product stage from raw material through manufacturing (A1-A3))

Kompan A/S
 C.F. Tietgens Boulevard 32C
 DK-5220 Odense SØ
 Denmark



Verification of CO₂ calculation of: Nature play



Data version no. 2023-10-05

The CO₂ calculation and data are in compliance with the principles of a carbon footprint impact according to the GHG protocol (Greenhouse Gas Protocol), Scope 3, cradle to gate related to all individual components in the product category: "Nature play" represented by item no.: NRO409-0621.

(Scope 3 emissions include emission sources in the upstream and downstream value chain).

Date: 30. October 2023 | Valid until: 30. October 2025

Verified by:

Julie Marie Vejsgaard Larsen, LCA & EPD Consultant

Verification based on report: Validation of CO₂ calculation of 9 categories of Kompan product line, version 1.0, prepared by: Bureau Veritas HSE, Denmark: Julie M. V. Larsen.

Publication date: 30. October 2023

By Bureau Veritas HSE
 www.bureauveritas.dk
 +45 7731 1000

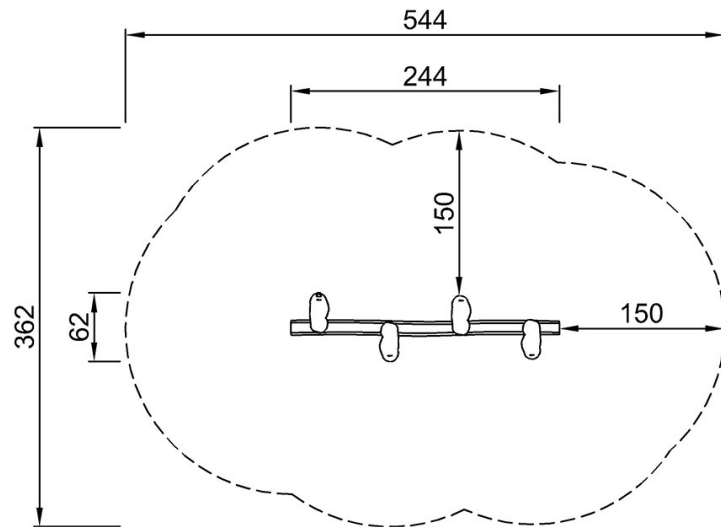


Balance Plus

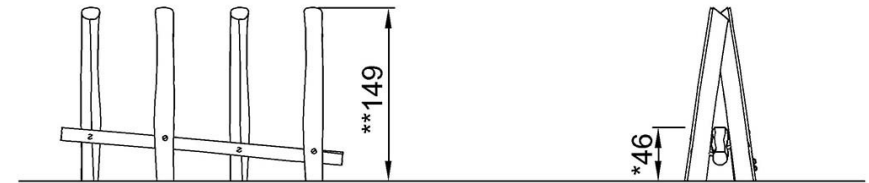
NRO871

* Max fall height | ** Total height | *** Safety surfacing area

* Max fall height | ** Total height



NRO871
*46cm
**149cm
***15.9m²



NRO871

[Click to see TOP VIEW](#)

[Click to see SIDE VIEW](#)