

Playhouse with Roof & Wall

NRO402

KOMPAN
Let's play



Item no. NRO402-0601	
General Product Information	
Dimensions LxWxH	271x162x260 cm
Age group	6m+
Play capacity (users)	5
Color options	



This adorable ship with its pirate flag will attract children again and again. With its welcoming triangular shape, the Playhouse with Roof & wall adds a shelter-feel to the classic ship and suggests a wealth of sailing scenarios: on deck or below. This invites continued dramatic play scenarios. The Play House with roof and wall welcomes smaller and bigger groups of

children for dramatic play. The steering wheel and flag set the stage for sailor's narratives and may evolve into harbor or fishing village themes when children play. Dramatic play trains children's imagination and feeling of control. Additionally, children play out everyday scenarios to under-stand their world better. While doing so, they talk with their peers. This

hugely stimulates language skills as well as communication and negotiation skills.



Playhouse with Roof & Wall

NRO402



All Organic Robinia products by KOMPAN are made of Robinia wood from sustainable European sources. On request it can be supplied as FSC® Certified (FSC® C004450).



The product/activities are preassembled from the factory to ensure all safety requirements are considered.



Robinia products are available in three different wood treatment options: Untreated Robinia wood or brown painted with a pigment that maintains the wood colour and coloured version with paint of selected components.



Flag is made of 19mm EcoCore™. EcoCore™ is a highly durable, eco-friendly material, which is not only recyclable after use, but is also made of +95% recycled post-consumer material from e.g., food packing waste in both core and colorful outer layer.

Item no. NRO402-0601	
Installation Information	
Max. fall height	0 cm
Safety surfacing area	21.0 m ²
Total installation time	6.9
Excavation volume	0.28 m ³
Concrete volume	0.04 m ³
Footing depth (standard)	60 cm
Shipment weight	463 kg
Anchoring options	In-ground ✓



Sustainability Data

NRO402



Cradle to Gate A1-A3	Total CO ₂ emission	CO ₂ e/kg	Recycled materials
	kg CO ₂ e	kg CO ₂ e/kg	%
NRO402-0601	63.30	0.19	2.20

The overall framework applied for these factors is the Environmental Product Declaration (EPD), which quantifies "environmental information on the life cycle of a product and enable comparisons between products fulfilling the same function" (ISO, 2006). This follows the structure and applies a Life-Cycle Assessment approach to the entire Product stage from raw material through manufacturing (A1-A3))

Kompan A/S
 C.F. Tietgens Boulevard 32C
 DK-5220 Odense SØ
 Denmark



Verification of CO₂ calculation of: Nature play



Data version no. 2023-10-05

The CO₂ calculation and data are in compliance with the principles of a carbon footprint impact according to the GHG protocol (Greenhouse Gas Protocol), Scope 3, cradle to gate related to all individual components in the product category: "Nature play" represented by item no.: NRO409-0621.

(Scope 3 emissions include emission sources in the upstream and downstream value chain).

Date: 30. October 2023 | Valid until: 30. October 2025

Verified by:

Julie Marie Vejsgaard Larsen, LCA & EPD Consultant

Verification based on report: Validation of CO₂ calculation of 9 categories of Kompan product line, version 1.0, prepared by: Bureau Veritas HSE, Denmark: Julie M. V. Larsen.

Publication date: 30. October 2023

By Bureau Veritas HSE
 www.bureauveritas.dk
 +45 7731 1000

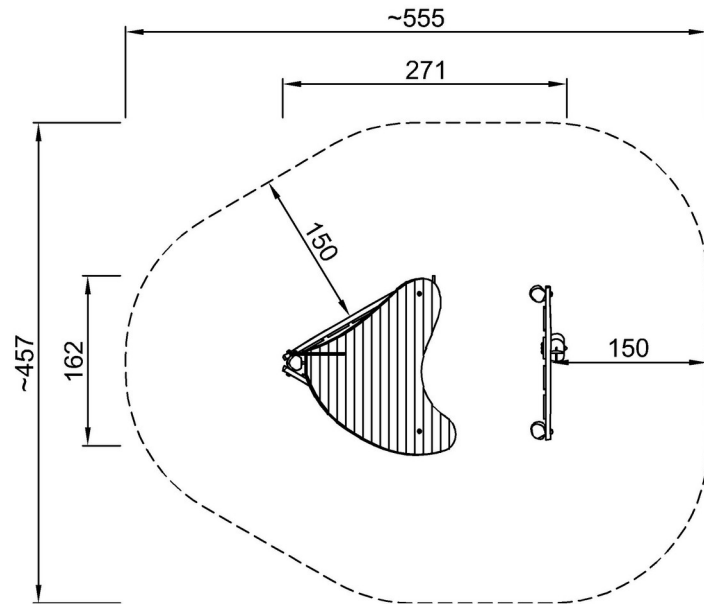


Playhouse with Roof & Wall

NRO402

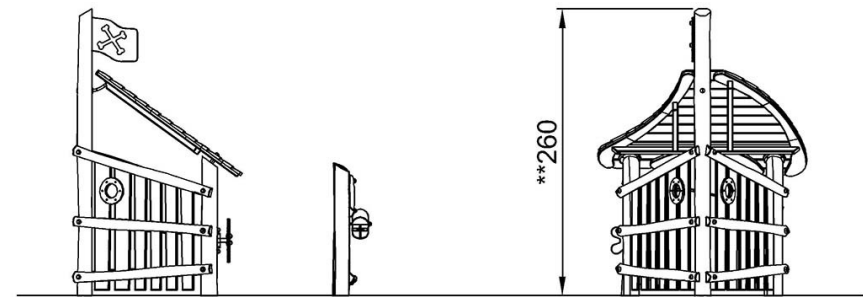
* Max fall height | ** Total height | *** Safety surfacing area

* Max fall height | ** Total height



NRO402

**260cm
***~21m²



NRO402

[Click to see TOP VIEW](#)

[Click to see SIDE VIEW](#)