

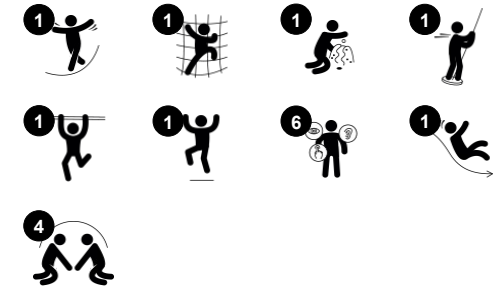
Large Play Tower with Fireman's Pole

PCM100221

KOMPAN
Let's play



Item no. PCM100221-0902	
General Product Information	
Dimensions LxWxH	224x370x251 cm
Age group	2+
Play capacity (users)	11
Color options	



The lovely Play Tower & Fireman's Pole attracts children again and again. It encourages active physical play time in richly varied ways. The stair climb offers a fast and age-appropriate climb to an elevated level. The egresses from here offer levelled challenges: the daredevil fireman's pole offers a thrilling ride to the ground, using the upper body

muscles to hold tight. It will add a sense of accomplishment to play. The slide is a milder, but still wild, ride to the ground. Sliding trains the core muscles and the sense of balance, when going down full speed and keeping the trunk upright. The nice space of the house gives a fun look at the playground through the bubble window. Talking here distorts the voice

back to you. On ground level, a lovely play desk offers a place to meet and greet.

Large Play Tower with Fireman's Pole

PCM100221



Panels of 19mm EcoCore™. EcoCore™ is a highly durable, eco friendly material, which is not only recyclable after use, but also consists of material produced from +95% recycled post consumer material from food packing waste.

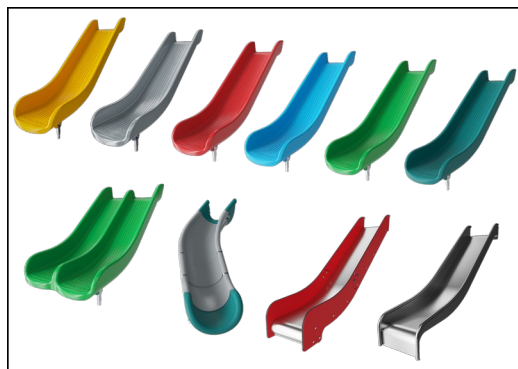


Main posts with hot dip galvanized steel footing are available in different materials: Pressure impregnated pine wood posts. Pre-galvanized inside and outside with powder coated top finish steel posts. Lead free aluminum with color anodized top finish. Greenline TexMade posts of 95% post-consumer recycled PE and textile waste.



All decks are supported by unique designed low-carbon aluminum profiles with multiple attachment options. The grey colored molded decks are made of 75% post-consumer waste PP material with a non-skid pattern and texture surface.

Item no. PCM100221-0902	
Installation Information	
Max. fall height	118 cm
Safety surfacing area	25.4 m ²
Total installation time	12.2
Excavation volume	0.33 m ³
Concrete volume	0.00 m ³
Footing depth (standard)	85 cm
Shipment weight	396 kg
Anchoring options	



The slides can be chosen in six different colors and three materials: Straight or curved one-piece molded PE slides, made from 33% recycled post-consumer materials in different colours. Combined EcoCore™ sides and stainless-steel. Full stainless steel in one piece design for more vandalism proof solutions.



The stainless-steel activities are made of high-quality stainless steel. The steel is cleaned by a total pickling process after manufacturing to ensure a smooth and clean gliding surfaces.



KOMPAN GreenLine versions are designed with ultimate environmentally friendly materials with lowest possible CO₂e emission factor such as EcoCore™ panels of +95% post consumer recycled ocean waste.



Sustainability Data

PCM100221



Cradle to Gate A1-A3	Total CO ₂ emission	CO ₂ e/kg	Recycled materials
	kg CO ₂ e	kg CO ₂ e/kg	%
PCM100221-0951	494.80	1.54	73.40
PCM100221-0902	617.30	2.16	62.20

The overall framework applied for these factors is the Environmental Product Declaration (EPD), which quantifies "environmental information on the life cycle of a product and enable comparisons between products fulfilling the same function" (ISO, 2006). This follows the structure and applies a Life-Cycle Assessment approach to the entire Product stage from raw material through manufacturing (A1-A3))

Kompan A/S
 C.F. Tietgens Boulevard 32C
 DK-5220 Odense SØ
 Denmark



Verification of CO₂ calculation of: Play systems



Data version no. 2023-10-05

The CO₂ calculation and data are in compliance with the principles of a carbon footprint impact according to the GHG protocol (Greenhouse Gas Protocol), Scope 3, cradle to gate related to all individual components in the product category: "Play systems" represented by item no.: PCM200321-0950.

(Scope 3 emissions include emission sources in the upstream and downstream value chain).

Date: 30. October 2023 | Valid until: 30. October 2025

Verified by:

Julie Marie Vejsgaard Larsen, LCA & EPD Consultant

Verification based on report: Validation of CO₂ calculation of 9 categories of Kompan product line, version 1.0, prepared by: Bureau Veritas HSE, Denmark: Julie M. V. Larsen.

Publication date: 30. October 2023

By Bureau Veritas HSE
 www.bureauveritas.dk
 +45 7731 1000

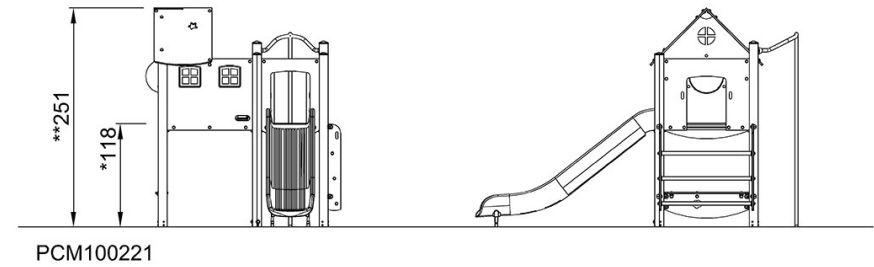
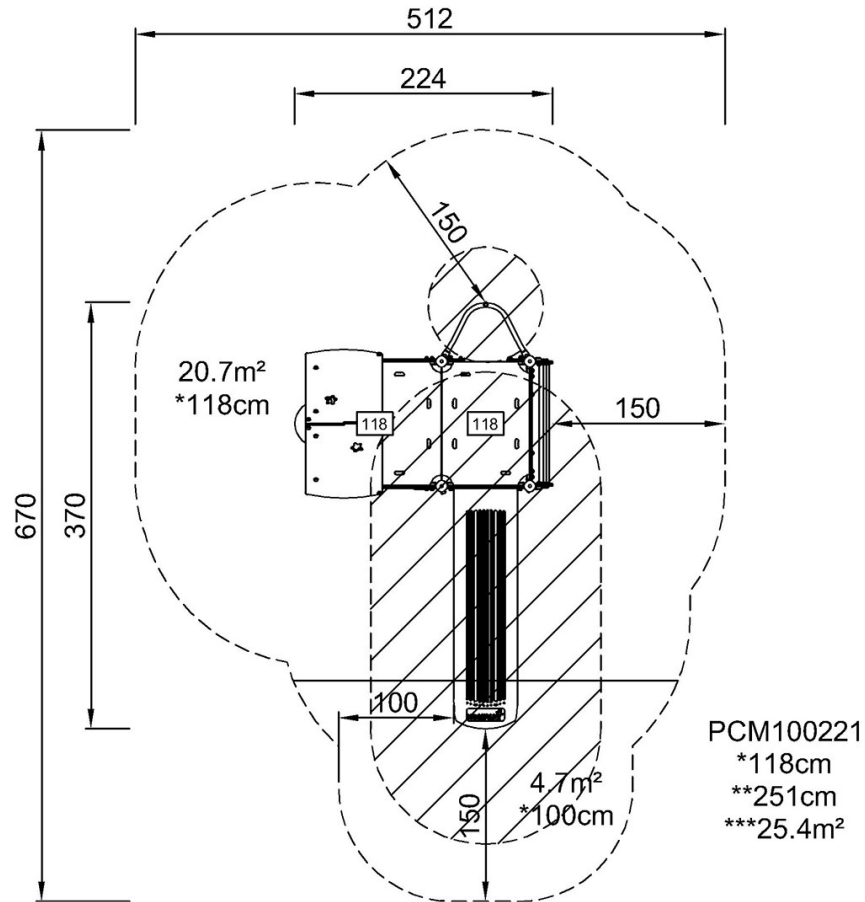


Large Play Tower with Fireman's Pole

PCM100221

* Max fall height | ** Total height | *** Safety surfacing area

* Max fall height | ** Total height



[Click to see TOP VIEW](#)

[Click to see SIDE VIEW](#)