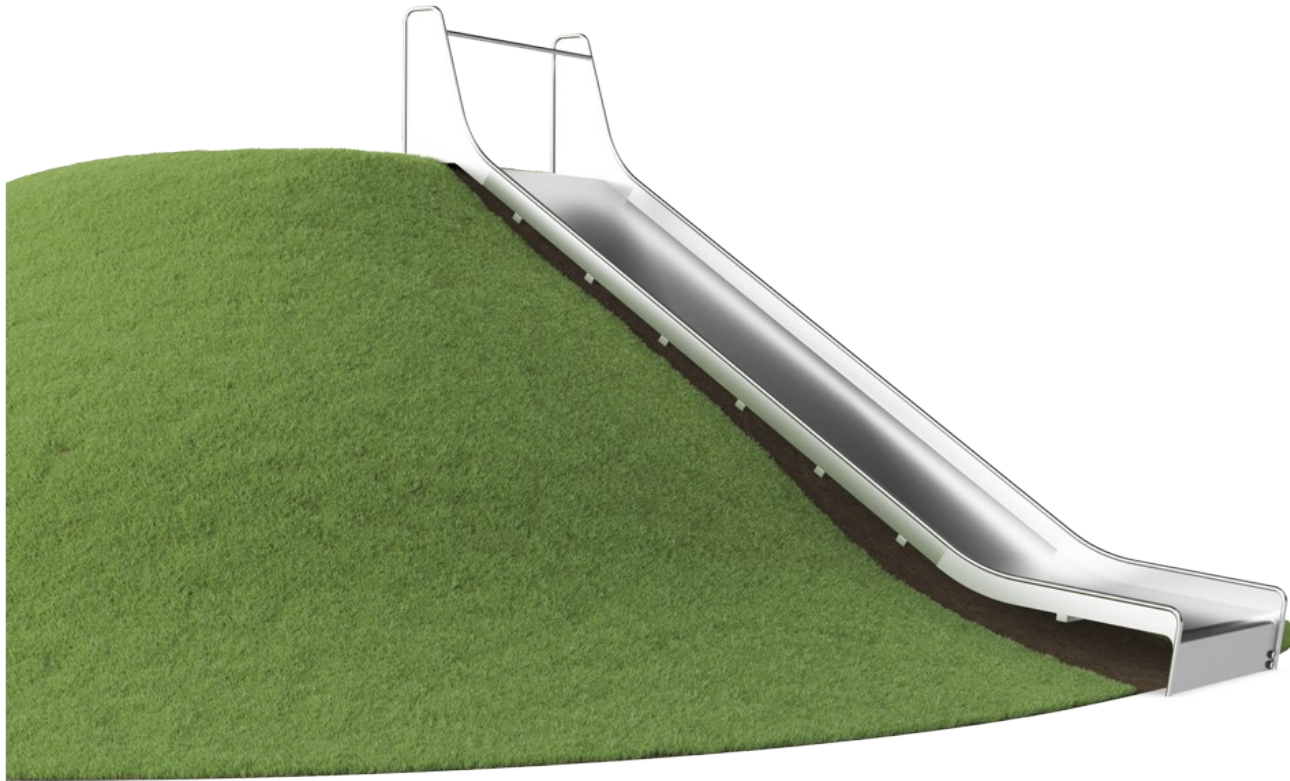


Taludglijbaan, H:3,0m, B:1,5m

KSL30903

KOMPAN
Let's play



Item nummer KSL30903-0401	
Algemene Product Informatie	
Afmetingen LxBxH	525x154x97 cm
Leeftijdsgroep	3+
Speelcapaciteit	2
Kleuropties	●



The extra wide Embankment Slide is extremely attractive. It makes children loop up hill and slide down again and again. The Embankment Slide will be a main attraction in a playground. Apart from the immense thrill of sliding, the Embankment Slide also supports children in developing important motor skills such as the sense of balance and space. These are

important in managing the world confidently and securely. The repeated loop of sliding and running back up is great training of cardio and muscle strength. The extra width adds a highly desirable rough-and-tumble element to play, when friends go down the slide together. This is a social-emotional benefit, which is further enhanced by the cooperation skills that

children use when slide together.

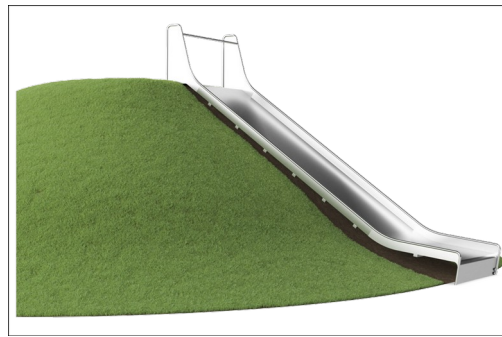


Taludglijbaan, H:3,0m, B:1,5m

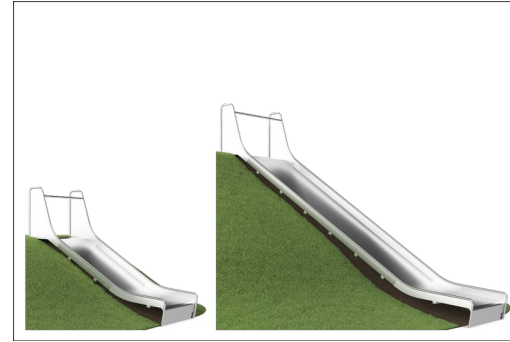
KSL30903



De roestvast stalen onderdelen zijn gemaakt van hoogwaardig roestvast staal en zijn in overeenstemming met de wereldwijde normen voor speelplaatsen. Het staal wordt na de productie gestraald om een glad glijvlak te garanderen.



Met 35° is de glijbaan in de optimale hoek gepositioneerd om zowel glijplezier als veiligheid te garanderen.



Om beter te kunnen inspelen op de verschillende terreinen, zijn de hellingsbanen beschikbaar in 9 lengtes van 1 - 3 m.

Item nummer KSL30903-0401

Installatie informatie

Max. valhoogte	100 cm
Veiligheidszone	30,0 m ²
Totale installatietijd	9,3
Graafwerk (vol.)	1,16 m ³
Benodigd beton	0,74 m ³
Verankeringsdiepte	110 cm
Verzendingsgewicht	616 kg
Verankeringsopties	In-ground ✓

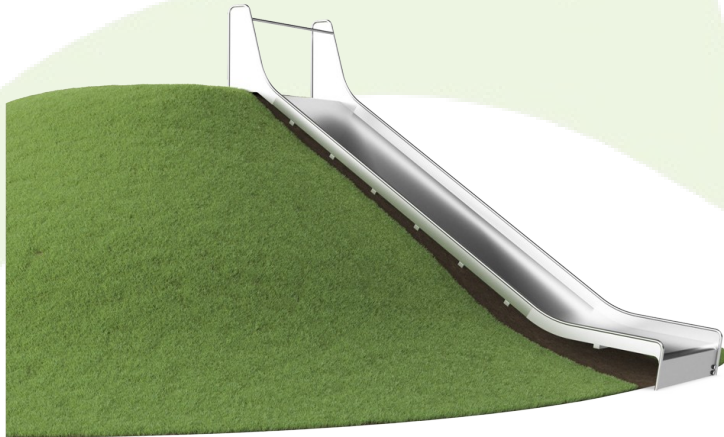
Garantie informatie

Gegarandeerde reserveonderdelen	10 jaar
Roestvast stalen glijbaan	10 jaar

EN
1176
compliant

Sustainability Data

KSL30903



Cradle to Gate A1-A3	Total CO ₂ emission	CO ₂ e/kg	Recycled materials
	kg CO ₂ e	kg CO ₂ e/kg	%
KSL30903-0401	1.220,04	4,20	49,98

The overall framework applied for these factors is the Environmental Product Declaration (EPD), which quantifies "environmental information on the life cycle of a product and enable comparisons between products fulfilling the same function" (ISO, 2006). This follows the structure and applies a Life-Cycle Assessment approach to the entire Product stage from raw material through manufacturing (A1-A3))

Kompan A/S
 C.F. Tietgens Boulevard 32C
 DK-5220 Odense SØ
 Denmark



Verification of CO₂ calculation of: Freestanding play equipment



Data version no. 2023-10-05

The CO₂ calculation and data are in compliance with the principles of a carbon footprint impact according to the GHG protocol (Greenhouse Gas Protocol), Scope 3, cradle to gate related to all individual components in the product category: "Freestanding play equipment" represented by item no.: GXY916012-3417.

(Scope 3 emissions include emission sources in the upstream and downstream value chain).

Date: 30. October 2023 | Valid until: 30. October 2025

Verified by:

Julie Marie Vejsgaard Larsen, LCA & EPD Consultant

Verification based on report: Validation of CO₂ calculation of 9 categories of Kompan product line, version 1.0, prepared by: Bureau Veritas HSE, Denmark: Julie M. V. Larsen.

Publication date: 30. October 2023

By Bureau Veritas HSE
 www.bureauveritas.dk
 +45 7731 1000

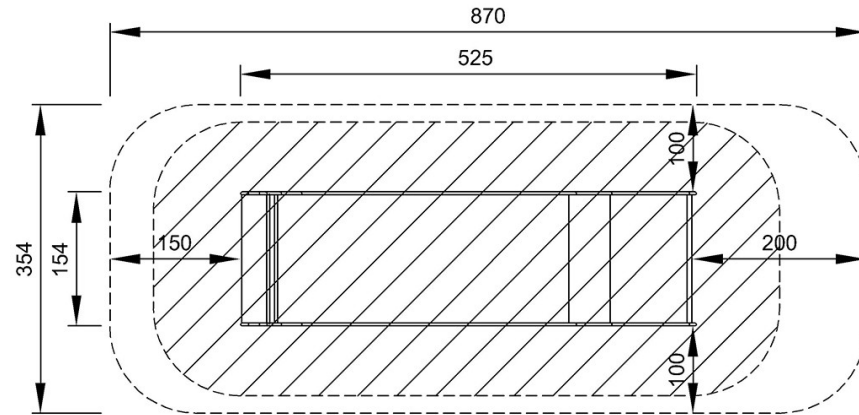


Taludglijbaan, H:3,0m, B:1,5m

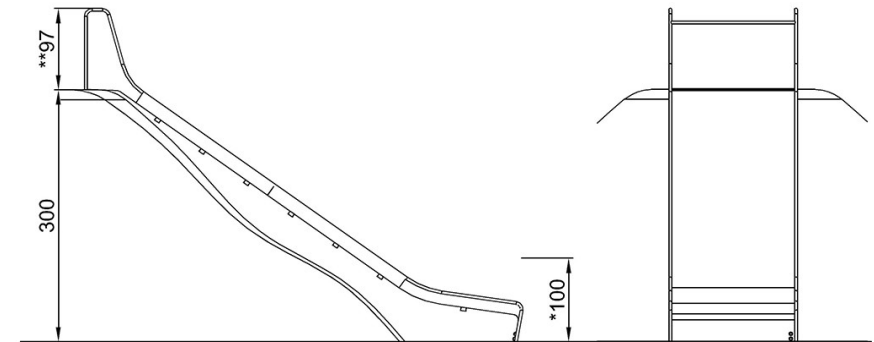
KSL30903

Max. valhoogte | Totale Hoogte | Veiligheidszone

Max. valhoogte | Totale Hoogte



KSL30903
*100cm
**97cm
***30m²



KSL30903

[Bekijk BOVENAANZICHT](#)

[Bekijk ZIJAANZICHT](#)