

Blazer

ELE400021



Item no. ELE400021-3218

General Product Information

Dimensions LxWxH	228x200x79 cm
Age group	3+
Play capacity (users)	6
Color options	



The whimsical shapes and colours of the Blazer evoke children's curiosity: they want to try it out. The vibrant colours are consciously chosen to support beginning rules understanding of the 3+ year olds: they can choose their colour. The springs make it possible rocking individually or in uneven numbers, too. The platform in the middle

supports lying and standing. The platform can be used to start games or as a meeting point. Rocking on the Blazer, especially when standing on the middle platform, trains the child's sense of space and balance. These are crucial as a basis of navigating the world securely. Good mastery of space and balance is the basis of for instance being able to sit still.

When the sense of balance is not developed, children cannot focus on anything else. So the sense of balance needs to be automatised in the early years. The Blazer is a fun, playful way to do that.



Blazer

ELE400021



KOMPAN Springs are made of high quality spring steel according to EN10270. The springs are cleaned by phosphating before they are painted with an epoxy primer and a polyester powder coating as top finish. The springs are fixed by unique anti pinch fittings for maximum safety and long lifetime.



Handles and footrests are made with a moulded PP insert and an outer layer of soft TPV rubber. The handles and footrests are attached to the pipe with a galvanised steel inlay to ensure strength and durability.



The middle plate is made of HPL with a thickness of 17.8mm. It has a very high wearing strength and a unique KOMPAN non skid surface texture.

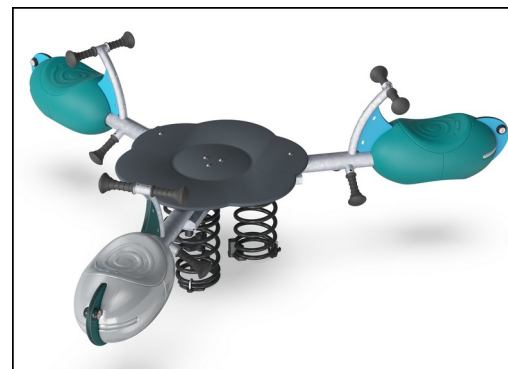
Item no. ELE400021-3218	
Installation Information	
Max. fall height	100 cm
Safety surfacing area	14.3 m ²
Total installation time	4.0
Excavation volume	0.66 m ³
Concrete volume	0.00 m ³
Footing depth (standard)	42 cm
Shipment weight	199 kg
Anchoring options	In-ground ✓ Surface ✓



The steel surfaces are hot dip galvanised inside and outside with lead free zinc. The galvanisation has excellent corrosion resistance in outside environments and requires low maintenance.



The seat is made with recycable PE from 33% post consumer materials and moulded in one piece with a minimum 5mm wall thickness. PE has high impact resistance across a wide temperature span which ensures vandal resistance in all locations.

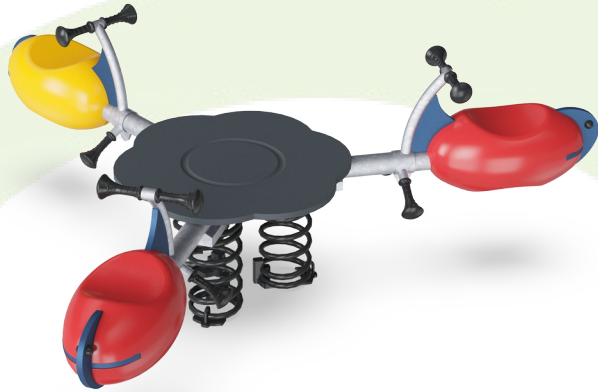


KOMPAN GreenLine versions are designed with ultimate environmentally friendly materials with lowest possible CO2e emission factor such as EcoCore™ panels of +95% post consumer recycled ocean waste.



Sustainability Data

ELE400021



Cradle to Gate A1-A3	Total CO ₂ emission	CO ₂ e/kg	Recycled materials
	kg CO ₂ e	kg CO ₂ e/kg	%
ELE400021-3218	316.30	2.31	36.20

The overall framework applied for these factors is the Environmental Product Declaration (EPD), which quantifies "environmental information on the life cycle of a product and enable comparisons between products fulfilling the same function" (ISO, 2006). This follows the structure and applies a Life-Cycle Assessment approach to the entire Product stage from raw material through manufacturing (A1-A3))

Kompan A/S
C.F. Tietgens Boulevard 32C
DK-5220 Odense SØ
Denmark



Verification of CO₂ calculation of: Freestanding play equipment



Data version no. 2023-10-05

The CO₂ calculation and data are in compliance with the principles of a carbon footprint impact according to the GHG protocol (Greenhouse Gas Protocol), Scope 3, cradle to gate related to all individual components in the product category: "Freestanding play equipment" represented by item no.: GXY916012-3417.

(Scope 3 emissions include emission sources in the upstream and downstream value chain).

Date: 30. October 2023 | Valid until: 30. October 2025

Verified by:

Julie Marie Vejsgaard Larsen, LCA & EPD Consultant

Verification based on report: Validation of CO₂ calculation of 9 categories of Kompan product line, version 1.0, prepared by: Bureau Veritas HSE, Denmark: Julie M. V. Larsen.

Publication date: 30. October 2023

By Bureau Veritas HSE
www.bureauveritas.dk
+45 7731 1000

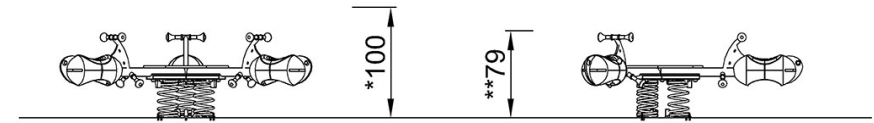
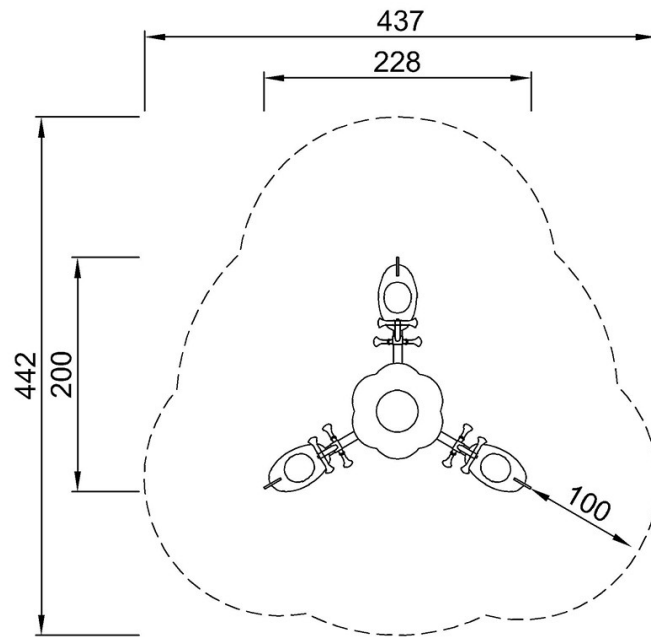


Blazer

ELE400021

* Max fall height | ** Total height | *** Safety surfacing area

* Max fall height | ** Total height



ELE400021

ELE400021
*100cm
**79cm
***14.3m²

[Click to see TOP VIEW](#)

[Click to see SIDE VIEW](#)