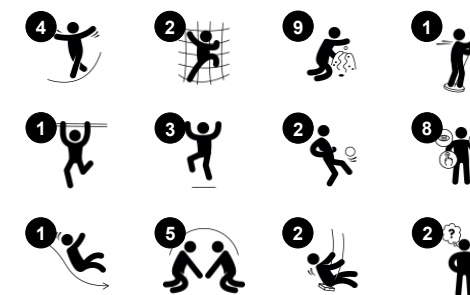


# Play Tower with Swing, 2 Seats

PCM110721



Item no. PCM110721-0902	
General Product Information	
Dimensions LxWxH	785x500x412 cm
Age group	4+
Play capacity (users)	12
Color options	<span style="color: green;">●</span> <span style="color: red;">●</span> <span style="color: green;">●</span> <span style="color: orange;">●</span> <span style="color: blue;">●</span> <span style="color: yellow;">●</span>



This play tower with a swing enhances physical play with opportunities for children to move their bodies by climbing, stretching, sliding, and swinging. The structure motivates children by providing a variety of play activities for physical, social, and cognitive play. The Rappel climber strengthens muscles and helps to develop cross-coordination skills. This

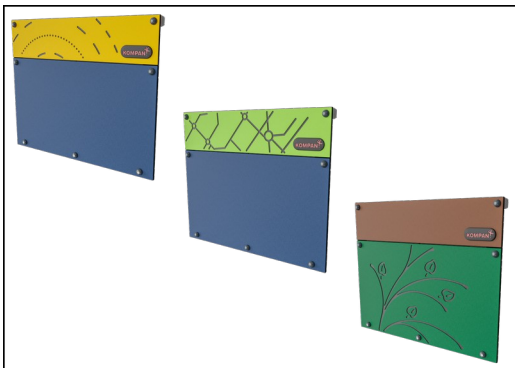
enhances a child's ability to use both sides of their brain, and supports the internal structures that enable reading and thinking. Sliding is immensely thrilling and also supports posture and balance. They are the basis for many other physical skills and help to build up confidence to navigate the world securely. Swinging is a favourite playground activity that instantly

attracts children. The two swing seats will provide hours of social interaction and fun.



# Play Tower with Swing, 2 Seats

PCM110721



Panels of 19mm EcoCore™. EcoCore™ is a highly durable, eco friendly material, which is not only recyclable after use, but also consists of material produced from +95% recycled post consumer material from food packing waste.

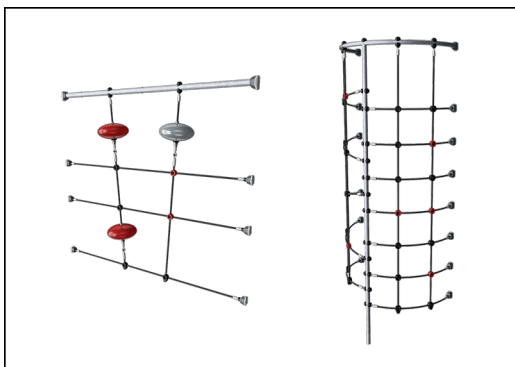


The slides can be chosen in different materials and colors: Straight or curved one-piece molded PE slides in yellow or grey color. Combined EcoCore™ sides and stainless-steel. Full stainless steel in one-piece design for more vandalism proof solutions.



Main posts with hot dip galvanized steel footing are available in different materials: Pressure impregnated pine wood posts. Pre-galvanized inside and outside with powder coated top finish steel posts. Lead free aluminum with color anodized top finish. Greenline TexMade posts of 95% post-consumer recycled PE and textile waste.

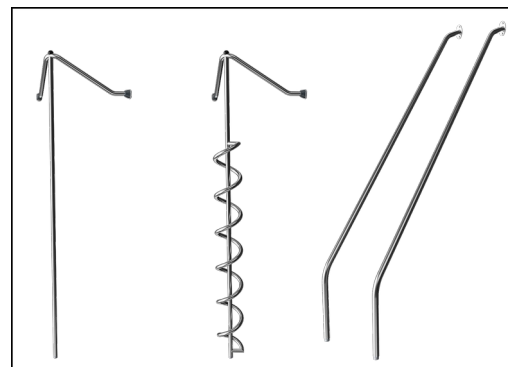
Item no. PCM110721-0902	
Installation Information	
Max. fall height	239 cm
Safety surfacing area	58.3 m <sup>2</sup>
Total installation time	16.0
Excavation volume	1.01 m <sup>3</sup>
Concrete volume	0.04 m <sup>3</sup>
Footing depth (standard)	85 cm
Shipment weight	563 kg
Anchoring options	



Ropes of UV-stabilized PES rope strands with inner steel cable reinforcement. The polyester yarn is made from +95% post-consumer materials and is inductively melted onto each strand.



All decks are supported by unique designed low-carbon aluminum profiles with multiple attachment options. The grey colored molded decks are made of 75% post-consumer waste PP material with a non-skid pattern and texture surface.



The stainless-steel activities are made of high-quality stainless steel. The steel is cleaned by a total pickling process after manufacturing to ensure a smooth and clean gliding surfaces.



# Sustainability Data

PCM110721



Cradle to Gate A1-A3	Total CO <sub>2</sub> emission	CO <sub>2</sub> e/kg	Recycled materials
	kg CO <sub>2</sub> e	kg CO <sub>2</sub> e/kg	%
<b>PCM110721-0902</b>	1,140.80	2.65	54.60

The overall framework applied for these factors is the Environmental Product Declaration (EPD), which quantifies "environmental information on the life cycle of a product and enable comparisons between products fulfilling the same function" (ISO, 2006). This follows the structure and applies a Life-Cycle Assessment approach to the entire Product stage from raw material through manufacturing (A1-A3))

**Kompan A/S**  
 C.F. Tietgens Boulevard 32C  
 DK-5220 Odense SØ  
 Denmark



## Verification of CO<sub>2</sub> calculation of: Play systems



Data version no. 2023-10-05

The CO<sub>2</sub> calculation and data are in compliance with the principles of a carbon footprint impact according to the GHG protocol (Greenhouse Gas Protocol), Scope 3, cradle to gate related to all individual components in the product category: "Play systems" represented by item no.: PCM200321-0950.

(Scope 3 emissions include emission sources in the upstream and downstream value chain).

**Date: 30. October 2023 | Valid until: 30. October 2025**

Verified by:

Julie Marie Vejsgaard Larsen, LCA & EPD Consultant

Verification based on report: Validation of CO<sub>2</sub> calculation of 9 categories of Kompan product line, version 1.0, prepared by: Bureau Veritas HSE, Denmark: Julie M. V. Larsen.

**Publication date: 30. October 2023**

By Bureau Veritas HSE  
 www.bureauveritas.dk  
 +45 7731 1000

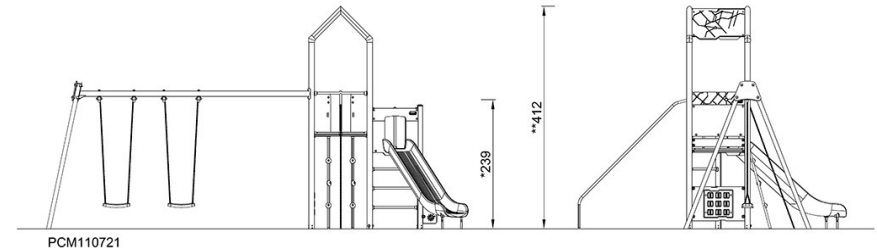
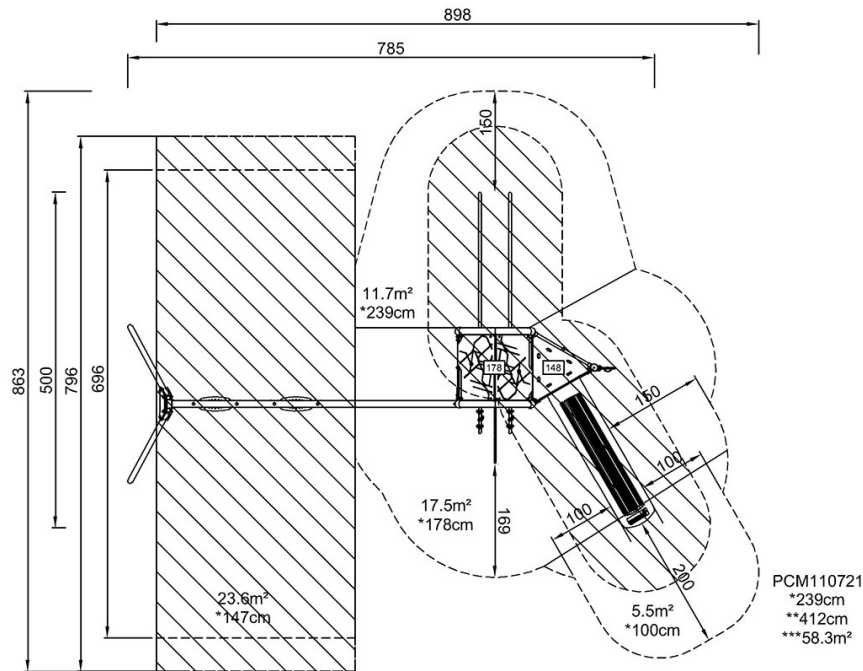


# Play Tower with Swing, 2 Seats

PCM110721

\* Max fall height | \*\* Total height | \*\*\* Safety surfacing area

\* Max fall height | \*\* Total height



[Click to see TOP VIEW](#)

[Click to see SIDE VIEW](#)