
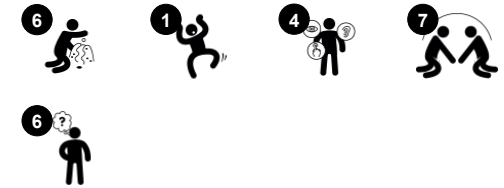


Toddler Garden House

M410



Item no. M41000-3118P	
General Product Information	
Dimensions LxWxH	4'7"x3'10"x3'11"
Age group	6m - 4
Play capacity (users)	8
Color options	



Wow! This toddler-sized allotment house is rich in activities that attract and hold young children in play, repeatedly. The varied play elements support the child's social-emotional, cognitive, and creative development. The many small or big openings and semi-open sides encourage play co-operation from the inside to the outside, increasing the number of children who

can participate in a way that makes sense. There is a number of manipulative play items that respond to the actions of the child: turning desk, spheres running in grooves and door lock. When items respond to the child's actions it stimulates an understanding of causal relations. It motivates talking and stimulates language development.

Toddler Garden House

M410



Theme

Cognitive: suggests a theme and supports dramatic play, which stimulates language and communication skills.



Desk

Social-Emotional: fine meeting place and a space creator. Sharing and cooperation from both sides create a social scenario that supports communication and cooperation.



Turn disk and sound creator

Social-Emotional: spurs group play and conversations with its dual-sidedness.
Cognitive: logical thinking, understanding numeracy. **Creative:** creating sounds when the spheres run through grooves.



Themed element

Cognitive: sets a tangible theme and so spurs dramatic play. Dramatic play is a great trainer of language skills.



Window

Social-Emotional: invites interaction between sides and cooperative play.



Megaphone

Social-Emotional: inspires communication and turn-taking skills. **Cognitive:** distortion of sound evokes curiosity and stimulates an understanding of cause and effect.

Toddler Garden House

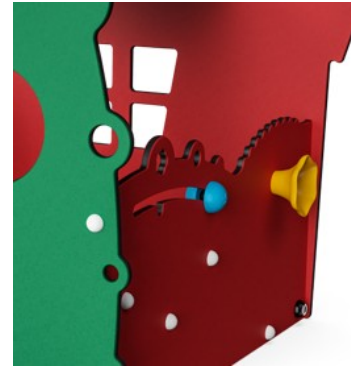
M410



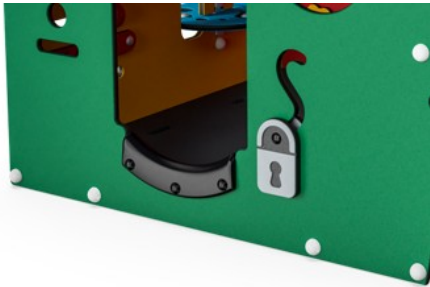
Panels of 19mm EcoCore™. EcoCore™ is a highly durable, eco friendly material, which is not only recyclable after use, but also consists of a core produced from 100% recycled material.



Floor is made of HPL with a thickness 10 mm and non skid surface texture according to EN 438-6. KOMPAN HPL has high wearing strength to ensure long lifetime in all climates.



Play activities like the Megaphone are made of injection molded high quality nylon (PA6). PA6 has good wearing and impact strength and is UV stabilized.



Edge protection is made of PUR. It retains its properties in the temperature range of -30°C to 60°C. Material is UV stabilized.

Item no. M41000-3118P	
Installation Information	
Max. fall height	0'0"
Safety surfacing area	0ft²
Total installation time	5.8
Excavation volume	0.12yd³
Concrete volume	0yd³
Footing depth (standard)	1'1"
Shipment weight	314lbs
Anchoring options	In-ground ✓ Surface ✓
Warranty Information	
EcoCore HDPE	Lifetime
HPL decks	15 Years
Movable parts	2 Years
Spare Parts Availability	10 Years

Elevated activities 0	Accessible elevated activities	Accessible ground level activities	Accessible ground level play types
Present	0	1	1
Required	0	1	1



Sustainability Data

M410



Cradle to Gate A1-A3	Total CO ₂ emission	CO ₂ e/kg	Recycled materials
	kg CO ₂ e	kg CO ₂ e/kg	%
M41000-3118P	131.15	1.23	73.59

The overall framework applied for these factors is the Environmental Product Declaration (EPD), which quantifies "environmental information on the life cycle of a product and enable comparisons between products fulfilling the same function" (ISO, 2006). This follows the structure and applies a Life-Cycle Assessment approach to the entire Product stage from raw material through manufacturing (A1-A3))

Kompan A/S
 C.F. Tietgens Boulevard 32C
 DK-5220 Odense SØ
 Denmark



Verification of CO₂ calculation of: Themed play systems



Data version no. 2023-10-05

The CO₂ calculation and data are in compliance with the principles of a carbon footprint impact according to the GHG protocol (Greenhouse Gas Protocol), Scope 3, cradle to gate related to all individual components in the product category: "Themed play systems" represented by item no.: MSC641100-3717P.

(Scope 3 emissions include emission sources in the upstream and downstream value chain).

Date: 30. October 2023 | Valid until: 30. October 2025

Verified by:

Julie Marie Vejsgaard Larsen, LCA & EPD Consultant

Verification based on report: Validation of CO₂ calculation of 9 categories of Kompan product line, version 1.0, prepared by: Bureau Veritas HSE, Denmark: Julie M. V. Larsen.

Publication date: 30. October 2023

By Bureau Veritas HSE
 www.bureauveritas.dk
 +45 7731 1000

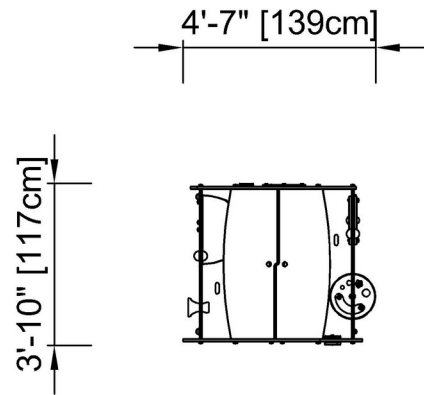


Toddler Garden House

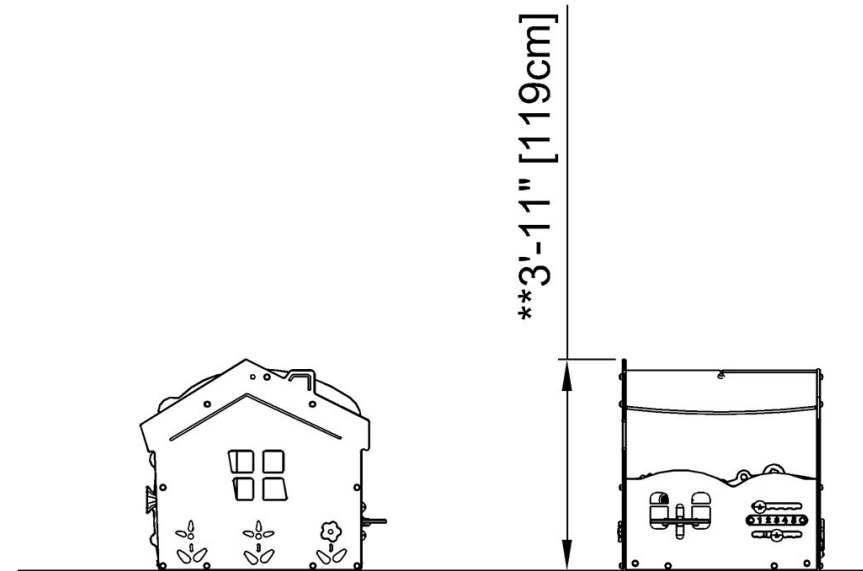
M410

* Max fall height | ** Total height | *** Safety surfacing area

* Max fall height | ** Total height



M41000
** 3'-11" / 119cm



M41000

[Click to see TOP VIEW](#)

[Click to see SIDE VIEW](#)