


# Entry Seesaw, 2 Persons

NRO105



Item no. NRO105-1001	
<b>General Product Information</b>	
Dimensions LxWxH	412x50x115 cm
Age group	4+
Play capacity (users)	2
Colour options	



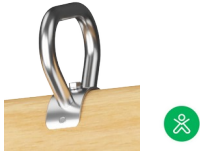
For many generations, the Seesaw is a playground classic, it attracts players again and again. The tickling in the stomach when going up high, and the rush as you are going down fast make this play piece one of the greats. The Seesaw develops the sense of space and rhythm and leg muscles of children which are crucial motor skills that help children navigate

the world securely, e.g. in the street when estimating time, movement, and objects. The social dimension and degree of trust in your peer that is demanded when seesawing, is great training of social-emotional life skills such as turn-taking and cooperation. Empathy is also trained, as players consider others' limits and limitations., or they may get inspired to try

out things they didn't dare to do before, because other children dare to.

# Entry Seesaw, 2 Persons

NRO105



## Handhold

**Physical:** opens more hold positions and ensures good grip, necessary for rocking intensely which trains hand and arm muscles.



## Rocking together

**Social-Emotional:** the possibility of rocking two together trains cooperation skills and consideration of others.



## Rocking movement

**Physical:** response to movements adds to spatial awareness and sense of balance which are fundamental motor skills.

**Cognitive:** trains the understanding of cause and effect: when I move my body, the spring responds with movement.

# Entry Seesaw, 2 Persons

NRO105



All organic Robinia products by KOMPAN are made of Robinia wood which is sourced from sustainable plantation farms. On request it can be supplied as FSC® Certified (FSC® C004450).



The hardware is made of stainless steel or galvanised steel to ensure durable connections that has high corrosion resistance.



The Robinia wood can be supplied as untreated raw wood or painted with a brown coloured transparent pigment that maintains the golden wood colour of the wood.

Item no. NRO105-1001

## Installation Information

Max. fall height	115 cm
Safety surfacing area	12.3 m <sup>2</sup>
Total installation time	3.7
Excavation volume	0.58 m <sup>3</sup>
Concrete volume	0.16 m <sup>3</sup>
Footing depth (standard)	100 cm
Shipment weight	195 kg
Anchoring options	In-ground ✓

## Warranty Information

Robinia Wood	15 years
Spare Parts Guarantee	10 years
Stainless Steel Components	Lifetime



# Sustainability Data

NRO105



Cradle to Gate A1-A3	Total CO <sub>2</sub> emission	CO <sub>2</sub> e/kg	Recycled materials
	kg CO <sub>2</sub> e	kg CO <sub>2</sub> e/kg	%
NRO105-1001	64.74	0.41	19.59

The overall framework applied for these factors is the Environmental Product Declaration (EPD), which quantifies "environmental information on the life cycle of a product and enable comparisons between products fulfilling the same function" (ISO, 2006). This follows the structure and applies a Life-Cycle Assessment approach to the entire Product stage from raw material through manufacturing (A1-A3))

**Kompan A/S**  
 C.F. Tietgens Boulevard 32C  
 DK-5220 Odense SØ  
 Denmark



## Verification of CO<sub>2</sub> calculation of: Nature play



Data version no. 2023-10-05

The CO<sub>2</sub> calculation and data are in compliance with the principles of a carbon footprint impact according to the GHG protocol (Greenhouse Gas Protocol), Scope 3, cradle to gate related to all individual components in the product category: "Nature play" represented by item no.: NRO409-0621.

(Scope 3 emissions include emission sources in the upstream and downstream value chain).

**Date: 30. October 2023 | Valid until: 30. October 2025**

Verified by:

Julie Marie Vejsgaard Larsen, LCA & EPD Consultant

Verification based on report: Validation of CO<sub>2</sub> calculation of 9 categories of Kompan product line, version 1.0, prepared by: Bureau Veritas HSE, Denmark: Julie M. V. Larsen.

**Publication date: 30. October 2023**

By Bureau Veritas HSE  
 www.bureauveritas.dk  
 +45 7731 1000

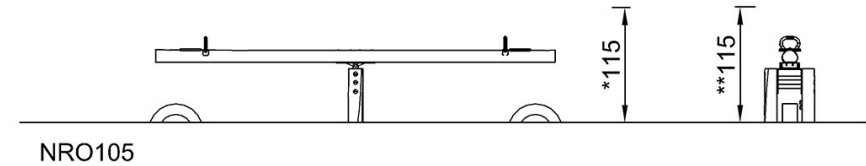
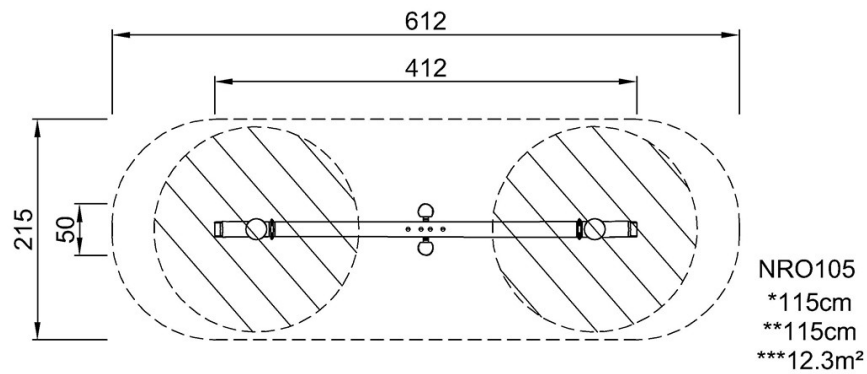


# Entry Seesaw, 2 Persons

NRO105

\* Max fall height | \*\* Total height | \*\*\* Safety surfacing area

\* Max fall height | \*\* Total height



[Click to see TOP VIEW](#)

[Click to see SIDE VIEW](#)