

Carousel with Seats

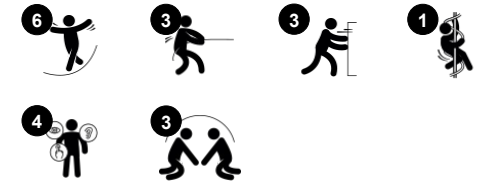
NRO120



Item no. NRO120-0901

General Product Information

| | |
|-----------------------|---------------|
| Dimensions LxWxH | 155x154x81 cm |
| Age group | 3+ |
| Play capacity (users) | 8 |
| Colour options | |



The Carousel with Seats is an attractive playground classic for children and adults alike. With its two seats and spinning option it invites social play and thrill, a winning combination for all play. Children can't get enough of that. The spinning starts by pushing or pulling the carousel into motion from the outside. The circular shape makes room for users both

seated and standing, jumping on and off. Spinning on the carousel trains the vestibular system and the whole sense of balance. This is fundamental for the child's ability to navigate the world securely. It's fundamental for walking, running and being able to sit still and concentrate. When the sense of balance is under-developed, children can focus on

nothing but keeping equilibrium, seated or standing. So the fun of stomach tickling spinning serves a true purpose.



Data is subject to change without prior notice.

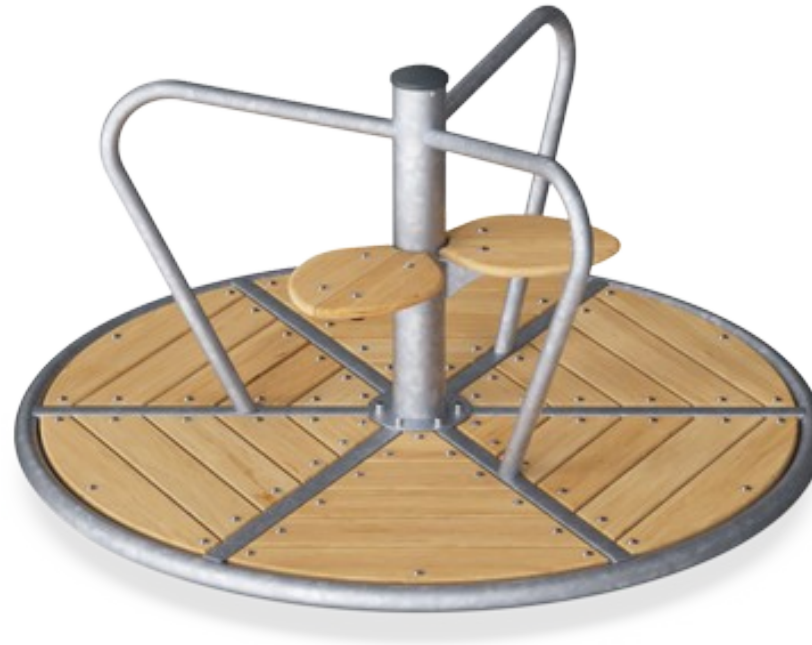
Carousel with Seats

NRO120



Handhold

Physical: the possibility to hold onto more areas of the handhold ensures a good grip, necessary for spinning intensely. This trains the hand and arm muscles.



Rotation

Physical: pushing or pulling it into motion, children use their muscle strength and strengthen their cardio. The rotation develops the sense of balance and space when enjoying the ride. **Social-Emotional:** listening and negotiating how slow or fast to go, children develop their empathy and cooperation skills.



Seat

Social-Emotional: offers a place to sit for the less confident spinners.

Carousel with Seats

NRO120



All Organic Robinia products by KOMPAN are made of Robinia wood from sustainable European sources. On request it can be supplied as FSC® Certified (FSC® C004450).



The steel surfaces are hot dip galvanised inside and outside with lead free zinc. The galvanisation has excellent corrosion resistance in outside environments and requires low maintenance.



Heavy duty engineered bearing system with two single row deep groove high quality ball bearings with rubber seals. The fully closed bearing construction is lifetime lubricated and located above ground.

Item no. NRO120-0901

Installation Information

| | |
|--------------------------|---------------------|
| Max. fall height | 100 cm |
| Safety surfacing area | 24.1 m ² |
| Total installation time | 3.0 |
| Excavation volume | 0.44 m ³ |
| Concrete volume | 0.42 m ³ |
| Footing depth (standard) | 100 cm |
| Shipment weight | 173 kg |
| Anchoring options | In-ground ✓ |

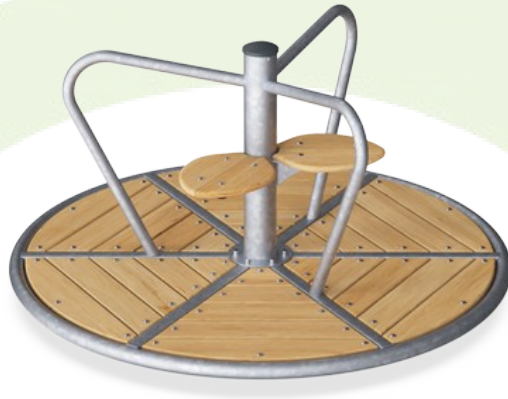
Warranty Information

| | |
|--------------------------|----------|
| Bearing construction | 5 years |
| Hot dip galvanised steel | Lifetime |
| Robinia wood | 15 years |
| Spare parts guaranteed | 10 years |



Sustainability Data

NRO120



| Cradle to Gate A1-A3 | Total CO ₂ emission | CO ₂ e/kg | Recycled materials |
|----------------------|--------------------------------|-------------------------|--------------------|
| | kg CO ₂ e | kg CO ₂ e/kg | % |
| NRO120-0901 | 335.57 | 2.31 | 41.38 |

The overall framework applied for these factors is the Environmental Product Declaration (EPD), which quantifies "environmental information on the life cycle of a product and enable comparisons between products fulfilling the same function" (ISO, 2006). This follows the structure and applies a Life-Cycle Assessment approach to the entire Product stage from raw material through manufacturing (A1-A3))

Kompan A/S
 C.F. Tietgens Boulevard 32C
 DK-5220 Odense SØ
 Denmark



Verification of CO₂ calculation of: Nature play



Data version no. 2023-10-05

The CO₂ calculation and data are in compliance with the principles of a carbon footprint impact according to the GHG protocol (Greenhouse Gas Protocol), Scope 3, cradle to gate related to all individual components in the product category: "Nature play" represented by item no.: NRO409-0621.

(Scope 3 emissions include emission sources in the upstream and downstream value chain).

Date: 30. October 2023 | Valid until: 30. October 2025

Verified by:

Julie Marie Vejsgaard Larsen, LCA & EPD Consultant

Verification based on report: Validation of CO₂ calculation of 9 categories of Kompan product line, version 1.0, prepared by: Bureau Veritas HSE, Denmark: Julie M. V. Larsen.

Publication date: 30. October 2023

By Bureau Veritas HSE
 www.bureauveritas.dk
 +45 7731 1000

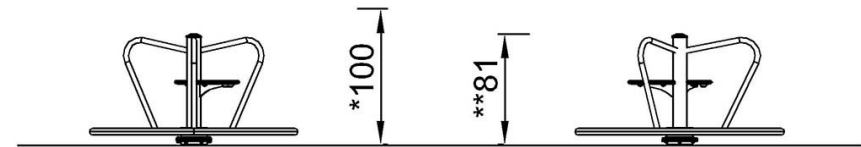
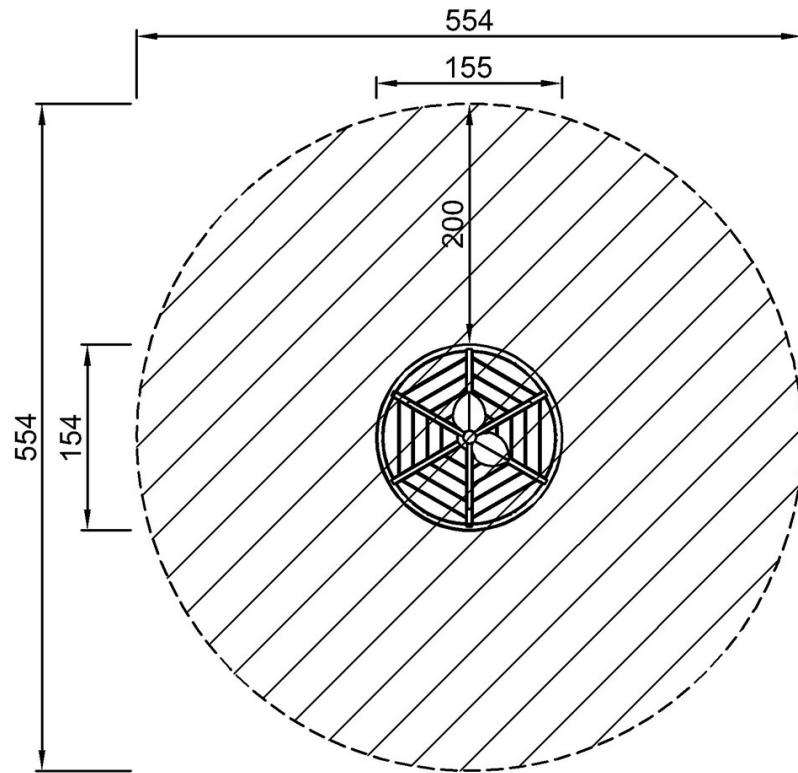


Carousel with Seats

NRO120

* Max fall height | ** Total height | *** Safety surfacing area

* Max fall height | ** Total height



NRO120

NRO120
*100cm
**81cm
***24.1m²

[Click to see TOP VIEW](#)

[Click to see SIDE VIEW](#)