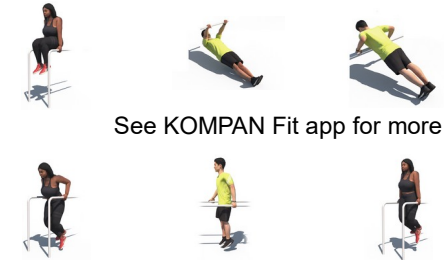


# Inclusive Parallel Bars

FSW245



Item no. FSW24500-0902	
<b>General Product Information</b>	
Dimensions LxWxH	197x178x99 cm
Age group	13+
Play capacity (users)	2
Colour options	



See KOMPAN Fit app for more



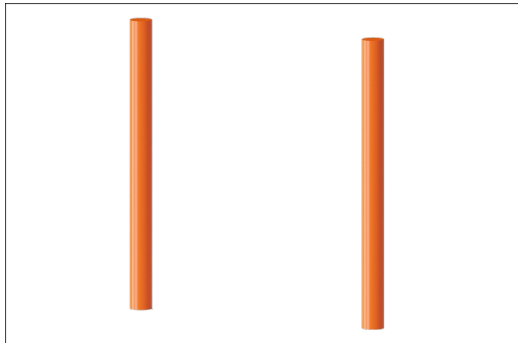
The Inclusive Parallel Bars are designed with accessibility in mind, featuring a standard set and a wider set of bars to accommodate wheelchair users, thanks to the overhanging design that provides ample space. These bars offer a range of exercise possibilities, suitable for both rehabilitation and athletic training, making this item an excellent addition to any

fitness facility looking to enhance inclusivity.



# Inclusive Parallel Bars

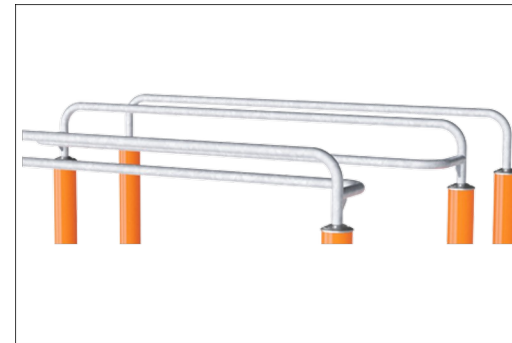
FSW245



The Steel posts are made of Ø101,6x2,0mm pre-galvanized steel tube. The posts are powder coated, corrosion class C3 according to ISO12944-2.



The inclusive parallel bar is wheelchair accessible and all individuals with a minimum height of 140 cm must be able to use the product without compromising their normal posture.



Bars intended as grips during exercises are made of hot-dip galvanised steel ø38mm. A great diameter to support the wrist when doing dips or handstands.

Item no. FSW24500-0902

### Installation Information

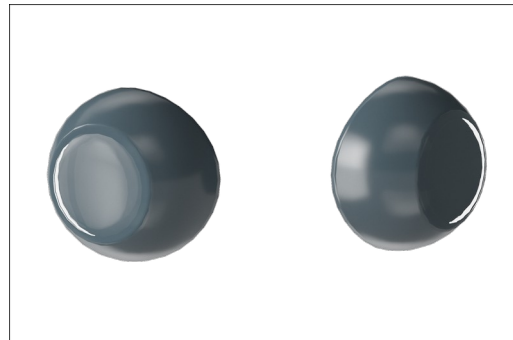
Max. fall height	99 cm
Safety surfacing area	21.8 m <sup>2</sup>
Total installation time	3.3
Excavation volume	0.38 m <sup>3</sup>
Concrete volume	0.21 m <sup>3</sup>
Footing depth (standard)	90 cm
Shipment weight	148 kg
Anchoring options	In-ground ✓ Surface ✓

### Warranty Information

Galvanised Steel	Lifetime
Spare Parts Guarantee	10 years
Steel Frame	10 years



The product must feature an information sign with related exercises, and each exercise must feature a QR code linking to its related exercise portal in an app that offers support on the specific exercise. The sign must additionally offer a QR code for downloading the app.



The post top and do-nuts are made from polyamide PA6 nylon.

**EN**  
**16630**  
compliant

# Sustainability Data

FSW245



Cradle to Gate A1-A3	Total CO <sub>2</sub> emission	CO <sub>2</sub> e/kg	Recycled materials
	kg CO <sub>2</sub> e	kg CO <sub>2</sub> e/kg	%
<b>FSW24500-0902</b>	206.74	2.12	63.20

The overall framework applied for these factors is the Environmental Product Declaration (EPD), which quantifies "environmental information on the life cycle of a product and enable comparisons between products fulfilling the same function" (ISO, 2006). This follows the structure and applies a Life-Cycle Assessment approach to the entire Product stage from raw material through manufacturing (A1-A3))

**Kompan A/S**  
C.F. Tietgens Boulevard 32C  
DK-5220 Odense SØ  
Denmark



## Verification of CO<sub>2</sub> calculation of: Fitness



Data version no. 2023-10-05

The CO<sub>2</sub> calculation and data are in compliance with the principles of a carbon footprint impact according to the GHG protocol (Greenhouse Gas Protocol), Scope 3, cradle to gate related to all individual components in the product category: "Fitness" represented by item no.: FAZ10100-0900.

(Scope 3 emissions include emission sources in the upstream and downstream value chain).

**Date: 30. October 2023 | Valid until: 30. October 2025**

Verified by:

Julie Marie Vejsgaard Larsen, LCA & EPD Consultant

Verification based on report: Validation of CO<sub>2</sub> calculation of 9 categories of Kompan product line, version 1.0, prepared by: Bureau Veritas HSE, Denmark: Julie M. V. Larsen.

**Publication date: 30. October 2023**

By Bureau Veritas HSE  
www.bureauveritas.dk  
+45 7731 1000

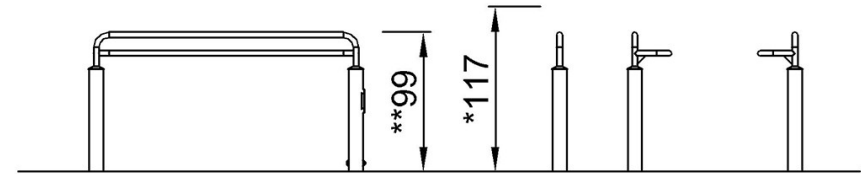
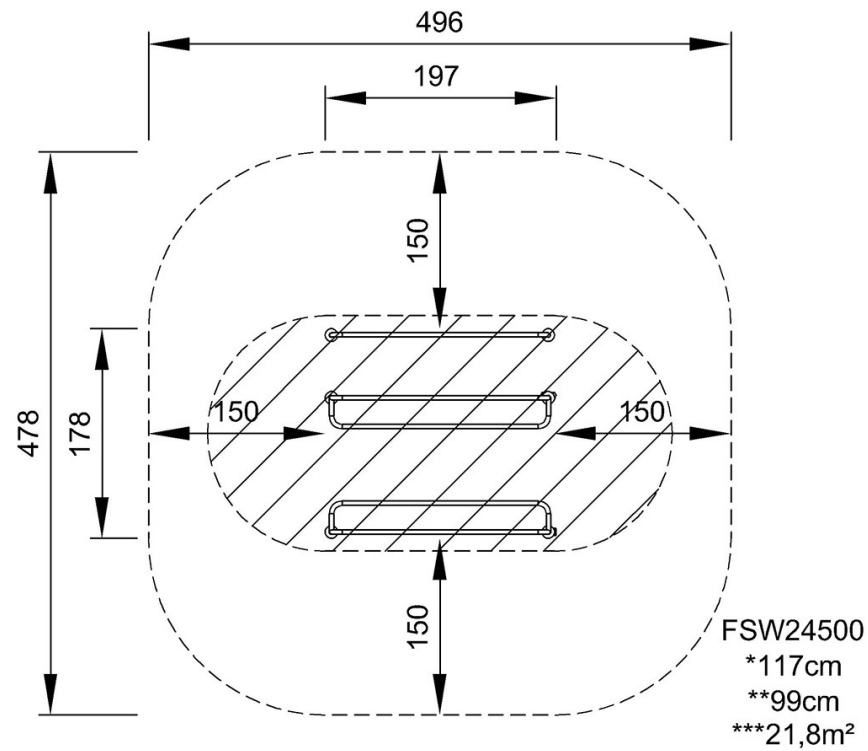


# Inclusive Parallel Bars

FSW245

\* Max fall height | \*\* Total height | \*\*\* Safety surfacing area

\* Max fall height | \*\* Total height



FSW24500

[Click to see TOP VIEW](#)

[Click to see SIDE VIEW](#)