

# Tall Castle, Small

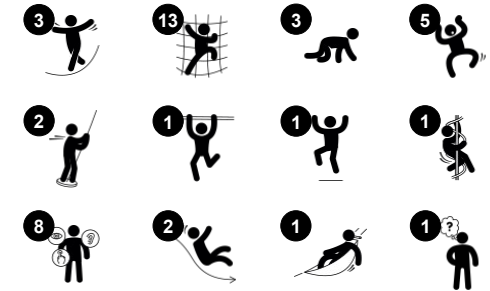
NRO426



Item no. NRO426-1222

## General Product Information

Dimensions LxWxH	1290x902x920 cm
Age group	6+
Play capacity (users)	40
Colour options	



What child doesn't want to have a real castle to visit and play on? This is an amazing design for young princes, princesses, knights, and would-be bandits! The Tall Castle allows for a range of ages to play together and invites the whole family for a royal play day. It has ground and elevated level play areas, barred windows, and cannons, just like a real castle. There are the

climbing wall and monkey bars for adventurous play, and two giant tube slides. All of this on a colourful, organic timber structure. The Robinia timber is durable, natural and gives children a nature inspired theme that can blend into, or stand out from your surrounding landscape.

# Tall Castle, Small

NRO426



## Cannon

**Cognitive:** the cannon set a tangible theme and thus spur dramatic play. Dramatic play supports language and communication skills.



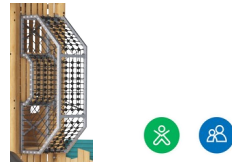
## Long tube slide

**Physical:** sliding develops spatial awareness and the sense of balance. **Social-Emotional:** height ensures extra speed and thrill. Stimulates empathy by turn-taking and consideration of others.



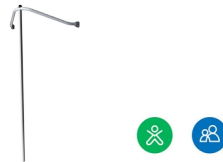
## Balcony

**Social-Emotional:** the balcony invites meetings and interaction with people on ground level.



## Wire frame tunnel

**Physical:** the steep climb in open space trains spatial awareness, cross coordination and muscle strength. **Social-Emotional:** sense of height and thrill, turn-taking and consideration of others.



## Fireman's pole

**Physical:** supports coordination, arm and core muscles. Landing strengthens bone density. **Social-Emotional:** turn-taking and risk-taking.



## Hammock

**Physical:** coordination and sense of balance when swaying. **Social-Emotional:** meeting, pushing friends gently back and forth, turn-taking.



## Rock climber

**Physical:** supports cross coordination and leg, arm and hand strength. The hand-holds on top ease entry into platform. **Social-Emotional:** the inclination makes climbing feel secure, especially for younger children.

# Tall Castle, Small

NRO426



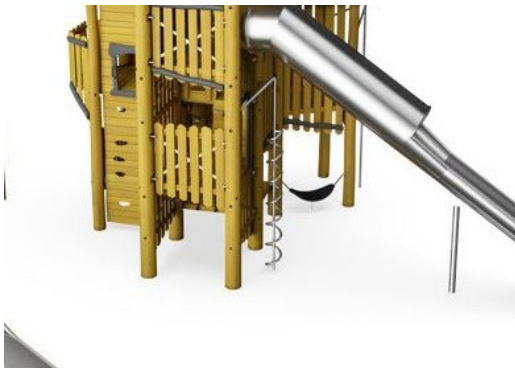
All organic Robinia products by KOMPAN are made of Robinia wood which is sourced from sustainable plantation farms. On request it can be supplied as FSC® Certified (FSC® C004450).



The paint used for coloured components is water-based, which is environmentally friendly and has excellent UV resistance. The paint is compliant with Australian Standards.



The Robinia products come in a number of standard colour options. The wood can also be supplied as untreated or with brown painted with a pigment that maintains the wood colour.



Activities are made of high-quality stainless steel which is cleaned by a total pickling process after manufacturing to ensure a smooth and clean gliding surface.



Curved and straight stainless-steel tunnel slides are supported by multiple steel rods to a centre steel post. KOMPAN tunnel slides have been designed with a perfect curve and inclination for a playful ride.



The wireframe tunnel is made from hot-dip galvanised high-quality steel. Corocord 16mm ropes are special 'Hercules'-type with galvanised four-stranded steel wires and a steel wire core. Each strand is tightly wrapped with PES yarn, which is then melted onto each individual strand.

Item no. NRO426-1222

### Installation Information

Max. fall height	246 cm
Safety surfacing area	109.0 m <sup>2</sup>
Total installation time	96.4
Excavation volume	24.67 m <sup>3</sup>
Concrete volume	12.55 m <sup>3</sup>
Footing depth (standard)	120 cm
Shipment weight	5,500 kg
Anchoring options	In-ground ✓

### Warranty Information

Galvanised Steel	Lifetime
Robinia Wood	15 years
Spare Parts Guarantee	10 years
Stainless Steel Components	Lifetime
Stainless Steel Slide	10 years

**AS**  
**4685**  
compliant

# Sustainability Data

NRO426



Cradle to Gate A1-A3	Total CO <sub>2</sub> emission	CO <sub>2</sub> e/kg	Recycled materials
	kg CO <sub>2</sub> e	kg CO <sub>2</sub> e/kg	%
<b>NRO426-1222</b>	0.00	0.00	0.00

The overall framework applied for these factors is the Environmental Product Declaration (EPD), which quantifies "environmental information on the life cycle of a product and enable comparisons between products fulfilling the same function" (ISO, 2006). This follows the structure and applies a Life-Cycle Assessment approach to the entire Product stage from raw material through manufacturing (A1-A3))

**Kompan A/S**  
 C.F. Tietgens Boulevard 32C  
 DK-5220 Odense SØ  
 Denmark



## Verification of CO<sub>2</sub> calculation of: Nature play



Data version no. 2023-10-05

The CO<sub>2</sub> calculation and data are in compliance with the principles of a carbon footprint impact according to the GHG protocol (Greenhouse Gas Protocol), Scope 3, cradle to gate related to all individual components in the product category: "Nature play" represented by item no.: NRO409-0621.

(Scope 3 emissions include emission sources in the upstream and downstream value chain).

**Date: 30. October 2023 | Valid until: 30. October 2025**

Verified by:

Julie Marie Vejsgaard Larsen, LCA & EPD Consultant

Verification based on report: Validation of CO<sub>2</sub> calculation of 9 categories of Kompan product line, version 1.0, prepared by: Bureau Veritas HSE, Denmark: Julie M. V. Larsen.

**Publication date: 30. October 2023**

By Bureau Veritas HSE  
 www.bureauveritas.dk  
 +45 7731 1000

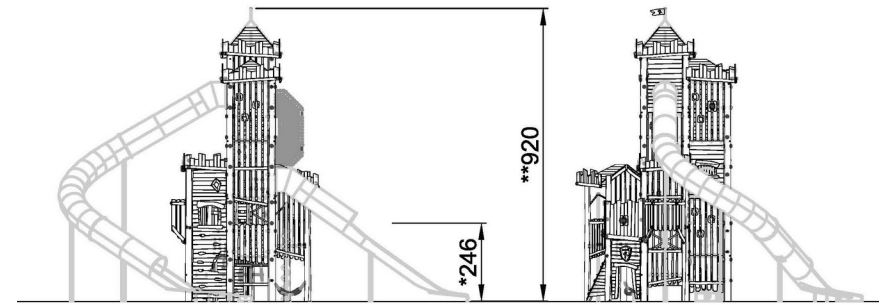
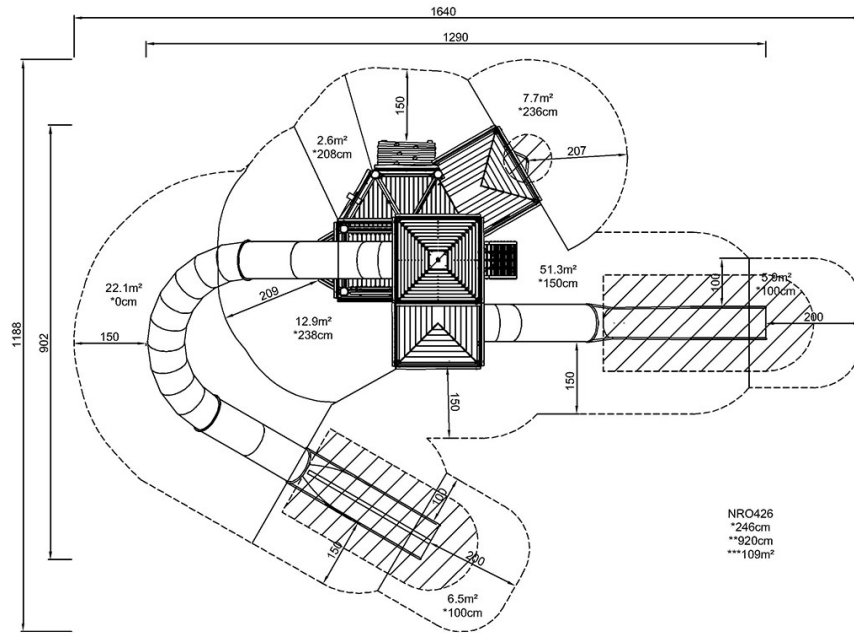


# Tall Castle, Small

NRO426

\* Max fall height | \*\* Total height | \*\*\* Safety surfacing area

\* Max fall height | \*\* Total height



NRO426

[Click to see TOP VIEW](#)

[Click to see SIDE VIEW](#)