
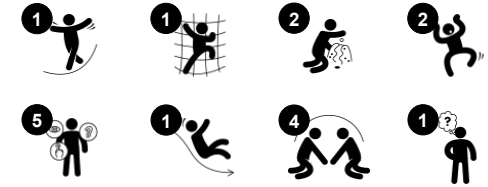


Playhouse Slide

MSC5417



Item no. MSC541701-3417P	
General Product Information	
Dimensions LxWxH	9'1"x6'9"x4'11"
Age group	2 - 5
Play capacity (users)	8
Color options	



Wow! The toddler's castle will immediately attract the youngest children to move their bodies and experience the thrill of crawling or walking up and sliding down. There is thrill built in every step along the way, and stories to be imagined in and around this special structure. This supports longer playtimes that enhance over-all development for children. Walking up

the stairs helps young children to cross-coordinate, which is crucial e.g. for later reading skills. Sliding down is thrill-ing fun and it builds core muscles and a sense of space and balance. These are fundamental motor skills that support the toddler's physical mastery. The richness of sound, touch and socialize-elements invites a play journey: on

the platform a flower window distorts the voice, a learning experience. A table with play ring invites breaks, adding to the socializing.

Playhouse Slide

MSC5417



Slide

Physical: sliding develops spatial awareness and a sense of balance. Furthermore, the core muscles are trained when sitting upright going down. **Social-Emotional:** empathy stimulated by turn-taking. **Cognitive:** young children develop their understanding of space, speed and distances when sliding down quickly.



Stairway

Physical: climbing the stairs supports cross coordination as well as arm and leg muscles. **Social-Emotional:** room for active breaks and adult helpers.



Bubble Window

Social-Emotional: invites interaction between outside and inside. **Cognitive:** distorts the sound of the voice, developing logical thinking.



Desk with ring

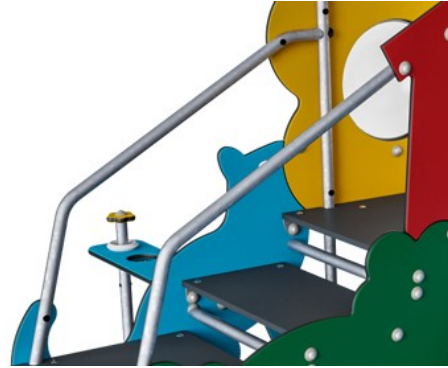
Social-Emotional: a place for meeting and exchanging. **Creative:** sand and construction play encouraged with sieve in desk.

Playhouse Slide

MSC5417



Panels of 19mm EcoCore™. EcoCore™ is a highly durable, eco friendly material, which is not only recyclable after use, but also consists of a core produced from 100% recycled material.



The steel surfaces are hot-dip galvanized inside and outside with lead-free zinc. The galvanization has excellent corrosion resistance in outside environments and requires minimal maintenance.



Platform and seats are made of HPL with a thickness of 17.8mm with a very high wearing strength and a unique KOMPAN nonskid surface texture.

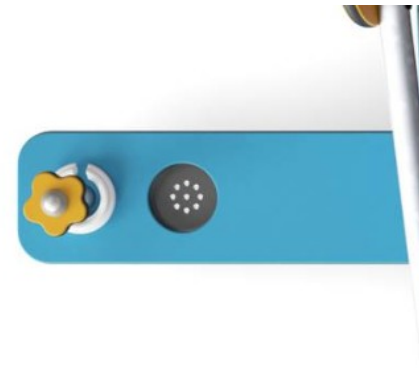
Item no. MSC541701-3417P	
Installation Information	
Max. fall height	2'0"
Safety surfacing area	301ft²
Total installation time	8.9
Excavation volume	0.39yd³
Concrete volume	0yd³
Footing depth (standard)	2'0"
Shipment weight	404lbs
Anchoring options	In-ground ✓ Surface ✓
Warranty Information	
EcoCore HDPE	Lifetime
Hot dip galvanized steel	Lifetime
Movable parts	2 Years
Spare Parts Availability	10 Years



On the side of the wall there is a transparent bubble made from UV-stabilized PC.



The slide bed can be chosen in different materials: Straight molded PE or stainless steel slide bed t=2mm. Sides of the slides are made of EcoCore™.



Sand strainer is made of high-quality stainless steel to ensure durability of the product.

Elevated activities 2	Accessible elevated activities	Accessible ground level activities	Accessible ground level play types
Present	2	1	1
Required	1	1	1



Sustainability Data

MSC5417



Cradle to Gate A1-A3	Total CO ₂ emission	CO ₂ e/kg	Recycled materials
	kg CO ₂ e	kg CO ₂ e/kg	%
MSC541701-3417P	282.59	1.95	54.22

The overall framework applied for these factors is the Environmental Product Declaration (EPD), which quantifies "environmental information on the life cycle of a product and enable comparisons between products fulfilling the same function" (ISO, 2006). This follows the structure and applies a Life-Cycle Assessment approach to the entire Product stage from raw material through manufacturing (A1-A3))

Kompan A/S
 C.F. Tietgens Boulevard 32C
 DK-5220 Odense SØ
 Denmark



Verification of CO₂ calculation of: Themed play systems



Data version no. 2023-10-05

The CO₂ calculation and data are in compliance with the principles of a carbon footprint impact according to the GHG protocol (Greenhouse Gas Protocol), Scope 3, cradle to gate related to all individual components in the product category: "Themed play systems" represented by item no.: MSC641100-3717P.

(Scope 3 emissions include emission sources in the upstream and downstream value chain).

Date: 30. October 2023 | Valid until: 30. October 2025

Verified by:

Julie Marie Vejsgaard Larsen, LCA & EPD Consultant

Verification based on report: Validation of CO₂ calculation of 9 categories of Kompan product line, version 1.0, prepared by: Bureau Veritas HSE, Denmark: Julie M. V. Larsen.

Publication date: 30. October 2023

By Bureau Veritas HSE
 www.bureauveritas.dk
 +45 7731 1000

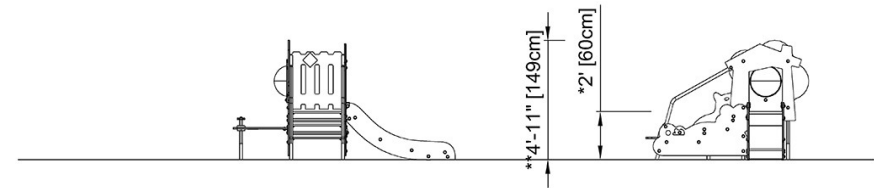
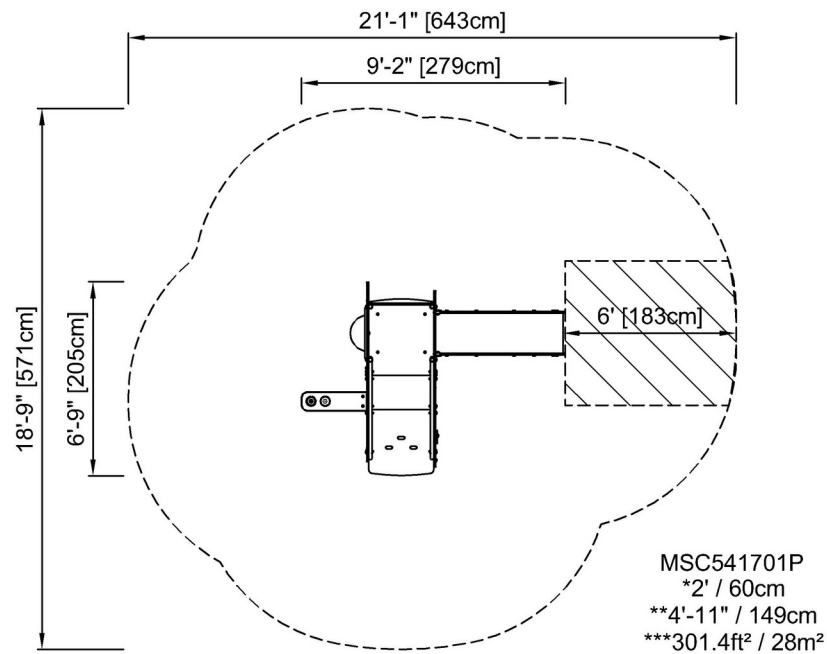


Playhouse Slide

MSC5417

* Max fall height | ** Total height | *** Safety surfacing area

* Max fall height | ** Total height



MSC541701P

[Click to see TOP VIEW](#)

[Click to see SIDE VIEW](#)